

2370765-1 ✓ ACTIVE

ELCON | ELCON Mini

TE Internal #: 2370765-1

ELCON MINI Cable Assembly, .18 ft [.25 m], 5.26 mm<sup>2</sup>, Black Cable, Double Ended, ELCON MINI Receptacle, ELCON MINI Receptacle, LCP, Black End A

[View on TE.com >](#)



Cable Assemblies > Copper Cable Assemblies > Power Cable Assemblies



Cable Assembly Configuration: **Double Ended**

Wire Size: **5.26 mm<sup>2</sup>**

Cable Assembly Length: **.25 m [.18 ft]**

Cable Color: **Black**

Operating Temperature Range: **-40 – 105 °C**

## Features

### Product Type Features

Cable Assembly Category	Power
Cable Assembly Type	ELCON MINI
Connector Type (End A)	ELCON MINI Receptacle
Connector Type (End B)	ELCON MINI Receptacle

### Configuration Features

Number of Power Positions	6
Number of Rows	2
Number of Positions	6

### Body Features

Cable Flammability Rating	VW-1
Cable Color	Black
Connector Color (End A)	Black
Connector Color (End B)	Black

### Contact Features

Contact Base Material	Copper Iron Alloy
-----------------------	-------------------

### Mechanical Attachment

Strain Relief	Without
---------------	---------



### Housing Features

Housing Material	LCP
------------------	-----

### Dimensions

Wire Size	10 AWG
-----------	--------

### Usage Conditions

Operating Temperature Range	-40 – 105 °C
-----------------------------	--------------

### Industry Standards

UL Flammability Rating	UL 94V-0
------------------------	----------

### Other

Cable Assembly Configuration	Double Ended
------------------------------	--------------

Cable Assembly Length	.25 m [.18 ft]
-----------------------	----------------

### Product Compliance

[For compliance documentation, visit the product page on TE.com>](#)


EU RoHS Directive 2011/65/EU	Compliant
EU ELV Directive 2000/53/EC	Compliant
China RoHS 2 Directive MIIT Order No 32, 2016	No Restricted Materials Above Threshold
EU REACH Regulation (EC) No. 1907/2006	Current ECHA Candidate List: JUNE 2023 (235) Candidate List Declared Against: JUNE 2023 (235) Does not contain REACH SVHC
Halogen Content	Not Low Halogen - contains Br or Cl > 900 ppm.
Solder Process Capability	Not reviewed for solder process capability

#### Product Compliance Disclaimer

This information is provided based on reasonable inquiry of our suppliers and represents our current actual knowledge based on the information they provided. This information is subject to change. The part numbers that TE has identified as EU RoHS compliant have a maximum concentration of 0.1% by weight in homogenous materials for lead, hexavalent chromium, mercury, PBB, PBDE, DBP, BBP, DEHP, DIBP, and 0.01% for cadmium, or qualify for an exemption to these limits as defined in the Annexes of Directive 2011/65/EU (RoHS2). Finished electrical and electronic equipment products will be CE marked as required by Directive 2011/65/EU. Components may not be CE marked. Additionally, the part numbers that TE has identified as EU ELV compliant have a maximum concentration of 0.1% by weight in homogenous materials for lead, hexavalent chromium, and mercury, and 0.01% for cadmium, or qualify for an exemption to these limits as defined in the Annexes of Directive 2000/53/EC (ELV). Regarding the REACH Regulation, the information TE provides on SVHC in articles for this part number is based on the latest European Chemicals Agency (ECHA) 'Guidance on requirements for substances in articles' posted at this URL: <https://echa.europa.eu/guidance-documents/guidance-on-reach>



## Compatible Parts




TE Part # 2204535-4  
ELCON MINI 2X3P STACKED RA  
HEADER,SOLDER




TE Part # 2204581-3  
ELCON MINI 3P RA HEADER,PRESS-  
FIT,STD


## Also in the Series | ELCON Mini



Insertion & Extraction Tools(1)



Power Cable Assemblies(6)



Rectangular Power Connectors(32)

## Customers Also Bought



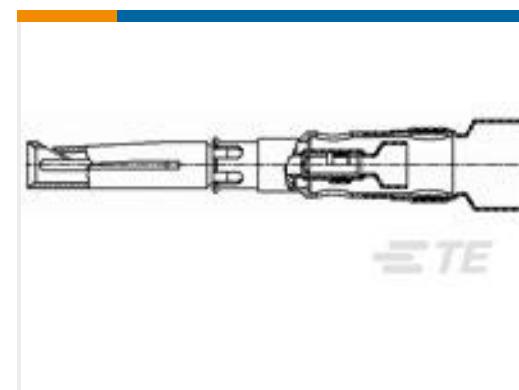
TE Part #YD369-R66-AP000000  
369 6 WAY REC, NO CONTACTS, PIN



TE Part #YDTS24W09-35BN0000  
JAM NUT RECEPTACLE



TE Part #5470254010  
CONVOLEX-5/8-0-SP



TE Part #753403-000  
D-602-0153



TE Part #ZPF000000000007795  
983-0WS 20-25 SN-L



TE Part #ZPF000000000008258  
983-6KE 16-24 PN-L



TE Part #840443-000  
B-020-42-04



TE Part #709046-000  
B-040-22-03

## Documents

### Product Drawings

[Cable Assy, 2x3 ELCON Mini to 3Pos ELCON](#)

English

### CAD Files



**3D PDF**

3D

**Customer View Model**

[ENG\\_CVM\\_CVM\\_2370765-1\\_A.2d\\_dxf.zip](#)

English

**Customer View Model**

[ENG\\_CVM\\_CVM\\_2370765-1\\_A.3d\\_igs.zip](#)

English

**Customer View Model**

[ENG\\_CVM\\_CVM\\_2370765-1\\_A.3d\\_stp.zip](#)

English

By downloading the CAD file I accept and agree to the [Terms and Conditions](#) of use.