



TE Internal #: 2364151-1  
 Industrial Mini I/O Connectors, SPE T1 Industrial, Standard  
 Connector Contact Density, Jack, Shielded, SPE (Single Pair  
 Ethernet), Cable-to-Board

[View on TE.com >](#)

Connectors > Modular Jacks & Plugs > Industrial Mini I/O Connectors



Modular Jacks & Plugs Products: **SPE T1 Industrial**

Connector Contact Density: **Standard**

Modular Connector Style: **Jack**

Shielded: **Yes**

Performance Category: **SPE (Single Pair Ethernet)**

## Features

### Product Type Features

|                                   |                       |
|-----------------------------------|-----------------------|
| Connector Product Type            | Connector Assembly    |
| Modular Jacks & Plugs Products    | SPE T1 Industrial     |
| Modular Connector Style           | Jack                  |
| Connector System                  | Cable-to-Board        |
| Connector & Contact Terminates To | Printed Circuit Board |

### Configuration Features

|                            |             |
|----------------------------|-------------|
| Port Matrix Configuration  | 1 x 1       |
| Connector Contact Density  | Standard    |
| Number of Positions        | 2           |
| PCB Mount Orientation      | Right Angle |
| Number of Loaded Positions | 2           |

### Signal Characteristics

|           |           |
|-----------|-----------|
| Data Rate | 1000 Mb/s |
|-----------|-----------|

### Body Features

|  |  |
|--|--|
|  |  |
|--|--|



|                 |                 |
|-----------------|-----------------|
| Shield Material | Stainless Steel |
|-----------------|-----------------|

|                         |                 |
|-------------------------|-----------------|
| Shield Plating Material | Tin over Nickel |
|-------------------------|-----------------|

### Contact Features

|                                      |                                  |
|--------------------------------------|----------------------------------|
| Contact Mating Area Plating Material | Gold Flash over Palladium Nickel |
|--------------------------------------|----------------------------------|

|                               |        |
|-------------------------------|--------|
| Contact Underplating Material | Nickel |
|-------------------------------|--------|

|                       |              |
|-----------------------|--------------|
| Contact Base Material | Copper Alloy |
|-----------------------|--------------|

|                              |     |
|------------------------------|-----|
| Contact Current Rating (Max) | 4 A |
|------------------------------|-----|

### Termination Features

|   |                       |
|---|-----------------------|
| Termination Method to Printed Circuit Board | Through Hole - Solder |
|---|-----------------------|

### Mechanical Attachment

|                       |       |
|-----------------------|-------|
| Mating Alignment Type | Latch |
|-----------------------|-------|

|                  |      |
|------------------|------|
| Mating Alignment | With |
|------------------|------|

|                     |         |
|---------------------|---------|
| Panel Mount Feature | Without |
|---------------------|---------|

|                          |             |
|--------------------------|-------------|
| PCB Mount Retention Type | Solder Tail |
|--------------------------|-------------|

|                         |             |
|-------------------------|-------------|
| Connector Mounting Type | Board Mount |
|-------------------------|-------------|

### Housing Features

|               |       |
|---------------|-------|
| Housing Color | Black |
|---------------|-------|

|                  |    |
|------------------|----|
| Housing Material | PA |
|------------------|----|

|                    |                |
|--------------------|----------------|
| Centerline (Pitch) | 2.8 mm[.11 in] |
|--------------------|----------------|

### Usage Conditions

|                             |                           |
|-----------------------------|---------------------------|
| Operating Temperature Range | -40 – 80 °C[-40 – 176 °F] |
|-----------------------------|---------------------------|

### Operation/Application

|          |     |
|----------|-----|
| Shielded | Yes |
|----------|-----|

|                     |                |
|---------------------|----------------|
| Circuit Application | Power & Signal |
|---------------------|----------------|

### Industry Standards

|                        |          |
|------------------------|----------|
| UL Flammability Rating | UL 94V-0 |
|------------------------|----------|

|                      |                            |
|----------------------|----------------------------|
| Performance Category | SPE (Single Pair Ethernet) |
|----------------------|----------------------------|

### Packaging Features

|                    |     |
|--------------------|-----|
| Packaging Quantity | 800 |
|--------------------|-----|

|                  |            |
|------------------|------------|
| Packaging Method | Reel & Box |
|------------------|------------|

### Other



|                   |    |
|-------------------|----|
| Field Serviceable | No |
|-------------------|----|

### Product Compliance

[For compliance documentation, visit the product page on TE.com>](#)

|   |   |
|---|---|
| EU RoHS Directive 2011/65/EU                  | Compliant   |
| EU ELV Directive 2000/53/EC                   | Not Yet Reviewed  |
| China RoHS 2 Directive MIIT Order No 32, 2016 | No Restricted Materials Above Threshold   |
| EU REACH Regulation (EC) No. 1907/2006        | Current ECHA Candidate List: JUNE 2023 (235)<br>Candidate List Declared Against: JUNE 2023 (235)<br>Does not contain REACH SVHC |
| Halogen Content                               | Low Halogen - Br, Cl, F, I < 900 ppm per homogenous material. Also BFR/CFR/PVC Free   |
| Solder Process Capability                     | Not reviewed for solder process capability  |

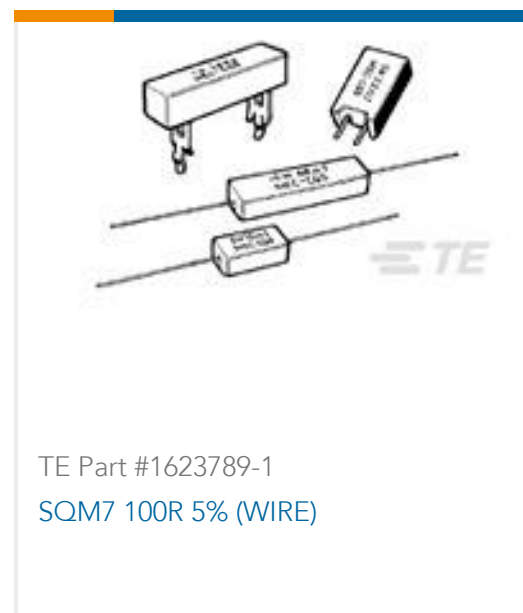
#### Product Compliance Disclaimer

This information is provided based on reasonable inquiry of our suppliers and represents our current actual knowledge based on the information they provided. This information is subject to change. The part numbers that TE has identified as EU RoHS compliant have a maximum concentration of 0.1% by weight in homogenous materials for lead, hexavalent chromium, mercury, PBB, PBDE, DBP, BBP, DEHP, DIBP, and 0.01% for cadmium, or qualify for an exemption to these limits as defined in the Annexes of Directive 2011/65/EU (RoHS2). Finished electrical and electronic equipment products will be CE marked as required by Directive 2011/65/EU. Components may not be CE marked. Additionally, the part numbers that TE has identified as EU ELV compliant have a maximum concentration of 0.1% by weight in homogenous materials for lead, hexavalent chromium, and mercury, and 0.01% for cadmium, or qualify for an exemption to these limits as defined in the Annexes of Directive 2000/53/EC (ELV). Regarding the REACH Regulation, the information TE provides on SVHC in articles for this part number is based on the latest European Chemicals Agency (ECHA) 'Guidance on requirements for substances in articles' posted at this URL: <https://echa.europa.eu/guidance-documents/guidance-on-reach>

### Compatible Parts



### Customers Also Bought



## Documents

### Product Drawings

[SPE T1 Industrial RA JACK IP20](#)

English

### CAD Files

[3D PDF](#)

3D

Customer View Model

[ENG\\_CVM\\_CVM\\_2364151-1\\_1.2d\\_dxf.zip](#)

English

Customer View Model

[ENG\\_CVM\\_CVM\\_2364151-1\\_1.3d\\_igs.zip](#)

English

Customer View Model

[ENG\\_CVM\\_CVM\\_2364151-1\\_1.3d\\_stp.zip](#)

English

By downloading the CAD file I accept and agree to the [Terms and Conditions](#) of use.

### Product Specifications



## Application Specification

English