

2358801-1 ✓ ACTIVE

AMP | LEAVYSEAL

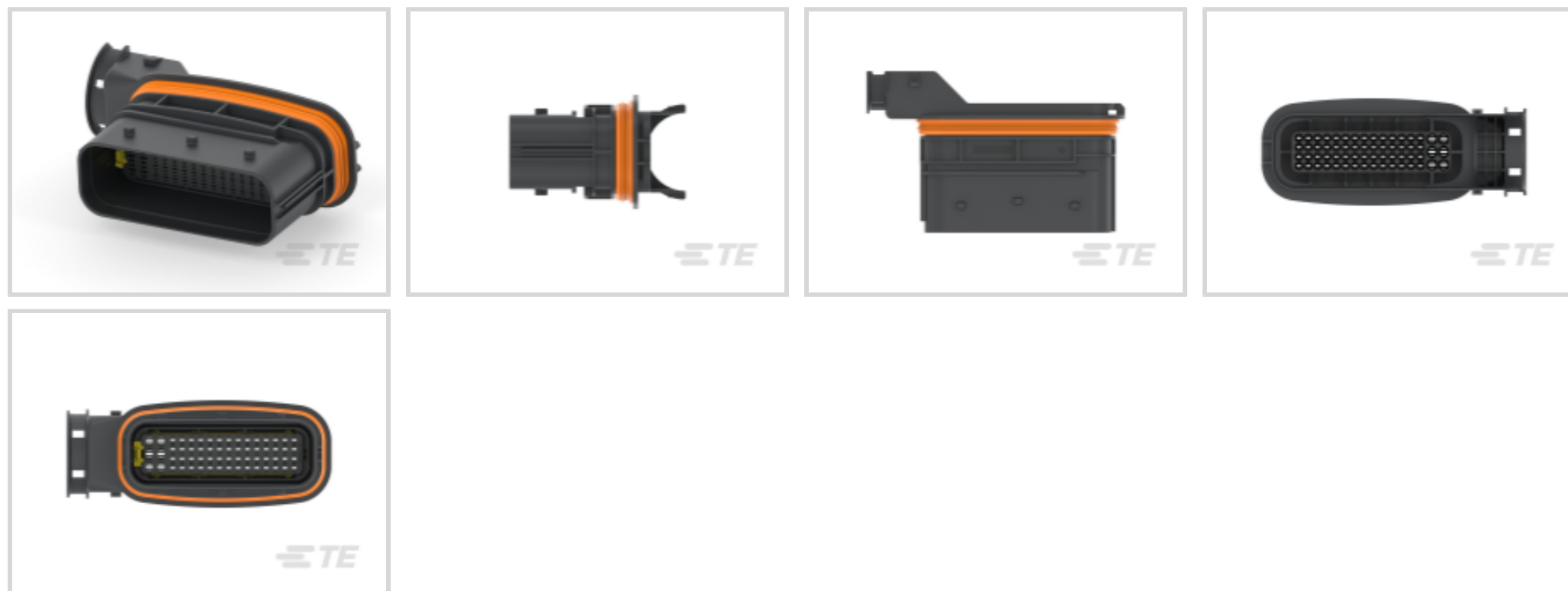
TE Internal #: 2358801-1

Housing for Male Terminals, Wire-to-Wire, 62 Position, .197 in / .157 in [4 mm / 5 mm] Centerline, Sealable, Black, Signal, LEAVYSEAL

[View on TE.com >](#)



Connectors > Automotive Connectors > Automotive Housings



Connector System: **Wire-to-Wire**

Number of Positions: **62**

Connector & Housing Type: **Housing for Male Terminals**

Centerline (Pitch): **4 mm, 5 mm [.157 in, .197 in]**

Sealable: **Yes**

Features

Product Type Features

Mixed & Hybrid Connector	Yes
Connector Shape	Rectangular
Connector System	Wire-to-Wire
Connector & Housing Type	Housing for Male Terminals
Sealable	Yes
Primary Locking Feature	On the Terminal

Configuration Features

Number of Positions	62
Number of Rows	3

Electrical Characteristics

Operating Voltage	36 VDC
Nominal Voltage Architecture	12 V, 24 V

Body Features

Cable Exit Angle	90°
------------------	-----



Primary Product Color	Black
-----------------------	-------

Connector & Keying Code	A
-------------------------	---

Contact Features

Contact Size	1.5mm, 2.8mm
--------------	--------------

Contact Type	Tab
--------------	-----

Mating Tab Width	1.5 mm, 2.8 mm [.059 in][.11 in]
------------------	----------------------------------

Mechanical Attachment

Terminal Position Assurance	Yes
-----------------------------	-----

Strain Relief	With
---------------	------

Mating Alignment Type	Keyed
-----------------------	-------

Mating Alignment	With
------------------	------

Connector Mounting Type	Cable Mount (Free-Hanging)
-------------------------	----------------------------

Housing Features

Housing Material	PBT GF
------------------	--------

Centerline (Pitch)	4 mm, 5 mm [.157 in][.197 in]
--------------------	-------------------------------

Dimensions

Connector Height	45.8 mm [1.803 in]
------------------	--------------------

Product Width	70.7 mm [2.783 in]
---------------	--------------------

Product Length	113.25 mm [4.459 in]
----------------	----------------------

Row-to-Row Spacing	5.5 mm, 6.3 mm [.248 in]
--------------------	--------------------------

Usage Conditions

Operating Temperature (Max)	70 °C, 75 °C, 80 °C, 85 °C, 90 °C, 100 °C, 105 °C, 110 °C, 120 °C [158 °F][167 °F][176 °F][185 °F][194 °F][212 °F][221 °F][230 °F][248 °F]
-----------------------------	--

Operating Temperature Range	-40 – 120 °C [-40 – 248 °F]
-----------------------------	-----------------------------

Operation/Application

Circuit Application	Signal
---------------------	--------

Industry Standards

Degree of Protection	IP67, IP69K
----------------------	-------------

UL Flammability Rating	UL 94HB
------------------------	---------

Packaging Features

Packaging Quantity	80
--------------------	----



Packaging Method Box

Other

Serviceable Yes

Connector Position Assurance Capable No

Product Compliance

[For compliance documentation, visit the product page on TE.com>](#)

EU RoHS Directive 2011/65/EU Compliant

EU ELV Directive 2000/53/EC Compliant

China RoHS 2 Directive MIIT Order No 32, 2016 No Restricted Materials Above Threshold

EU REACH Regulation (EC) No. 1907/2006 Current ECHA Candidate List: JUNE 2023 (235)
Candidate List Declared Against: JAN 2023 (233)
Does not contain REACH SVHC

Halogen Content Low Halogen - Br, Cl, F, I < 900 ppm per homogenous material. Also BFR/CFR/PVC Free

Solder Process Capability Not reviewed for solder process capability

Product Compliance Disclaimer

This information is provided based on reasonable inquiry of our suppliers and represents our current actual knowledge based on the information they provided. This information is subject to change. The part numbers that TE has identified as EU RoHS compliant have a maximum concentration of 0.1% by weight in homogenous materials for lead, hexavalent chromium, mercury, PBB, PBDE, DBP, BBP, DEHP, DIBP, and 0.01% for cadmium, or qualify for an exemption to these limits as defined in the Annexes of Directive 2011/65/EU (RoHS2). Finished electrical and electronic equipment products will be CE marked as required by Directive 2011/65/EU. Components may not be CE marked. Additionally, the part numbers that TE has identified as EU ELV compliant have a maximum concentration of 0.1% by weight in homogenous materials for lead, hexavalent chromium, and mercury, and 0.01% for cadmium, or qualify for an exemption to these limits as defined in the Annexes of Directive 2000/53/EC (ELV). Regarding the REACH Regulation, the information TE provides on SVHC in articles for this part number is based on the latest European Chemicals Agency (ECHA) 'Guidance on requirements for substances in articles' posted at this URL: <https://echa.europa.eu/guidance-documents/guidance-on-reach>

Compatible Parts



Also in the Series | LEAVYSEAL



Automotive Connector Caps & Covers (17)



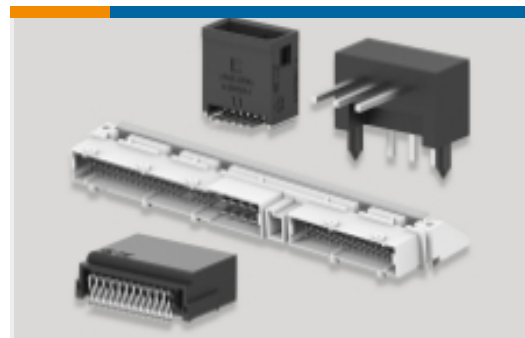
Automotive Housings (79)



Insertion & Extraction Tools (5)



Other Automotive Connector Accessories (15)

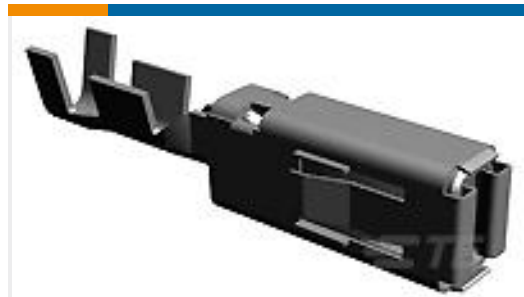


PCB Headers & Receptacles (16)

Customers Also Bought



TE Part #1-1418883-1
62.POS.MIXED REC.HSG



TE Part #1-968853-3
AMP MCP 2.8, CONTACT



TE Part #1-2303812-4
DT04-2P-TE32, REC, 2P, BLK, E, SNAPCAP



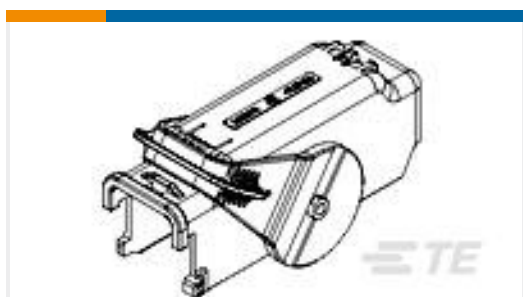
TE Part #4-2103015-5
PLUG SUBASSY, E, HVA280-2PHM F



TE Part #2103157-1
SHIELD, PLUG, SIZE 1, Sn, HVA280



TE Part #1-2377698-1
CHARGING INLET CCS2, CABLE ASSY



TE Part #1801269-2
COVER ASSY, 30 WAY HYBRID CONNECTOR



TE Part #2177786-1
5POS, MIXED,HSG, IEC62196-2 TYPE 2,BK



TE Part #9-2177796-1
O-RING,4x1.5



TE Part #1-2303815-4
DT06-2S-TE32, PLG, 2P, BLK, E, SNAPCAP



Documents

Product Drawings

[62POS,2.8X0.8,TAB HSG ASSY,SLD,COD A](#)

English

CAD Files

[3D PDF](#)

3D

Customer View Model

[ENG_CVM_CVM_2358801-1_A.2d_dxf.zip](#)

English

Customer View Model

[ENG_CVM_CVM_2358801-1_A.3d_igs.zip](#)

English

Customer View Model

[ENG_CVM_CVM_2358801-1_A.3d_stp.zip](#)

English

By downloading the CAD file I accept and agree to the [Terms and Conditions](#) of use.

Product Specifications

[Application Specification](#)

German