



Connectors > Automotive Connectors > Automotive Connector Accessories > Other Automotive Connector Accessories



Automotive Connector Accessory Type: **Flap**

Primary Product Material: **PBT**

Primary Product Color: **Black**

Operating Temperature Range: **-40 – 85 °C [-40 – 85 °F]**

Features

Product Type Features

Automotive Connector Accessory Type	Flap
-------------------------------------	------

Body Features

Primary Product Material	PBT
Primary Product Color	Black

Usage Conditions

Operating Temperature Range	-40 – 85 °C[-40 – 85 °F]
-----------------------------	--------------------------

Industry Standards

Agency/Standard	DIN
UL Flammability Rating	UL 94HB

Packaging Features

Packaging Quantity	60
Packaging Method	Box

Other

Serviceable	No
-------------	----



Product Compliance


[For compliance documentation, visit the product page on TE.com>](#)

EU RoHS Directive 2011/65/EU	Compliant
EU ELV Directive 2000/53/EC	Compliant
China RoHS 2 Directive MIIT Order No 32, 2016	No Restricted Materials Above Threshold
EU REACH Regulation (EC) No. 1907/2006	Current ECHA Candidate List: JUNE 2023 (235) Candidate List Declared Against: JAN 2023 (233) Does not contain REACH SVHC
Halogen Content	Not Yet Reviewed for halogen content
Solder Process Capability	Not reviewed for solder process capability

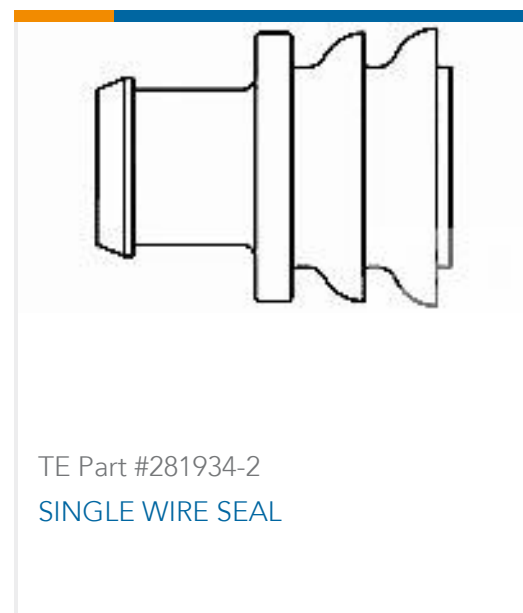
Product Compliance Disclaimer

This information is provided based on reasonable inquiry of our suppliers and represents our current actual knowledge based on the information they provided. This information is subject to change. The part numbers that TE has identified as EU RoHS compliant have a maximum concentration of 0.1% by weight in homogenous materials for lead, hexavalent chromium, mercury, PBB, PBDE, DBP, BBP, DEHP, DIBP, and 0.01% for cadmium, or qualify for an exemption to these limits as defined in the Annexes of Directive 2011/65/EU (RoHS2). Finished electrical and electronic equipment products will be CE marked as required by Directive 2011/65/EU. Components may not be CE marked. Additionally, the part numbers that TE has identified as EU ELV compliant have a maximum concentration of 0.1% by weight in homogenous materials for lead, hexavalent chromium, and mercury, and 0.01% for cadmium, or qualify for an exemption to these limits as defined in the Annexes of Directive 2000/53/EC (ELV). Regarding the REACH Regulation, the information TE provides on SVHC in articles for this part number is based on the latest European Chemicals Agency (ECHA) 'Guidance on requirements for substances in articles' posted at this URL: <https://echa.europa.eu/guidance-documents/guidance-on-reach>

Compatible Parts

 <p>TE Part # 2401362-1 INLET HSG, CCS2 ASSY, W/O LED</p>	<p>TE Part # 2366402-1 COMBO 1,CHARGE INLET ASSY, WITHOUT LED</p>	<p>TE Part # 2377400-1 COMBO 2,CHARGE INLET ASSY, WITHOUT LED</p>
--	---	---

Customers Also Bought



Documents

Product Drawings

FLAP, ASSY, INLET COMBO 2, LEFT

English

CAD Files

Customer View Model

[ENG_CVM_CVM_2358664-2_B.3d_stp.zip](#)

English

Customer View Model

[ENG_CVM_CVM_2358664-2_B.2d_dxf.zip](#)

English

Customer View Model

[ENG_CVM_CVM_2358664-2_B.3d_igs.zip](#)

English

3D PDF

3D

By downloading the CAD file I accept and agree to the [Terms and Conditions](#) of use.

Datasheets & Catalog Pages

ICT CHARGING INLET FLAP ASSEMBLIES

English