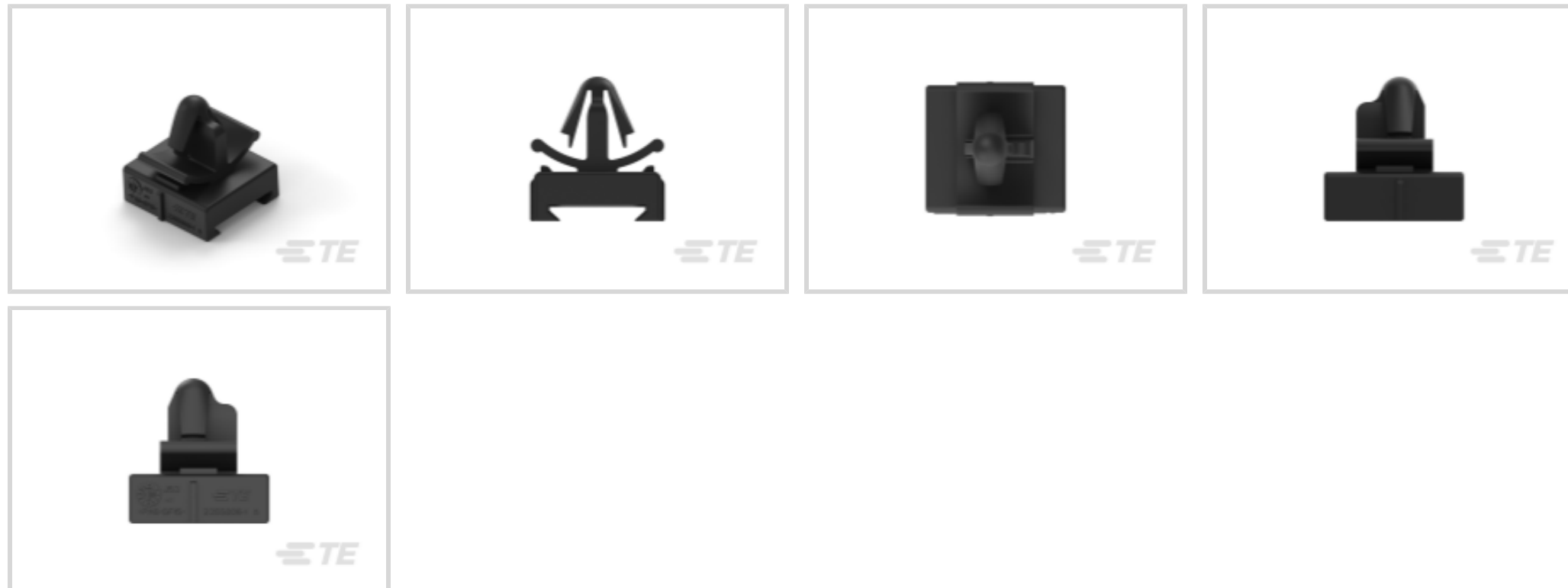




Connectors > Automotive Connectors > Automotive Housings



Primary Product Color: **Black**

Operating Temperature (Max): **125 °C [ 257 °F ]**

Operating Temperature Range: **-40 – 125 °C [ -40 – 257 °F ]**

## Features

### Body Features

Primary Product Color	Black
-----------------------	-------

### Usage Conditions

Operating Temperature (Max)	125 °C[257 °F]
Operating Temperature Range	-40 – 125 °C[-40 – 257 °F]

## Product Compliance





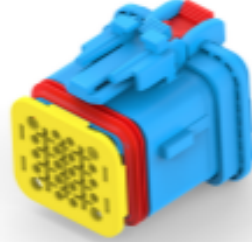


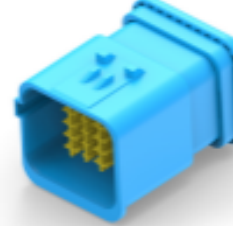
[For compliance documentation, visit the product page on TE.com>](#)

EU RoHS Directive 2011/65/EU	Compliant
EU ELV Directive 2000/53/EC	Compliant
China RoHS 2 Directive MIIT Order No 32, 2016	No Restricted Materials Above Threshold
EU REACH Regulation (EC) No. 1907/2006	Current ECHA Candidate List: JUNE 2023 (235) Candidate List Declared Against: JUNE 2023 (235) Does not contain REACH SVHC
Halogen Content	Low Halogen - Br, Cl, F, I < 900 ppm per homogenous material. Also BFR/CFR/PVC Free
Solder Process Capability	Not reviewed for solder process capability

Product Compliance Disclaimer

This information is provided based on reasonable inquiry of our suppliers and represents our current actual knowledge based on the information they provided. This information is subject to change. The part numbers that TE has identified as EU RoHS compliant have a maximum concentration of 0.1% by weight in homogenous materials for lead, hexavalent chromium, mercury, PBB, PBDE, DBP, BBP, DEHP, DIBP, and 0.01% for cadmium, or qualify for an exemption to these limits as defined in the Annexes of Directive 2011/65/EU (RoHS2). Finished electrical and electronic equipment products will be CE marked as required by Directive 2011/65/EU. Components may not be CE marked. Additionally, the part numbers that TE has identified as EU ELV compliant have a maximum concentration of 0.1% by weight in homogenous materials for lead, hexavalent chromium, and mercury, and 0.01% for cadmium, or qualify for an exemption to these limits as defined in the Annexes of Directive 2000/53/EC (ELV). Regarding the REACH Regulation, the information TE provides on SVHC in articles for this part number is based on the latest European Chemicals Agency (ECHA) 'Guidance on requirements for substances in articles' posted at this URL: <https://echa.europa.eu/guidance-documents/guidance-on-reach>

## Compatible Parts

 <p>TE Part # 1-2350890-1 20POS, HYBRID, SOC HSG ASSY, SLD, COD A</p>	 <p>TE Part # 1-2350890-2 20POS, HYBRID, SOC HSG ASSY, SLD, COD B</p>	 <p>TE Part # 1-2350890-3 20POS, HYBRID, SOC HSG ASSY, SLD, COD C</p>	 <p>TE Part # 1-2350890-4 20POS, HYBRID, SOC HSG ASSY, SLD, COD D</p>
 <p>TE Part # 2350890-1 20POS, HYBRID, SOC HSG ASSY, SLD, COD A</p>	 <p>TE Part # 2350890-2 20POS, HYBRID, SOC HSG ASSY, SLD, COD B</p>	 <p>TE Part # 2350890-3 20POS, HYBRID, SOC HSG ASSY, SLD, COD C</p>	 <p>TE Part # 2350890-4 20POS, HYBRID, SOC HSG ASSY, SLD, COD D</p>
 <p>TE Part # 2350891-1 20POS, HYBRID, PIN HSG ASSY, SLD, COD A</p>	 <p>TE Part # 2350891-2 20POS, HYBRID, PIN HSG ASSY, SLD, COD B</p>	 <p>TE Part # 2350891-3 20POS, HYBRID, PIN HSG, SLD, COD C</p>	 <p>TE Part # 2350891-4 20POS, HYBRID, PIN HSG ASSY, SLD, COD D</p>

Also in the Series | **DEUTSCH NTSEAL**



Automotive Housings(37)



Connector Backshells(5)



Connector Seals & Cavity Plugs(6)



Other Automotive Connector Accessories(1)

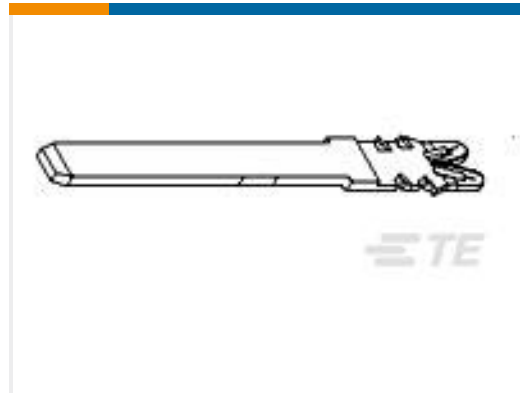
## Customers Also Bought



TE Part #HDP24-24-16PE-L017  
REC, 16P, BLK, E, RNG, 12, P



TE Part #DT06-3S-CP01  
PLG, 3P, BLK, BLOCKED, SEAL RET



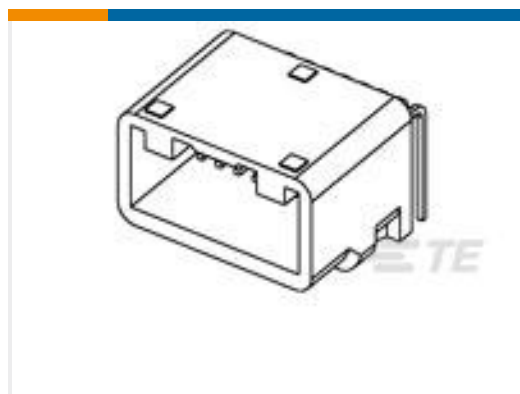
TE Part #1601112-2  
131-187-014=TAB,110X032,STDMSZ



TE Part #DRC26-50S03  
PLG, 50P, BLK, N, 03



TE Part #HD10-9-1939PE-B022  
RECP ASM



TE Part #1-1318382-3  
025 16POS CAP ASSY H SELECTIVE-TIN



TE Part #1411169-3  
2X4UNS INL GET CONN



TE Part #1438299-7  
GET MALE TERM, A, AG



TE Part #1-1703498-1  
2POS, MCON 1.2 LL TAB SEALED  
COD A



TE Part #2350890-2  
20POS, HYBRID, SOC HSG ASSY, SLD,  
COD B

## Documents

### Product Drawings

[CONNECTOR CLIP,CONN KIT](#)

English

### CAD Files

[3D PDF](#)

[3D](#)

[Customer View Model](#)

[ENG\\_CVM\\_CVM\\_2355806-1\\_A.2d\\_dxf.zip](#)



English

Customer View Model

[ENG\\_CVM\\_CVM\\_2355806-1\\_A.3d\\_igs.zip](#)

English

Customer View Model

[ENG\\_CVM\\_CVM\\_2355806-1\\_A.3d\\_stp.zip](#)

English

By downloading the CAD file I accept and agree to the [Terms and Conditions](#) of use.

**Product Specifications**

[Application Specification](#)

English