



Connectors > Modular Jacks & Plugs > RJ45 Connectors



Modular Jack & Plug Interface Type: **Circular RJ45**

Port Configuration: **Single Port**

Modular Jacks & Plugs Products: **RJ Type Jacks & Plugs**

Connector Contact Density: **Standard**

Modular Connector Style: **Receptacle**

## Features

### Product Type Features

Modular Jack & Plug Interface Type	Circular RJ45
Modular Jacks & Plugs Products	RJ Type Jacks & Plugs
Modular Connector Style	Receptacle

### Configuration Features

Status Indicator Type	None
Port Configuration	Single Port
Connector Contact Density	Standard
Number of Positions	8
Number of Loaded Positions	8

### Body Features

Shield Plating Material	Nickel
Shield Material	Brass

### Contact Features

Contact Current Rating (Max)	1.2 A
------------------------------	-------



Contact Mating Area Plating Material	Gold
Contact Base Material	Phosphor Bronze
Contact Mating Area Plating Material Thickness	1.27 $\mu$ m[50 $\mu$ in]

#### Mechanical Attachment

Connector Mounting Type	Panel Mount
-------------------------	-------------

#### Housing Features

Centerline (Pitch)	1.27 mm[.05 in]
Housing Material	PBT

#### Usage Conditions

Operating Temperature Range	-40 – 85 °C[-40 – 185 °F]
-----------------------------	---------------------------

#### Operation/Application

Shielded	Yes
Circuit Application	High Speed Data

#### Industry Standards

IP Rating	IP67
Performance Category	Cat 5e

#### Packaging Features

Packaging Quantity	1
Packaging Method	Bag

#### Product Compliance

[For compliance documentation, visit the product page on TE.com>](#)

EU RoHS Directive 2011/65/EU	Compliant with Exemptions
EU ELV Directive 2000/53/EC	Compliant with Exemptions
China RoHS 2 Directive MIIT Order No 32, 2016	Restricted Materials Above Threshold
EU REACH Regulation (EC) No. 1907/2006	Current ECHA Candidate List: JUNE 2023 (235) Candidate List Declared Against: JUNE 2023 (235) SVHC > Threshold: Pb (.89% in Component Part) <b>Article Safe Usage Statements:</b> Do not eat, drink or smoke when using this product. Wash thoroughly after handling. Recycle if possible and dispose of the article by following all applicable governmental regulations relevant to your geographic location.
Halogen Content	Low Halogen - Br, Cl, F, I < 900 ppm per homogenous material. Also BFR/CFR/PVC

Free

Solder Process Capability

Not reviewed for solder process capability

Product Compliance Disclaimer

This information is provided based on reasonable inquiry of our suppliers and represents our current actual knowledge based on the information they provided. This information is subject to change. The part numbers that TE has identified as EU RoHS compliant have a maximum concentration of 0.1% by weight in homogenous materials for lead, hexavalent chromium, mercury, PBB, PBDE, DBP, BBP, DEHP, DIBP, and 0.01% for cadmium, or qualify for an exemption to these limits as defined in the Annexes of Directive 2011/65/EU (RoHS2). Finished electrical and electronic equipment products will be CE marked as required by Directive 2011/65/EU. Components may not be CE marked. Additionally, the part numbers that TE has identified as EU ELV compliant have a maximum concentration of 0.1% by weight in homogenous materials for lead, hexavalent chromium, and mercury, and 0.01% for cadmium, or qualify for an exemption to these limits as defined in the Annexes of Directive 2000/53/EC (ELV). Regarding the REACH Regulation, the information TE provides on SVHC in articles for this part number is based on the latest European Chemicals Agency (ECHA) 'Guidance on requirements for substances in articles' posted at this URL: <https://echa.europa.eu/guidance-documents/guidance-on-reach>

### Compatible Parts



TE Part # 2008618-2  
Protective Cover Kit



TE Part # 2355444-2  
RJ45 PROTECTION CAP (PBT)



TE Part # 2362632-1  
HEX 32 NUT M28 x 1.5MM



TE Part # 2362760-2  
IDC PLUG, PBT



TE Part # 2008565-2  
PLUG ASSEMBLY LARGE DIA. CABLE

### Customers Also Bought



TE Part #6609066-3  
10AYO1=F7693 S0



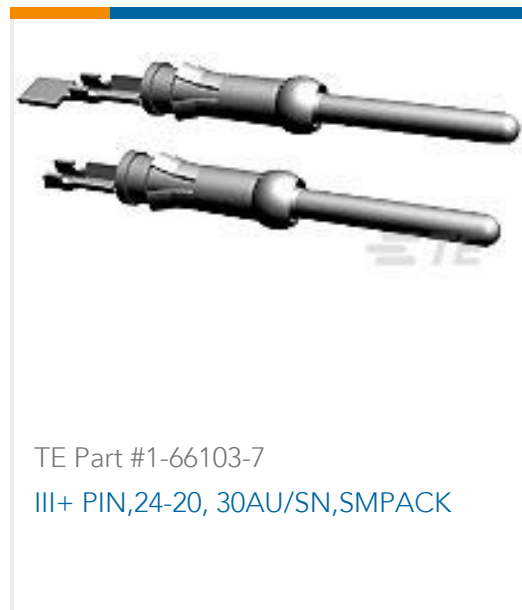
TE Part #1-6609037-5  
20EMC1=F8130



TE Part #66107-4  
III+ PIN,26-24,30AU/FL,LP



TE Part #1217558-2  
250 FASTON,TAB,TPBR



TE Part #1-66103-7  
III+ PIN, 24-20, 30AU/SN, SMPACK



TE Part #8-33465-2  
TERMINAL, SOLIS R 6 1/4



TE Part #DT06-12SB-E008  
PLG, 12P, BLK, N, XCAP, B



TE Part #2355444-1  
RJ45 PROTECTION CAP



TE Part #1478768-1  
ANTI-VIB NYLON GLD 12MM GREY

## Documents

### Product Drawings

[RJ45 CAT5e PANEL MOUNT SOCKET\(PBT\)](#)

English

### CAD Files

[3D PDF](#)

3D

Customer View Model

[ENG\\_CVM\\_CVM\\_2355443-2\\_B.2d\\_dxf.zip](#)

English

Customer View Model

[ENG\\_CVM\\_CVM\\_2355443-2\\_B.3d\\_igs.zip](#)

English

Customer View Model

[ENG\\_CVM\\_CVM\\_2355443-2\\_B.3d\\_stp.zip](#)

English

By downloading the CAD file I accept and agree to the [Terms and Conditions](#) of use.

### Product Specifications

[Application Specification](#)

English