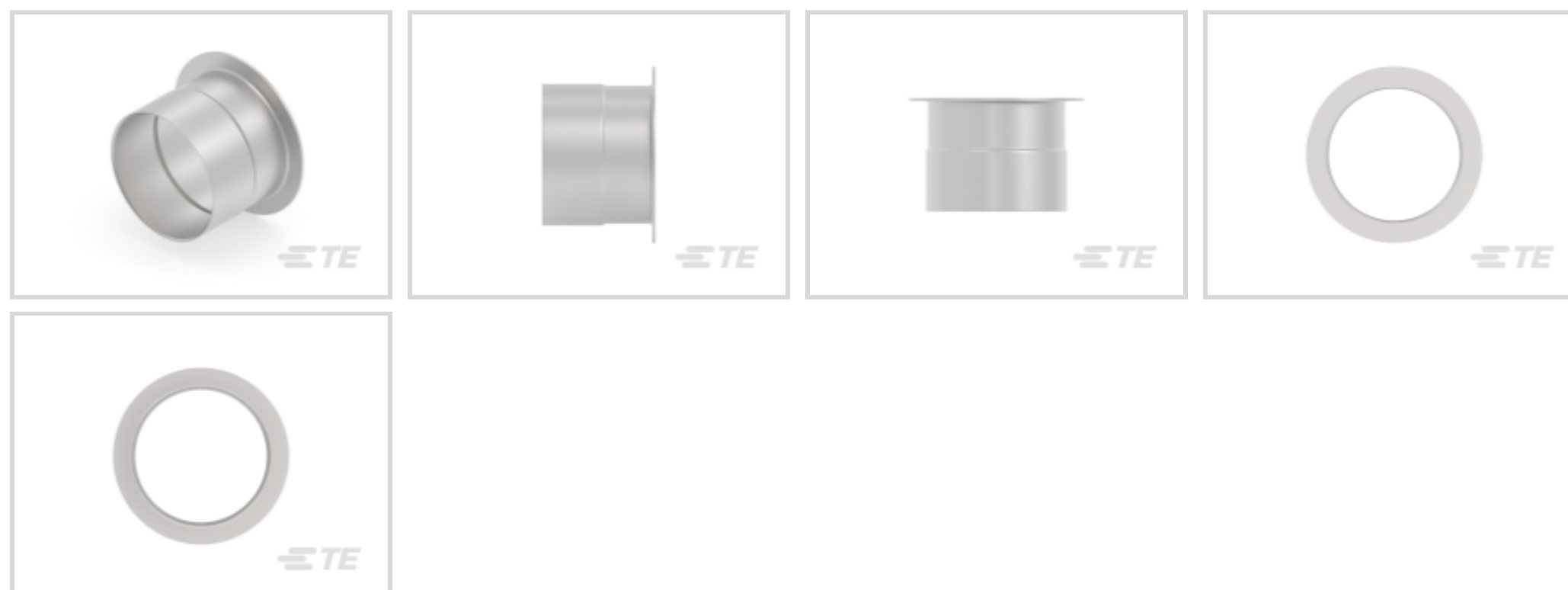




Connectors > Automotive Connectors > Automotive Connector Accessories > Automotive Connector EMC Shielding



Connector Shielding Accessory Type: **Shield**

Primary Product Material: **Stainless Steel**

Number of Positions: **1**

Sealable: **No**

Operating Temperature Range: **-40 – 140 °C [-40 – 284 °F]**

Features

Product Type Features

Connector Shielding Accessory Type	Shield
Sealable	No

Configuration Features

Number of Positions	1
---------------------	---

Body Features

Primary Product Material	Stainless Steel
--------------------------	-----------------

Usage Conditions

Operating Temperature Range	-40 – 140 °C[-40 – 284 °F]
-----------------------------	----------------------------

Product Compliance

[For compliance documentation, visit the product page on TE.com>](#)

EU RoHS Directive 2011/65/EU	Compliant
EU ELV Directive 2000/53/EC	Compliant
China RoHS 2 Directive MIIT Order No 32, 2016	No Restricted Materials Above Threshold
EU REACH Regulation (EC) No. 1907/2006	Current ECHA Candidate List: JUNE 2023 (235)



Candidate List Declared Against: JUNE 2023 (235)
Does not contain REACH SVHC

Halogen Content	Low Halogen - Br, Cl, F, I < 900 ppm per homogenous material. Also BFR/CFR/PVC Free
Solder Process Capability	Not reviewed for solder process capability

Product Compliance Disclaimer

This information is provided based on reasonable inquiry of our suppliers and represents our current actual knowledge based on the information they provided. This information is subject to change. The part numbers that TE has identified as EU RoHS compliant have a maximum concentration of 0.1% by weight in homogenous materials for lead, hexavalent chromium, mercury, PBB, PBDE, DBP, BBP, DEHP, DIBP, and 0.01% for cadmium, or qualify for an exemption to these limits as defined in the Annexes of Directive 2011/65/EU (RoHS2). Finished electrical and electronic equipment products will be CE marked as required by Directive 2011/65/EU. Components may not be CE marked. Additionally, the part numbers that TE has identified as EU ELV compliant have a maximum concentration of 0.1% by weight in homogenous materials for lead, hexavalent chromium, and mercury, and 0.01% for cadmium, or qualify for an exemption to these limits as defined in the Annexes of Directive 2000/53/EC (ELV). Regarding the REACH Regulation, the information TE provides on SVHC in articles for this part number is based on the latest European Chemicals Agency (ECHA) 'Guidance on requirements for substances in articles' posted at this URL: <https://echa.europa.eu/guidance-documents/guidance-on-reach>

Compatible Parts



TE Part # 2371017-1
2POS,IPT,RING TONGUE HSG ASSY, SLD



TE Part # 2355146-1
3POS,IPT,RING TONGUE HSG ASSY, SLD



TE Part # 2355146-2
3POS,IPT,RING TONGUE HSG ASSY, SLD



TE Part # 2371017-2
2POS,IPT,RING TONGUE HSG ASSY, SLD

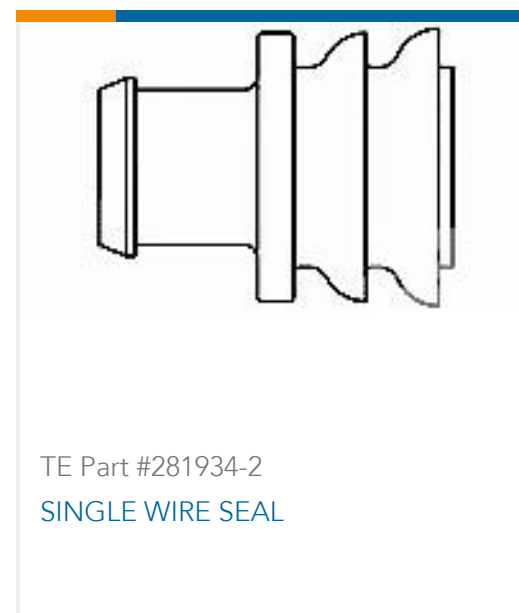


TE Part # 2371019-1
1POS,IPT,RING TONGUE HSG ASSY, SLD



TE Part # 2371019-2
1POS,IPT,RING TONGUE HSG ASSY, SLD

Customers Also Bought



Documents

Product Drawings

STEEL,SHIELD,IPT,CONN HSG

English

CAD Files

Customer View Model

[ENG_CVM_CVM_2355148-4_C.3d_stp.zip](#)

English

Customer View Model

[ENG_CVM_CVM_2355148-4_C.3d_igs.zip](#)

English

3D PDF

3D

Customer View Model

[ENG_CVM_CVM_2355148-4_C.2d_dxf.zip](#)

English

By downloading the CAD file I accept and agree to the [Terms and Conditions](#) of use.

Datasheets & Catalog Pages

HIVONEX CONNECTORS & CHARGING SOLUTIONS

English

Product Specifications

Application Specification

English

Application Specification

English

