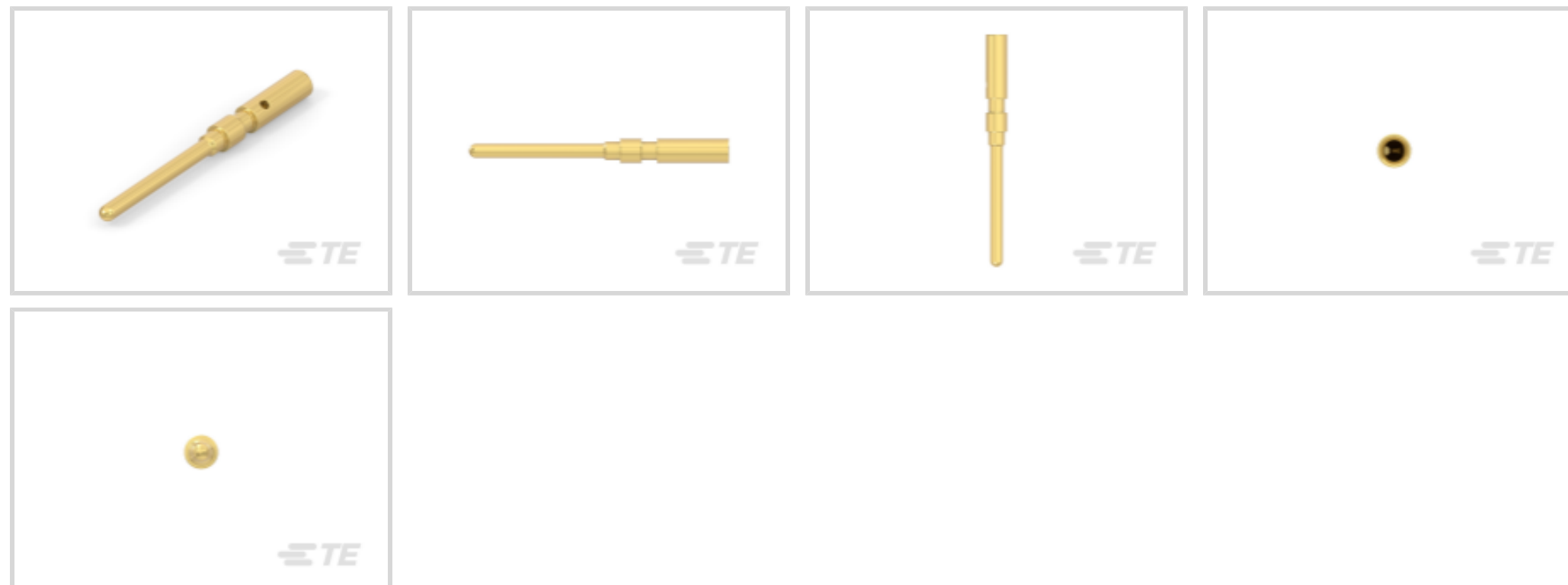




Terminals & Splices > Crimp Wire Pins, Tabs & Ferrules



Crimp Wire Terminal Type: Pin

Mating Pin Diameter: 1 mm [.04 in]

Wire Size: .75 – .5 mm<sup>2</sup>

Barrel Inside Diameter: 1.1 mm [.043 in]

## Features

### Product Type Features

Compatible With Discrete Wire Type

Stranded

### Contact Features

Contact Fabrication

Solid

Crimp Wire Terminal Type

Pin

Mating Pin Diameter

1 mm [.04 in]

Barrel Type

Closed

Terminal Plating Material

Gold

Contact Shape & Form

Round

Terminal Orientation

Straight

### Mechanical Attachment

Wire Insulation Support

Without

### Dimensions

Wire Size

.75 – .5 mm<sup>2</sup>

Barrel Inside Diameter

1.1 mm [.043 in]

Terminal Material Thickness

1.78 mm [.07 in]

Overall Product Length

18.3 mm [.709 in]



### Usage Conditions

Insulation Option	Fully Insulated
Operating Temperature Range	40 – 85 °C

### Packaging Features

Packaging Method	Bag/Box
------------------	---------

### Product Compliance

[For compliance documentation, visit the product page on TE.com>](#)

EU RoHS Directive 2011/65/EU	Compliant
EU ELV Directive 2000/53/EC	Not Yet Reviewed
China RoHS 2 Directive MIIT Order No 32, 2016	No Restricted Materials Above Threshold
EU REACH Regulation (EC) No. 1907/2006	Current ECHA Candidate List: JUNE 2023 (235) Candidate List Declared Against: JAN 2022 (223) Does not contain REACH SVHC
Halogen Content	Low Halogen - Br, Cl, F, I < 900 ppm per homogenous material. Also BFR/CFR/PVC Free
Solder Process Capability	Not reviewed for solder process capability

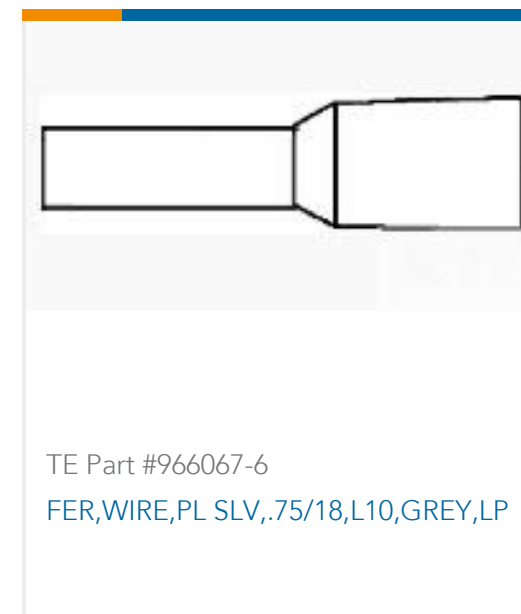
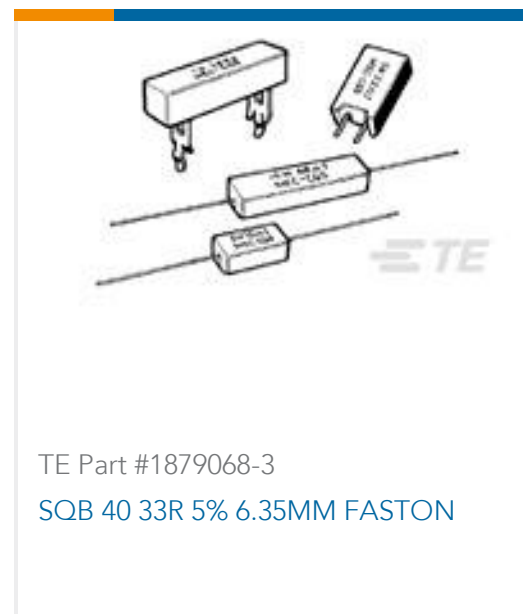
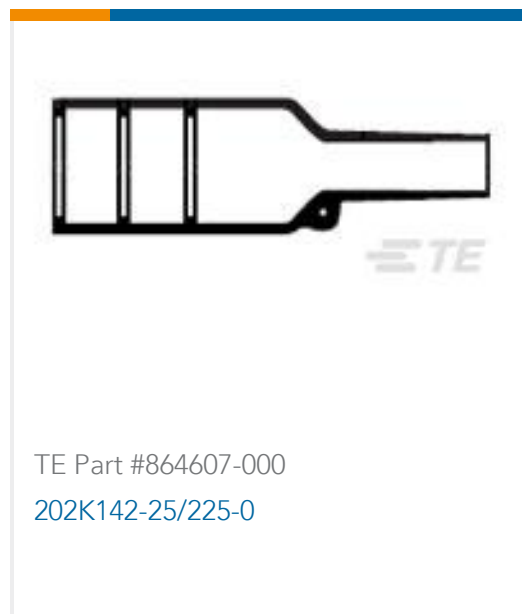
#### Product Compliance Disclaimer

This information is provided based on reasonable inquiry of our suppliers and represents our current actual knowledge based on the information they provided. This information is subject to change. The part numbers that TE has identified as EU RoHS compliant have a maximum concentration of 0.1% by weight in homogenous materials for lead, hexavalent chromium, mercury, PBB, PBDE, DBP, BBP, DEHP, DIBP, and 0.01% for cadmium, or qualify for an exemption to these limits as defined in the Annexes of Directive 2011/65/EU (RoHS2). Finished electrical and electronic equipment products will be CE marked as required by Directive 2011/65/EU. Components may not be CE marked. Additionally, the part numbers that TE has identified as EU ELV compliant have a maximum concentration of 0.1% by weight in homogenous materials for lead, hexavalent chromium, and mercury, and 0.01% for cadmium, or qualify for an exemption to these limits as defined in the Annexes of Directive 2000/53/EC (ELV). Regarding the REACH Regulation, the information TE provides on SVHC in articles for this part number is based on the latest European Chemicals Agency (ECHA) 'Guidance on requirements for substances in articles' posted at this URL: <https://echa.europa.eu/guidance-documents/guidance-on-reach>

### Compatible Parts



## Customers Also Bought



## Documents

### Product Drawings

CONTACT, AWG 18-20

English

### CAD Files

3D PDF

3D

Customer View Model

ENG\_CVM\_CVM\_2351768-2\_A.2d\_dxf.zip



English

Customer View Model

[ENG\\_CVM\\_CVM\\_2351768-2\\_A.3d\\_igs.zip](#)

English

Customer View Model

[ENG\\_CVM\\_CVM\\_2351768-2\\_A.3d\\_stp.zip](#)

English

By downloading the CAD file I accept and agree to the [Terms and Conditions](#) of use.

## Product Specifications

[Product Specification](#)

English

[Application Specification](#)

English