

2351415-1 ✓ ACTIVE

TE Internal #: 2351415-1

Standard Circular Connectors, Wire-to-Wire, 8 Position, Sealable,  
Wire & Cable, Signal, Nickel, Brass, A Polarization Code, Polyamide  
66 GF30

[View on TE.com >](#)



Connectors > Circular Connectors > Standard Circular Connectors



Connector System: **Wire-to-Wire**

Number of Positions: **8**

Sealable: **Yes**

Connector & Contact Terminates To: **Wire & Cable**

Contact Current Rating (Max): **2 A**

## Features

### Product Type Features

Prewired	No
Product Type	Connector Assembly
Accessory Color	Black
Assembly Type	Electrical Connector
Connector System	Wire-to-Wire
Sealable	Yes
Connector & Contact Terminates To	Wire & Cable
Circular Connector Type	Plug
Shell Type	Metal

### Configuration Features

Keying & Polarized Position Locations	A
Factory Installed Backshell	With
Keying	A
Number of Positions	8
Number of Power Positions	0



Number of Signal Positions	8
----------------------------	---

Contacts Preloaded	Yes
--------------------	-----

### Electrical Characteristics

Operating Voltage	30 VAC
-------------------	--------

Voltage	250 Vrms
---------	----------

### Body Features

Peripheral Seal Material	Silicone
--------------------------	----------

Environmental Protection	IP67
--------------------------	------

O-Ring Material	Silicone
-----------------	----------

Environmental Protection Type	Elastomer Sealed
-------------------------------	------------------

Shell Plating Material	Nickel
------------------------	--------

Shell Base Material	Brass
---------------------	-------

Circular Connector Insulation Material Type	Polyamide 66 GF30
---	-------------------

### Contact Features

Contact Current Rating (Max)	2 A
------------------------------	-----

Reverse Gender	No
----------------	----

Circular Connector Contact Type	Pin
---------------------------------	-----

### Mechanical Attachment

Mating Retention Type	Threaded Coupling
-----------------------	-------------------

Mating Alignment	With
------------------	------

Polarization Code	A
-------------------	---

Mating Alignment Type	Keyed
-----------------------	-------

### Housing Features

Circular Connector Shell Size	20
-------------------------------	----

### Dimensions

Wire Size	.34 – .14 mm <sup>2</sup>
-----------	---------------------------

### Usage Conditions

IP Dust Sealing Level	6
-----------------------	---

IP Water Sealing Level	IP67
------------------------	------

Operating Temperature Range	-40 – 85 °C[-40 – 185 °F]
-----------------------------	---------------------------

### Operation/Application



Durability Rating	100 Cycles
Circuit Application	Signal
Shielded	Yes

### Industry Standards

UL Flammability Rating	UL 94V0
------------------------	---------

### Other

Position Locations Omitted	0
Field Serviceable	Yes

## Product Compliance

[For compliance documentation, visit the product page on TE.com>](#)

EU RoHS Directive 2011/65/EU	Compliant with Exemptions
EU ELV Directive 2000/53/EC	Compliant with Exemptions
China RoHS 2 Directive MIIT Order No 32, 2016	Restricted Materials Above Threshold
EU REACH Regulation (EC) No. 1907/2006	Current ECHA Candidate List: JUNE 2023 (235) Candidate List Declared Against: JAN 2022 (223) SVHC > Threshold: Pb (1.9% in Component Part) <b>Article Safe Usage Statements:</b> Do not eat, drink or smoke when using this product. Wash thoroughly after handling. Recycle if possible and dispose of the article by following all applicable governmental regulations relevant to your geographic location.
Halogen Content	Low Halogen - Br, Cl, F, I < 900 ppm per homogenous material. Also BFR/CFR/PVC Free
Solder Process Capability	Not reviewed for solder process capability

#### Product Compliance Disclaimer

This information is provided based on reasonable inquiry of our suppliers and represents our current actual knowledge based on the information they provided. This information is subject to change. The part numbers that TE has identified as EU RoHS compliant have a maximum concentration of 0.1% by weight in homogenous materials for lead, hexavalent chromium, mercury, PBB, PBDE, DBP, BBP, DEHP, DIBP, and 0.01% for cadmium, or qualify for an exemption to these limits as defined in the Annexes of Directive 2011/65/EU (RoHS2). Finished electrical and electronic equipment products will be CE marked as required by Directive 2011/65/EU. Components may not be CE marked. Additionally, the part numbers that TE has identified as EU ELV compliant have a maximum concentration of 0.1% by weight in homogenous materials for lead, hexavalent chromium, and mercury, and 0.01% for cadmium, or qualify for an exemption to these limits as defined in the Annexes of Directive 2000/53/EC (ELV). Regarding the REACH Regulation, the information TE provides on SVHC in articles for this part number is based on the latest European Chemicals Agency (ECHA) 'Guidance on requirements for substances in articles' posted at this URL: <https://echa.europa.eu/guidance-documents/guidance-on-reach>

## Compatible Parts




TE Part # 2358992-1  
M12 FEMALE, A8,STR CONNECTOR, PG7 SEAL



TE Part # 2358992-2  
M12 FEMALE, A8,STR CONNECTOR, PG9 SEAL



TE Part # 2358992-3  
M12 FEMALE, A8,STR CONNECTOR, PG7 SEAL



TE Part # 2358992-4  
M12 FEMALE, A8,STR CONNECTOR, PG9 SEAL

### Customers Also Bought



TE Part #T4112401051-000  
M12,FEMALE,RA,B CODE,5P,PG7, GOLD



TE Part #1-6609036-3  
20VSK6=F7586 S0



TE Part #1-794610-1  
MICRO MNL RPT CNT,LS PC 15AU L



TE Part #350550-1  
UMNL SOK 20-14 PTPBR L/P



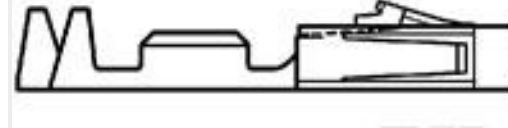
TE Part #350551-2  
UMNL SOK 20-14 AUBR L/P



TE Part #350766-1  
03P UMNL PLUG HSG



TE Part #1-480700-0  
03P UMNL PLUG HSG NATL



TE Part #1-104480-6  
SHORT POINT RECP CONT LP



TE Part #2176383-1  
RQ 1206 10R 0.1% 10PPM 1K RL

### Documents

#### Product Drawings

M12 MALE,A8 CODE,STR CONNECTOR, PG7 SEAL

English

#### CAD Files

3D PDF

3D

Customer View Model

ENG\_CVM\_CVM\_2351415-1\_A.2d\_dxf.zip



English

Customer View Model

[ENG\\_CVM\\_CVM\\_2351415-1\\_A.3d\\_igs.zip](#)

English

Customer View Model

[ENG\\_CVM\\_CVM\\_2351415-1\\_A.3d\\_stp.zip](#)

English

By downloading the CAD file I accept and agree to the [Terms and Conditions](#) of use.

## Product Specifications

[Product Specification](#)

English

[Application Specification](#)

English