



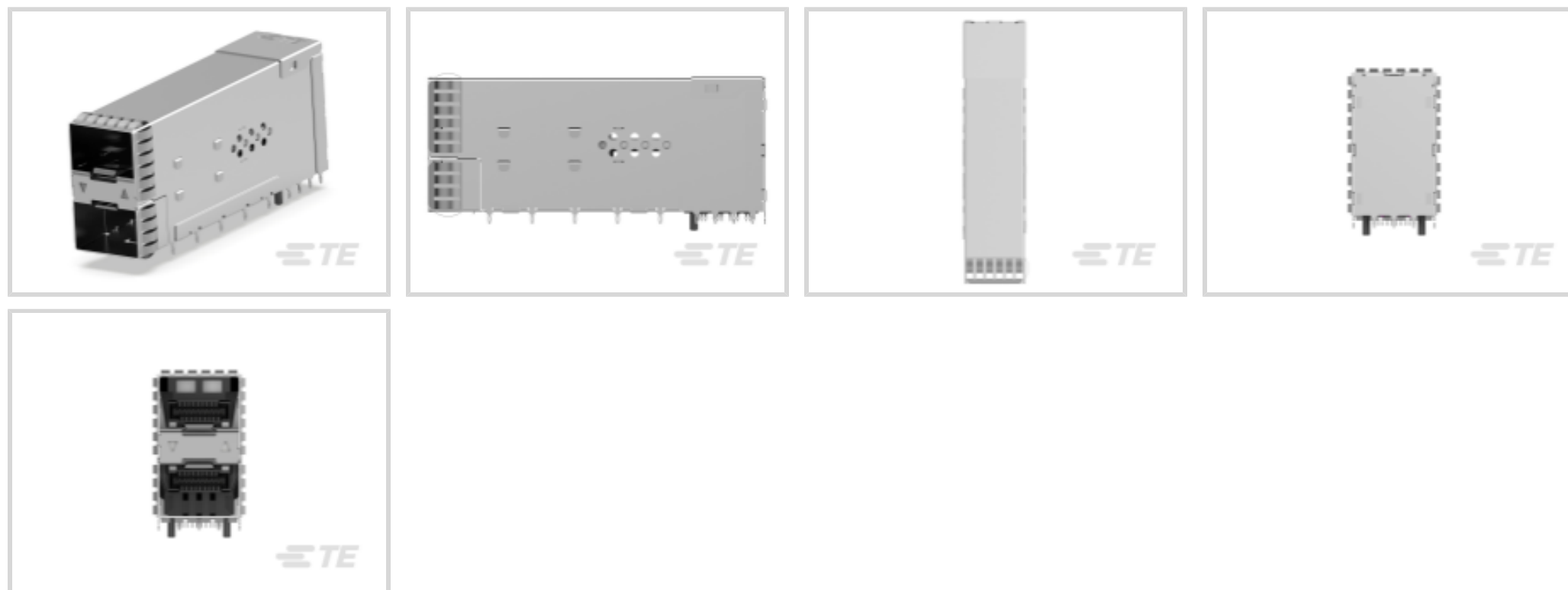
SFP56

TE Internal #: 2349202-8

SFP, SFP+ & zSFP+, Cage Assembly with Integrated Connector, Data Rate (Max) 56 Gb/s, Internal/External EMI Springs, SFP56 / SFP28, SFP56

[View on TE.com >](#)

Connectors > Pluggable IO Connectors & Cages > SFP, SFP+ & zSFP+ > SFP56 Stacked Cage Assembly: EMI Spring



Pluggable I/O Product Type: **Cage Assembly with Integrated Connector**

Data Rate (Max): **56 Gb/s**

EMI Containment Feature Type: **Internal/External EMI Springs**

Pluggable I/O Applications: **SFP28, SFP56**

Lightpipe Options: **With Lightpipe**

[All SFP56 Stacked Cage Assembly: EMI Spring \(48\)](#)

Features

Product Type Features

Pluggable I/O Accessory Type	Dust & EMI Cover
Form Factor	zSFP+ Stacked (SFP56)
Cage Type	Stacked
Pluggable I/O Product Type	Cage Assembly with Integrated Connector
Lightpipe Options	With Lightpipe
Connector & Contact Terminates To	Printed Circuit Board

Configuration Features

Port Matrix Configuration	2 x 1
Number of Ports	2
Number of Positions	20

Electrical Characteristics

Data Rate (Max)	56 Gb/s
-----------------	---------



Termination Features

Termination Method to Printed Circuit Board	Through Hole - Press-Fit
---------------------------------------------	--------------------------

Mechanical Attachment

Connector Mounting Type	Board Mount
-------------------------	-------------

Housing Features

Centerline (Pitch)	.6 mm [.018 in]
--------------------	-----------------

Usage Conditions

Operating Temperature Range	-55 – 105 °C [-67 – 221 °F]
-----------------------------	-----------------------------

Operation/Application

Pluggable I/O Applications	SFP28, SFP56
----------------------------	--------------

Circuit Application	Signal
---------------------	--------

Other

EMI Containment Feature Type	Internal/External EMI Springs
------------------------------	-------------------------------

Product Compliance

[For compliance documentation, visit the product page on TE.com>](#)

EU RoHS Directive 2011/65/EU	Compliant
EU ELV Directive 2000/53/EC	Not Yet Reviewed
China RoHS 2 Directive MIIT Order No 32, 2016	No Restricted Materials Above Threshold
EU REACH Regulation (EC) No. 1907/2006	Current ECHA Candidate List: JUNE 2023 (235) Candidate List Declared Against: JUNE 2022 (224) Does not contain REACH SVHC
Halogen Content	Not Yet Reviewed for halogen content
Solder Process Capability	Not reviewed for solder process capability

Product Compliance Disclaimer

This information is provided based on reasonable inquiry of our suppliers and represents our current actual knowledge based on the information they provided. This information is subject to change. The part numbers that TE has identified as EU RoHS compliant have a maximum concentration of 0.1% by weight in homogenous materials for lead, hexavalent chromium, mercury, PBB, PBDE, DBP, BBP, DEHP, DIBP, and 0.01% for cadmium, or qualify for an exemption to these limits as defined in the Annexes of Directive 2011/65/EU (RoHS2). Finished electrical and electronic equipment products will be CE marked as required by Directive 2011/65/EU. Components may not be CE marked. Additionally, the part numbers that TE has identified as EU ELV compliant have a maximum concentration of 0.1% by weight in homogenous materials for lead, hexavalent chromium, and mercury, and 0.01% for cadmium, or qualify for an exemption to these limits as defined in the Annexes of Directive 2000/53/EC (ELV). Regarding the REACH Regulations, TE's information on SVHC in articles for this part number is still based on the European Chemical Agency (ECHA) 'Guidance on requirements for substances in articles' (Version: 2, April 2011), applying the 0.1% weight on weight concentration threshold at the finished product level. TE is aware of the European Court of Justice ruling of September 10th, 2015 also known as O5A (Once An

Article Always An Article) stating that, in case of 'complex object', the threshold for a SVHC must be applied to both the product as a whole and simultaneously to each of the articles forming part of its composition. TE has evaluated this ruling based on the new ECHA "Guidance on requirements for substances in articles" (June 2017, version 4.0) and will be updating its statements accordingly.

Compatible Parts

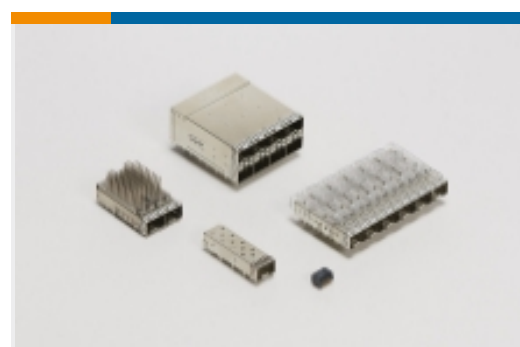


TE Part # 1761394-1
DUST COVER, SFP, GANGED & STACKED

Also in the Series | SFP56



Pluggable I/O Cable Assemblies(17)



SFP, SFP+ & zSFP+(53)

Customers Also Bought



TE Part #5-1622820-2
3520 4R7 5%



TE Part #4-2176058-5
RLP73K 3A R68 5% 2K RL



TE Part #2-1879071-6
THS50 12R 5%



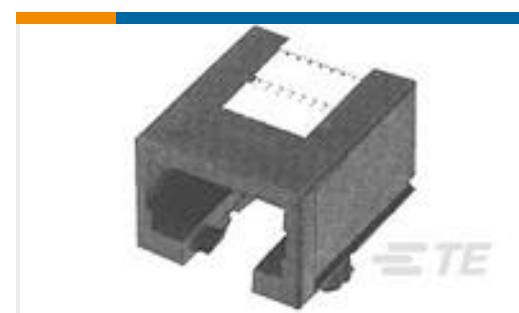
TE Part #3-1827253-6
.5FHP05H,220,S,GIG,08/Sn,HT,NSYes



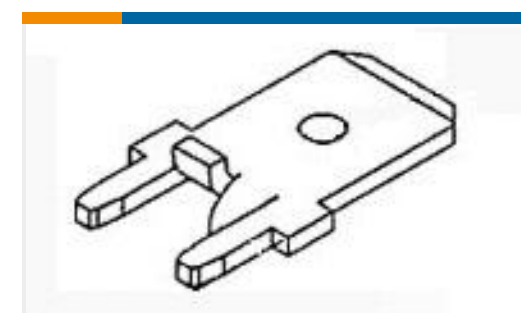
TE Part #41969-2
250 FASTON REC 22-18 AWG BR



TE Part #5555003-1
MJ,R/A,6P,PNL,RH LTCH,GRY



TE Part #215875-1
4/4 PCB MOD.JACK SE



TE Part #63849-1
250 FASTON TAB TPBR



Documents

CAD Files

[3D PDF](#)

[3D](#)

Customer View Model

[ENG_CVM_CVM_2349202-8_A.2d_dxf.zip](#)

English

Customer View Model

[ENG_CVM_CVM_2349202-8_A.3d_igs.zip](#)

English

Customer View Model

[ENG_CVM_CVM_2349202-8_A.3d_stp.zip](#)

English

By downloading the CAD file I accept and agree to the [Terms and Conditions](#) of use.

Product Specifications

[Product Specification](#)

English