



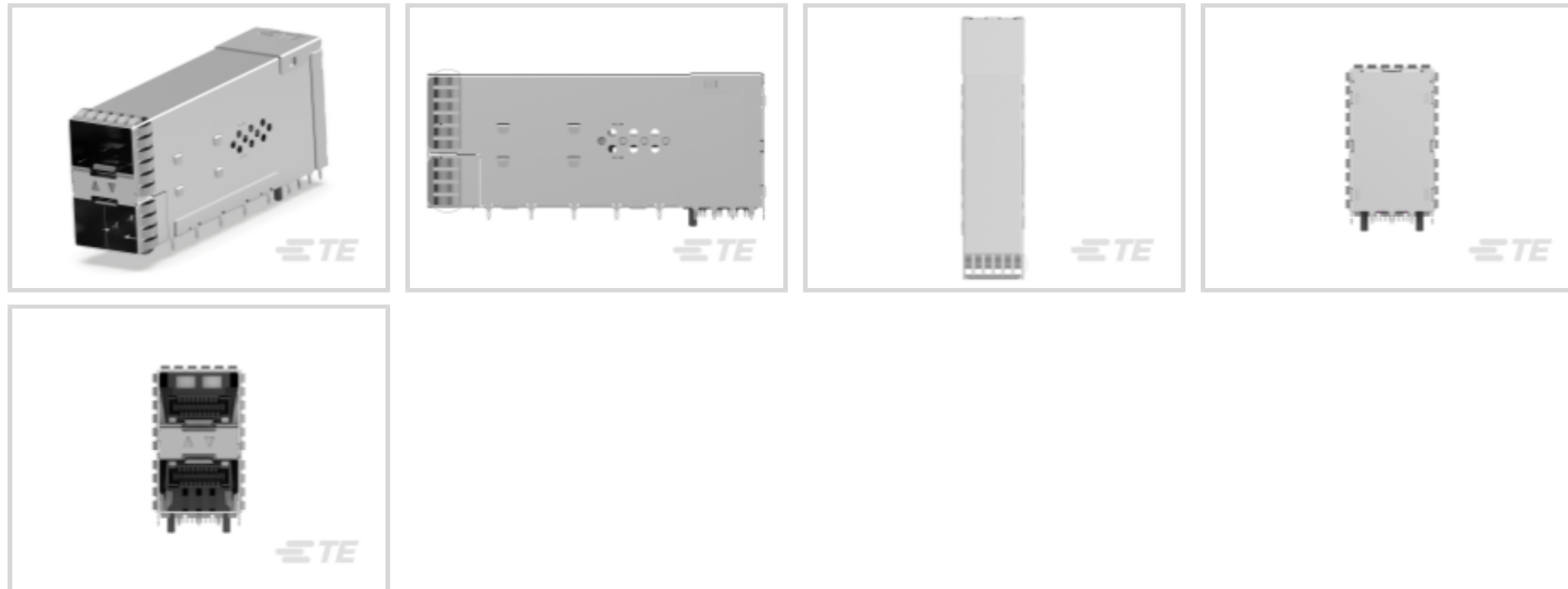
SFP56

TE Internal #: 2349202-7

SFP, SFP+ & zSFP+, Cage Assembly with Integrated Connector, Data Rate (Max) 56 Gb/s, Internal/External EMI Springs, SFP56 / SFP28, SFP56

[View on TE.com >](#)

Connectors > Pluggable IO Connectors & Cages > SFP, SFP+ & zSFP+ > SFP56 Stacked Cage Assembly: EMI Spring



Pluggable I/O Product Type: **Cage Assembly with Integrated Connector**

Data Rate (Max): **56 Gb/s**

EMI Containment Feature Type: **Internal/External EMI Springs**

Pluggable I/O Applications: **SFP28, SFP56**

Lightpipe Options: **With Lightpipe**

[All SFP56 Stacked Cage Assembly: EMI Spring \(48\)](#)

Features

Product Type Features

Pluggable I/O Accessory Type	Dust & EMI Cover
Form Factor	zSFP+ Stacked (SFP56)
Cage Type	Stacked
Pluggable I/O Product Type	Cage Assembly with Integrated Connector
Lightpipe Options	With Lightpipe
Connector & Contact Terminates To	Printed Circuit Board

Configuration Features

Port Matrix Configuration	2 x 1
Number of Ports	2
Number of Positions	20

Electrical Characteristics

Data Rate (Max)	56 Gb/s
-----------------	---------



Termination Features

Termination Method to Printed Circuit Board	Through Hole - Press-Fit
---	--------------------------

Mechanical Attachment

Connector Mounting Type	Board Mount
-------------------------	-------------

Housing Features

Centerline (Pitch)	.6 mm [.018 in]
--------------------	-----------------

Usage Conditions

Operating Temperature Range	-55 – 105 °C [-67 – 221 °F]
-----------------------------	-----------------------------

Operation/Application

Pluggable I/O Applications	SFP28, SFP56
----------------------------	--------------

Circuit Application	Signal
---------------------	--------

Other

EMI Containment Feature Type	Internal/External EMI Springs
------------------------------	-------------------------------

Product Compliance

[For compliance documentation, visit the product page on TE.com>](#)

EU RoHS Directive 2011/65/EU	Compliant
EU ELV Directive 2000/53/EC	Compliant
China RoHS 2 Directive MIIT Order No 32, 2016	No Restricted Materials Above Threshold
EU REACH Regulation (EC) No. 1907/2006	Current ECHA Candidate List: JUNE 2023 (235) Candidate List Declared Against: JAN 2021 (211) Does not contain REACH SVHC
Halogen Content	Not Yet Reviewed for halogen content
Solder Process Capability	Not applicable for solder process capability

Product Compliance Disclaimer

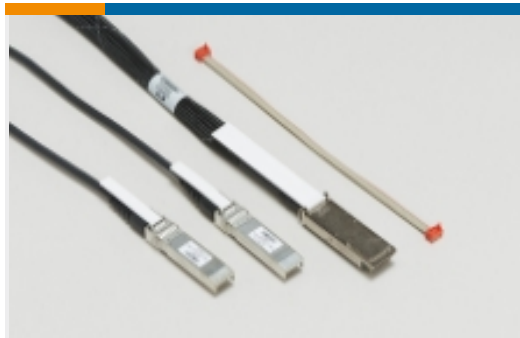
This information is provided based on reasonable inquiry of our suppliers and represents our current actual knowledge based on the information they provided. This information is subject to change. The part numbers that TE has identified as EU RoHS compliant have a maximum concentration of 0.1% by weight in homogenous materials for lead, hexavalent chromium, mercury, PBB, PBDE, DBP, BBP, DEHP, DIBP, and 0.01% for cadmium, or qualify for an exemption to these limits as defined in the Annexes of Directive 2011/65/EU (RoHS2). Finished electrical and electronic equipment products will be CE marked as required by Directive 2011/65/EU. Components may not be CE marked. Additionally, the part numbers that TE has identified as EU ELV compliant have a maximum concentration of 0.1% by weight in homogenous materials for lead, hexavalent chromium, and mercury, and 0.01% for cadmium, or qualify for an exemption to these limits as defined in the Annexes of Directive 2000/53/EC (ELV). Regarding the REACH Regulation, the information TE provides on SVHC in articles for this part number is based on the latest European Chemicals Agency (ECHA) 'Guidance on requirements for substances in articles' posted at this URL: <https://echa.europa.eu/guidance-documents/guidance-on-reach>

Compatible Parts



TE Part # 1761394-1
DUST COVER, SFP, GANGED & STACKED

Also in the Series | SFP56



Pluggable I/O Cable Assemblies(17)



SFP, SFP+ & zSFP+(53)

Customers Also Bought



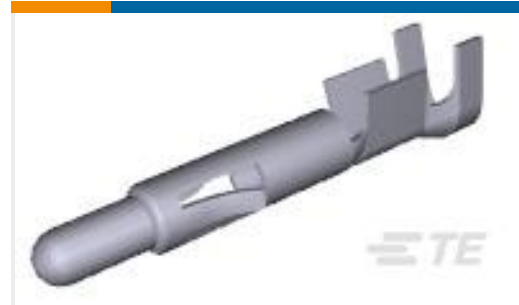
TE Part #6609055-1
3EHZ1=F7761 S0



TE Part #1-331366-1
PIDG SPDFLG 22-16COM22-18MIL10



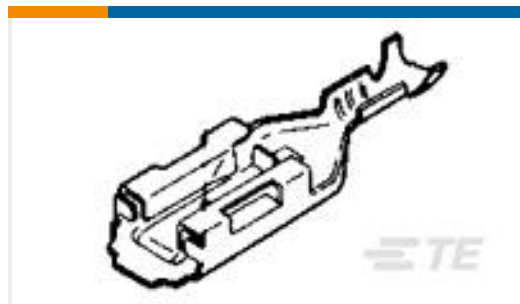
TE Part #8-1614882-3
CPF 0603 4R7 0.1% 25PPM 1K RL



TE Part #350547-6
UMNL PIN 20-14 AU/PHBZ L/P



TE Part #5406436-1
MJ,TE,8P,SHLD W/PNL STPS



TE Part #170456-2
PL 250 AM REC 12-10 0.40 X 21 PRE-TPBR



TE Part #2311403-2
CAP, SQ, ILLUMINATED TACT SWITCH, BLACK



TE Part #4-2213819-3
6X6 ILL TACT SMT 260GF HI YELLOW GREEN



Documents

CAD Files

[3D PDF](#)

[3D](#)

Customer View Model

[ENG_CVM_CVM_2349202-7_A.2d_dxf.zip](#)

English

Customer View Model

[ENG_CVM_CVM_2349202-7_A.3d_igs.zip](#)

English

Customer View Model

[ENG_CVM_CVM_2349202-7_A.3d_stp.zip](#)

English

By downloading the CAD file I accept and agree to the [Terms and Conditions](#) of use.

Product Specifications

[Product Specification](#)

English