

2347245-1 ✓ ACTIVE

SOLARLOK | SOLARLOK 2.0 DC Connector

TE Internal #: 2347245-1

Solar Connectors & Adapters, Cable Coupler, Plug-Socket, Copper Alloy, 12 AWG / 10 AWG / 14 AWG Wire Size, SOLARLOK 2.0 DC Connector

[View on TE.com >](#)



Energy & Power > Solar & Photovoltaics > Solar Connectors & Adapters > SOLARLOK SLK 2.0 DC Plug & Splice Connectors



Solar Connector Type: **Cable Coupler**

Solar Connector Style: **Plug-Socket**

Contact Base Material: **Copper Alloy**

Wire Size: **2.5 mm², 4 mm², 6 mm²**

[All SOLARLOK SLK 2.0 DC Plug & Splice Connectors \(6\)](#)

Features

Product Type Features

Product Type	Connector
Solar Connector Type	Cable Coupler
Solar Connector Style	Plug-Socket

Contact Features

Contact Finish	Tin
Contact Base Material	Copper Alloy

Housing Features

Housing Color	Black
Housing Material	Polyphenylene Ether (PPE) + Polystyrene (PS)

Dimensions

Wire Size	2.5 mm ² , 4 mm ² , 6 mm ²
-----------	---

Industry Standards



IP Rating	IP68
-----------	------

Packaging Features

Packaging Quantity	100
--------------------	-----

Product Compliance

[For compliance documentation, visit the product page on TE.com>](#)

EU RoHS Directive 2011/65/EU	Compliant
EU ELV Directive 2000/53/EC	Compliant
China RoHS 2 Directive MIIT Order No 32, 2016	No Restricted Materials Above Threshold
EU REACH Regulation (EC) No. 1907/2006	Current ECHA Candidate List: JUNE 2023 (235) Candidate List Declared Against: JAN 2021 (211) Does not contain REACH SVHC
Halogen Content	Low Halogen - Br, Cl, F, I < 900 ppm per homogenous material. Also BFR/CFR/PVC Free
Solder Process Capability	Not reviewed for solder process capability

Product Compliance Disclaimer

This information is provided based on reasonable inquiry of our suppliers and represents our current actual knowledge based on the information they provided. This information is subject to change. The part numbers that TE has identified as EU RoHS compliant have a maximum concentration of 0.1% by weight in homogenous materials for lead, hexavalent chromium, mercury, PBB, PBDE, DBP, BBP, DEHP, DIBP, and 0.01% for cadmium, or qualify for an exemption to these limits as defined in the Annexes of Directive 2011/65/EU (RoHS2). Finished electrical and electronic equipment products will be CE marked as required by Directive 2011/65/EU. Components may not be CE marked. Additionally, the part numbers that TE has identified as EU ELV compliant have a maximum concentration of 0.1% by weight in homogenous materials for lead, hexavalent chromium, and mercury, and 0.01% for cadmium, or qualify for an exemption to these limits as defined in the Annexes of Directive 2000/53/EC (ELV). Regarding the REACH Regulation, the information TE provides on SVHC in articles for this part number is based on the latest European Chemicals Agency (ECHA) 'Guidance on requirements for substances in articles' posted at this URL: <https://echa.europa.eu/guidance-documents/guidance-on-reach>

Compatible Parts



Also in the Series | SOLARLOK 2.0 DC Connector



Solar Connectors & Adapters(6)

Customers Also Bought



TE Part #211767-1
Cable/Panel Mount Connector, CPC Series 1



TE Part #DT04-12PA-BL04
REC, 12P, GRY, N, ENH KEY, FLANGE, A



TE Part #T4013008031-000
M8,SCREW, MALE,R/A,UNSHIELD,3P, GOLD



TE Part #969191-2
FLA-STE-GEH2,8 8P



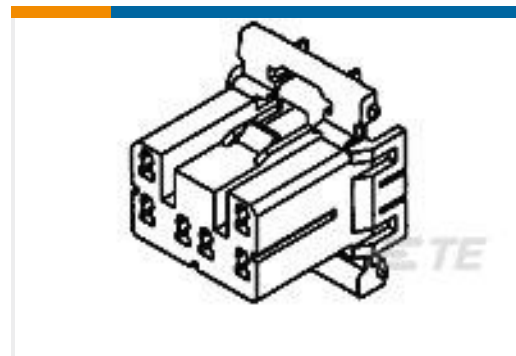
TE Part #1971903-1
OPEN TOOL, PV4 CONNECTOR



TE Part #160300
PLASTI-GRIP 12-10 RING M10



TE Part #66399-3
III+ SKT,24-20,15AU/FL,LP



TE Part #173850-1
070 MULTILOCK PLUG 8P



TE Part #4-1534798-5
AMP DUOPLUG MK II CON. 3-20 PO

Documents

Datasheets & Catalog Pages

[SOLARLOK_2.0_DC_PLG_CONN_and_SPLICES](#)

English