

2345284-2 ✓ ACTIVE

enetSEAL+

TE Internal #: 2345284-2

Wire-to-Board, 2 Position, .05 in [1.27 mm] Centerline, Sealable, Black, Signal, Cable Mount (Free-Hanging), -40 – 257 °F [-40 – 125 °C], Key B

[View on TE.com >](#)



Connectors > Automotive Connectors > Automotive Housings



Connector System: **Wire-to-Board**

Number of Positions: **2**

Centerline (Pitch): **1.27 mm [.05 in]**

Sealable: **Yes**

Mating Tab Width: **1.83 mm [.072 in]**

Features

Product Type Features

Mixed & Hybrid Connector	No
Connector Shape	Rectangular
Connector System	Wire-to-Board
Sealable	Yes
Primary Locking Feature	Integrated in Housing

Configuration Features

Blank Cavity Position	0
Number of Positions	2
Number of Rows	1

Electrical Characteristics

Operating Voltage	33 VAC
Nominal Voltage Architecture	33 V

Body Features

Cable Exit Angle	180°
------------------	------



Primary Product Color	Black
Connector & Keying Code	B
Contact Features	
Contact Size	1.2mm
Mating Tab Width	1.83 mm[.072 in]
Mechanical Attachment	
Terminal Position Assurance	Yes
Mating Alignment Type	Keyed
Mating Alignment	With
Connector Mounting Type	Cable Mount (Free-Hanging)
Housing Features	
Housing Material	PBT GF
Centerline (Pitch)	1.27 mm[.05 in]
Dimensions	
Connector Height	19.05 mm[.759 in]
Product Width	14.8 mm[5.83 in]
Product Length	30.7 mm[1.2 in]
Row-to-Row Spacing	2.54 mm[.1 in]
Usage Conditions	
Operating Temperature (Max)	125 °C[257 °F]
Operating Temperature Range	-40 – 125 °C[-40 – 257 °F]
Operation/Application	
Circuit Application	Signal
Industry Standards	
Degree of Protection	IPX9K
Packaging Features	
Packaging Quantity	550
Packaging Method	Bag & Box
Other	
Serviceable	No
Connector Position Assurance Capable	Yes



Product Compliance

[For compliance documentation, visit the product page on TE.com>](#)

EU RoHS Directive 2011/65/EU	Compliant
EU ELV Directive 2000/53/EC	Compliant
China RoHS 2 Directive MIIT Order No 32, 2016	No Restricted Materials Above Threshold
EU REACH Regulation (EC) No. 1907/2006	<p>Current ECHA Candidate List: JUNE 2023 (235)</p> <p>Candidate List Declared Against: JUNE 2023 (235)</p> <p>SVHC > Threshold:</p> <p>Octamethylcyclotetrasiloxane (D4) (.5% in Component Part)</p> <p>Dodecamethylcyclohexasiloxane (D6) (.5% in Component Part)</p> <p>Decamethylcyclopentasiloxane (D5) (.5% in Component Part)</p> <p>Article Safe Usage Statements: Wash thoroughly after handling. Recycle if possible and dispose of the article by following all applicable governmental regulations relevant to your geographic location.</p>
Halogen Content	Not Low Halogen - contains Br or Cl > 900 ppm.
Solder Process Capability	Not reviewed for solder process capability

Product Compliance Disclaimer

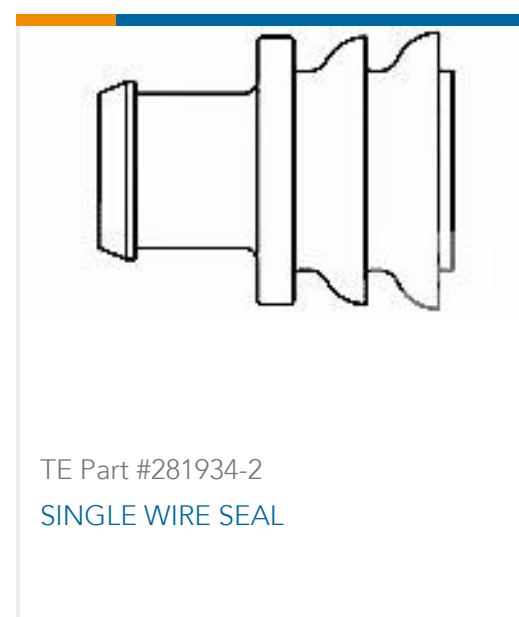
This information is provided based on reasonable inquiry of our suppliers and represents our current actual knowledge based on the information they provided. This information is subject to change. The part numbers that TE has identified as EU RoHS compliant have a maximum concentration of 0.1% by weight in homogenous materials for lead, hexavalent chromium, mercury, PBB, PBDE, DBP, BBP, DEHP, DIBP, and 0.01% for cadmium, or qualify for an exemption to these limits as defined in the Annexes of Directive 2011/65/EU (RoHS2). Finished electrical and electronic equipment products will be CE marked as required by Directive 2011/65/EU. Components may not be CE marked. Additionally, the part numbers that TE has identified as EU ELV compliant have a maximum concentration of 0.1% by weight in homogenous materials for lead, hexavalent chromium, and mercury, and 0.01% for cadmium, or qualify for an exemption to these limits as defined in the Annexes of Directive 2000/53/EC (ELV). Regarding the REACH Regulation, the information TE provides on SVHC in articles for this part number is based on the latest European Chemicals Agency (ECHA) 'Guidance on requirements for substances in articles' posted at this URL: <https://echa.europa.eu/guidance-documents/guidance-on-reach>

Compatible Parts

<p>TE Part # 2325106-2</p> <p>ADAPTER,2POS,1.2X0.6,PIN HSG ASSY</p>	<p>TE Part # 2373314-2</p> <p>8POS,MCON 1.2,TAB HSG ASSY,SLD</p>	<p>TE Part # 2339032-2</p> <p>2POS,TAB1.2X0.6,HDR ASSY,90DEG,SLDR</p>	<p>TE Part # 2339032-8</p> <p>2POS,TAB1.2X0.6,HDR ASSY,90DEG,SLDR</p>
---	--	---	---



Customers Also Bought



Documents

Product Drawings

2POS,MCON 1.2,REC HSG ASSY,SLD,COD B

English

CAD Files

3D PDF

3D

Customer View Model

[ENG_CVM_CVM_2345284-2_A.2d_dxf.zip](#)

English

Customer View Model

[ENG_CVM_CVM_2345284-2_A.3d_igs.zip](#)

English

Customer View Model

[ENG_CVM_CVM_2345284-2_A.3d_stp.zip](#)

English

By downloading the CAD file I accept and agree to the [Terms and Conditions](#) of use.

2345284-2

Wire-to-Board, 2 Position, .05 in [1.27 mm] Centerline, Sealable, Black, Signal, Cable
Mount (Free-Hanging), -40 – 257 °F [-40 – 125 °C], Key B



[Product Specifications](#)

[Application Specification](#)

English