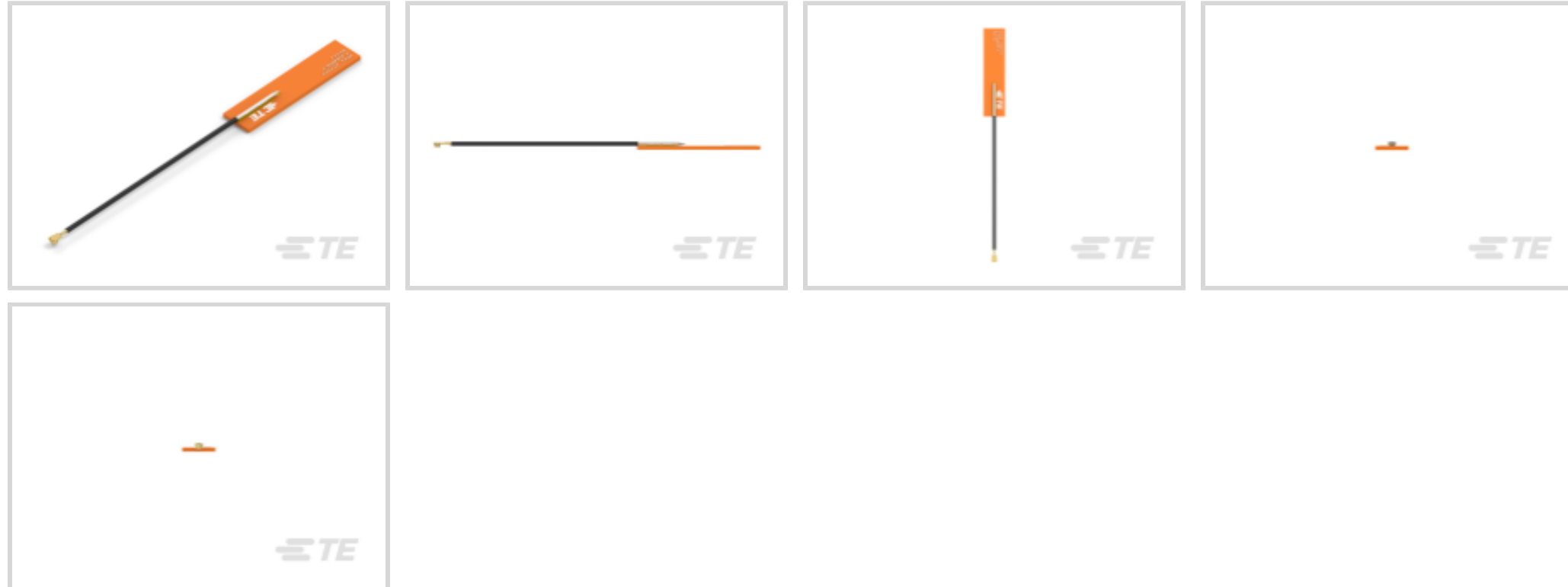




Antennas



Wireless Application: **Bluetooth, Wi-Fi, Zigbee**  
 Mounting Location: **Internal/Embedded**  
 Mounting Type: **Adhesive**  
 Antenna Termination: **MHF4**  
 Antenna Type: **PCB**

**Features**

**Product Type Features**

Antenna Termination	MHF4
---------------------	------

**Configuration Features**

Antenna Style	PCB
Mounting Location	Internal/Embedded
Antenna Type	PCB
Band Type	Triple Band
Port Configuration	Single Port

**Electrical Characteristics**

Antenna Operation	Passive
VSWR (Max)	<2.7:1
Impedance	50 Ω

**Signal Characteristics**

Gain (Max)	5.9 dB
Frequency Band	2450 – 2650 MHz, 5000 – 7000 MHz
Nominal Frequency Range	2400 – 7125



Peak Gain	3 < 6 dBi
-----------	-----------

### Body Features

Product Weight	1.2 g[.042 oz]
----------------	----------------

### Mechanical Attachment

Polarization	Linear
--------------	--------

Mounting Type	Adhesive
---------------	----------

### Dimensions

Cable Insulation Diameter (Max)	.7 mm[.028 in]
---------------------------------	----------------

Cable Length	.05 m[.16 ft]
--------------	---------------

Product Diameter	1.13 mm[.044 in]
------------------	------------------

Product Width	8 mm[.315 in]
---------------	---------------

Product Length	33 mm[1.299 in]
----------------	-----------------

Product Height	1 mm[.039 in]
----------------	---------------

### Operation/Application

Wireless Standard	802.11 a/b/g/n/ac/ad/ax, Bluetooth, ZigBee & Wi-Fi
-------------------	--

Directionality	Omnidirectional
----------------	-----------------

### Industry Standards

Wireless Application	Bluetooth, Wi-Fi, Zigbee
----------------------	--------------------------

Primary Application	Wi-Fi
---------------------	-------

### Product Availability

Applicable Region	Global
-------------------	--------

### Packaging Features

Packaging Method	Bag & Box
------------------	-----------

### Other

Precision Level	Standard
-----------------	----------

### Product Compliance

[For compliance documentation, visit the product page on TE.com>](#)

EU RoHS Directive 2011/65/EU	Compliant
------------------------------	-----------

EU ELV Directive 2000/53/EC	Compliant
-----------------------------	-----------

China RoHS 2 Directive MIIT Order No 32, 2016	No Restricted Materials Above Threshold
---	---



EU REACH Regulation (EC) No. 1907/2006

Current ECHA Candidate List: JUNE 2023 (235)

Candidate List Declared Against: JUNE 2023 (235)

Does not contain REACH SVHC

Halogen Content

Low Bromine/Chlorine - Br and Cl < 900 ppm per homogenous material. Also BFR /CFR/PVC Free

Solder Process Capability

Not applicable for solder process capability

Product Compliance Disclaimer

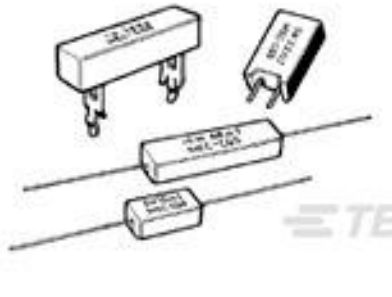
This information is provided based on reasonable inquiry of our suppliers and represents our current actual knowledge based on the information they provided. This information is subject to change. The part numbers that TE has identified as EU RoHS compliant have a maximum concentration of 0.1% by weight in homogenous materials for lead, hexavalent chromium, mercury, PBB, PBDE, DBP, BBP, DEHP, DIBP, and 0.01% for cadmium, or qualify for an exemption to these limits as defined in the Annexes of Directive 2011/65/EU (RoHS2). Finished electrical and electronic equipment products will be CE marked as required by Directive 2011/65/EU. Components may not be CE marked. Additionally, the part numbers that TE has identified as EU ELV compliant have a maximum concentration of 0.1% by weight in homogenous materials for lead, hexavalent chromium, and mercury, and 0.01% for cadmium, or qualify for an exemption to these limits as defined in the Annexes of Directive 2000/53/EC (ELV). Regarding the REACH Regulation, the information TE provides on SVHC in articles for this part number is based on the latest European Chemicals Agency (ECHA) 'Guidance on requirements for substances in articles' posted at this URL: <https://echa.europa.eu/guidance-documents/guidance-on-reach>

### Compatible Parts



TE Part # 2334884-1  
UMCC Micro-Coax receptacle, Gen 4

### Customers Also Bought



TE Part #1623783-7  
SQM7 22K 5% (METAL FILM)



TE Part #66359-9  
III+ PIN,18-14,15AU/FL,STRIP



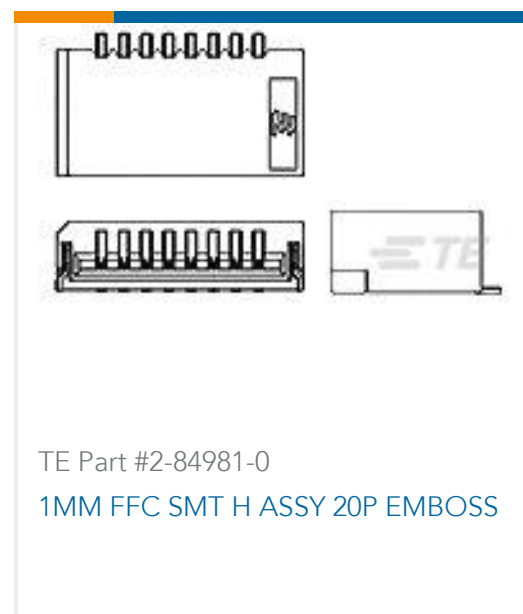
TE Part #1734839-8  
FPC CONN. 0.5MM PITCH T/C,8P



TE Part #1909763-1  
UMCC MICRO-COAX RECPT GEN 1 HIGHER LEVEL



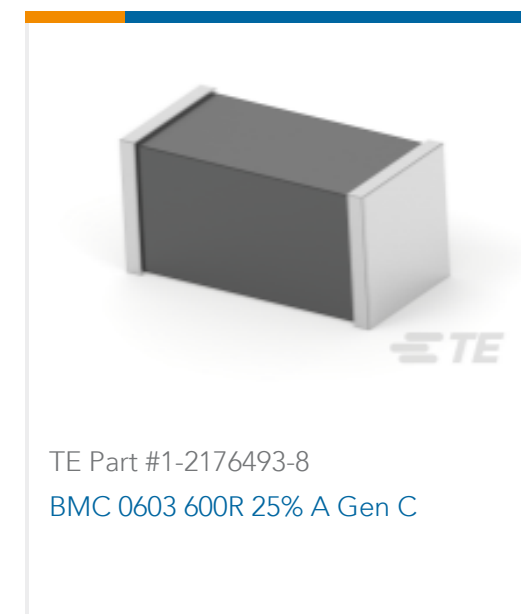
TE Part #1825232-1  
SLIDE SWITCH,SPDT,Right Angle



TE Part #2-84981-0  
1MM FFC SMT H ASSY 20P EMBOSS



TE Part #2344655-6  
PCB ANT, MHF 4, 100mm, Wi-Fi  
TRIPLE BAND



TE Part #1-2176493-8  
BMC 0603 600R 25% A Gen C



TE Part #2-826947-0  
MOD-2 PIN HDR.1X20P

## Documents

### Product Drawings

[PCB ANT, MHF 4, 50mm, Wi-Fi TRIPLE BAND](#)

English

### CAD Files

[3D PDF](#)

3D

Customer View Model

[ENG\\_CVM\\_CVM\\_2344655-5\\_B.2d\\_dxf.zip](#)

English

Customer View Model

[ENG\\_CVM\\_CVM\\_2344655-5\\_B.3d\\_igs.zip](#)

English

Customer View Model

[ENG\\_CVM\\_CVM\\_2344655-5\\_B.3d\\_stp.zip](#)

English

By downloading the CAD file I accept and agree to the [Terms and Conditions](#) of use.

### Datasheets & Catalog Pages

[2344655-X](#)

English

### Product Specifications

[Product Specification](#)

English

### Product Environmental Compliance

[Product Compliance](#)

2344655-5

PCB Antenna, Triple Band, Wi-Fi, Internal/Embedded Mount, Adhesive, MHF4, Omnidirectional, Single Port, Gain 3 < 6 dBi



English

**Product Compliance**

English