



**QSFP-DD**

TE Internal #: 2342934-3

QSFP-DD, None, Single, Wire-to-Board, Printed Circuit Board, 1 x 1, 1 Port, 1 Rear EONs per Port Column, Networking, QSFP-DD

[View on TE.com >](#)

Connectors > Pluggable IO Connectors & Cages > QSFP-DD



Lightpipe Configuration: **None**

Thermal Accessory Type Included: **Heat Sink**

Cage Type: **Single**

Connector System: **Wire-to-Board**

Sealable: **No**

**Features**

**Product Type Features**

Form Factor	QSFP-DD
Thermal Accessory Type Included	Heat Sink
Cage Type	Single
Connector System	Wire-to-Board
Sealable	No
Connector & Contact Terminates To	Printed Circuit Board

**Configuration Features**

Lightpipe Configuration	None
Port Matrix Configuration	1 x 1
Number of Ports	1
Number of Rear EONs per Port Column	1

**Body Features**

Heat Sink Style	Networking
Heat Sink Height Class	Networking



Heat Sink Height	13.5 mm[.531 in]
------------------	------------------

### Housing Features

Cage Material	Stainless Steel
---------------	-----------------

### Operation/Application

Circuit Application	Signal
---------------------	--------

### Other

Included Lightpipe	No
--------------------	----

## Product Compliance

[For compliance documentation, visit the product page on TE.com>](#)

EU RoHS Directive 2011/65/EU	Compliant
EU ELV Directive 2000/53/EC	Compliant
China RoHS 2 Directive MIIT Order No 32, 2016	No Restricted Materials Above Threshold
EU REACH Regulation (EC) No. 1907/2006	Current ECHA Candidate List: JUNE 2023 (235) Candidate List Declared Against: JUNE 2022 (224) Does not contain REACH SVHC
Halogen Content	Not Yet Reviewed for halogen content
Solder Process Capability	Not reviewed for solder process capability

#### Product Compliance Disclaimer

This information is provided based on reasonable inquiry of our suppliers and represents our current actual knowledge based on the information they provided. This information is subject to change. The part numbers that TE has identified as EU RoHS compliant have a maximum concentration of 0.1% by weight in homogenous materials for lead, hexavalent chromium, mercury, PBB, PBDE, DBP, BBP, DEHP, DIBP, and 0.01% for cadmium, or qualify for an exemption to these limits as defined in the Annexes of Directive 2011/65/EU (RoHS2). Finished electrical and electronic equipment products will be CE marked as required by Directive 2011/65/EU. Components may not be CE marked. Additionally, the part numbers that TE has identified as EU ELV compliant have a maximum concentration of 0.1% by weight in homogenous materials for lead, hexavalent chromium, and mercury, and 0.01% for cadmium, or qualify for an exemption to these limits as defined in the Annexes of Directive 2000/53/EC (ELV). Regarding the REACH Regulation, the information TE provides on SVHC in articles for this part number is based on the latest European Chemicals Agency (ECHA) 'Guidance on requirements for substances in articles' posted at this URL: <https://echa.europa.eu/guidance-documents/guidance-on-reach>

## Compatible Parts




TE Part # 2-2185264-2  
ASSY SEATING TOOL, QSFP DD 1X1



TE Part # 2323765-1  
DD-DD, 32AWG 2-8PR, 0.5M



TE Part # 2323765-2  
DD-DD, 32AWG 2-8PR, 1.0M



TE Part # 2323765-3  
DD-DD, 32AWG 2-8PR, 1.5M



TE Part # 2323766-1  
DD-DD, 30AWG 2-8PR, 0.5M



TE Part # 2323766-2  
DD-DD, 30AWG 2-8PR, 1.0M



TE Part # 2323766-3  
DD-DD, 30AWG 2-8PR, 1.5M



TE Part # 2323767-1  
DD-DD, 28AWG 2-8PR, 1.0M



TE Part # 2323767-2  
DD-DD, 28AWG 2-8PR, 1.5M



TE Part # 2323767-3  
DD-DD, 28AWG 2-8PR, 2.0M



TE Part # 2323767-4  
DD-DD, 28AWG 2-8PR, 2.5M



TE Part # 2327687-1  
DD-8\_SFP56, 32AWG, 0.5M



TE Part # 2327687-2  
DD-8\_SFP56, 32AWG, 1.0M



TE Part # 2327687-3  
DD-8\_SFP56, 32AWG, 1.5M



TE Part # 2327688-1  
DD-8\_SFP56, 30AWG, 0.5M



TE Part # 2327688-2  
DD-8\_SFP56, 30AWG, 1.0M



TE Part # 2327688-3  
DD-8\_SFP56, 30AWG, 1.5M



TE Part # 2327689-1  
DD-8\_SFP56, 28AWG, 1.0M



TE Part # 2327689-2  
DD-8\_SFP56, 28AWG, 1.5M



TE Part # 2327689-3  
DD-8\_SFP56, 28AWG, 2.0M

Also in the Series | **QSFP-DD**



Pluggable I/O Cable Assemblies(41)



QSFP-DD(36)

## Customers Also Bought



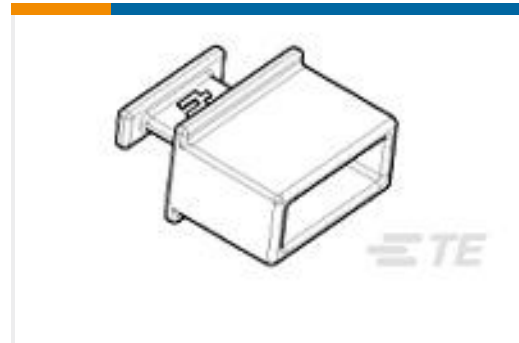
TE Part #2-1879022-5  
SMF3 3K3 5%



TE Part #2291931-1  
CDFP RCPT CONNECTOR & CAGE  
STYLE 1



TE Part #2007464-2  
SFP+ 1x1 Cage Assy, PF,with Heatsink



TE Part #1888810-2  
EMI/Dust Cover,XFP And QSFP



TE Part #1367147-3  
SFP COVER, UNPL, NO LOGO



TE Part #2317857-2  
DUST AND EMI PLUG, PLATED, OSFP



TE Part #3-647106-3  
03P MTA-100 HDR ASSY,SM,SN



TE Part #826949-2  
2P MOD2 STIFT LEI



TE Part #244854-E  
SMCQ 12 M AB VV 8-03 CL \* H007 137  
E005



TE Part #054595-E  
SMCB 26 M AB VV 3-03 CLHD \* 0007  
137 E00

## Documents

### Product Drawings

[QSFP-DD 1X1, STANDARD, W/ ZIPPER HS](#)

English

### CAD Files

[3D PDF](#)

[3D](#)

[Customer View Model](#)

[ENG\\_CVM\\_CVM\\_2342934-3\\_1.2d\\_dxf.zip](#)



English

**Customer View Model**

[ENG\\_CVM\\_CVM\\_2342934-3\\_1.3d\\_igs.zip](#)

English

**Customer View Model**

[ENG\\_CVM\\_CVM\\_2342934-3\\_1.3d\\_stp.zip](#)

English

By downloading the CAD file I accept and agree to the [Terms and Conditions](#) of use.

---

### Datasheets & Catalog Pages

[QSFP-DD Connectors and Cable Assemblies Portfolio Overview \(English\)](#)

English

[QSFP-DD Connectors and Cable Assemblies Portfolio Overview \(Chinese\)](#)

---

### Product Specifications

[Application Specification](#)

English