



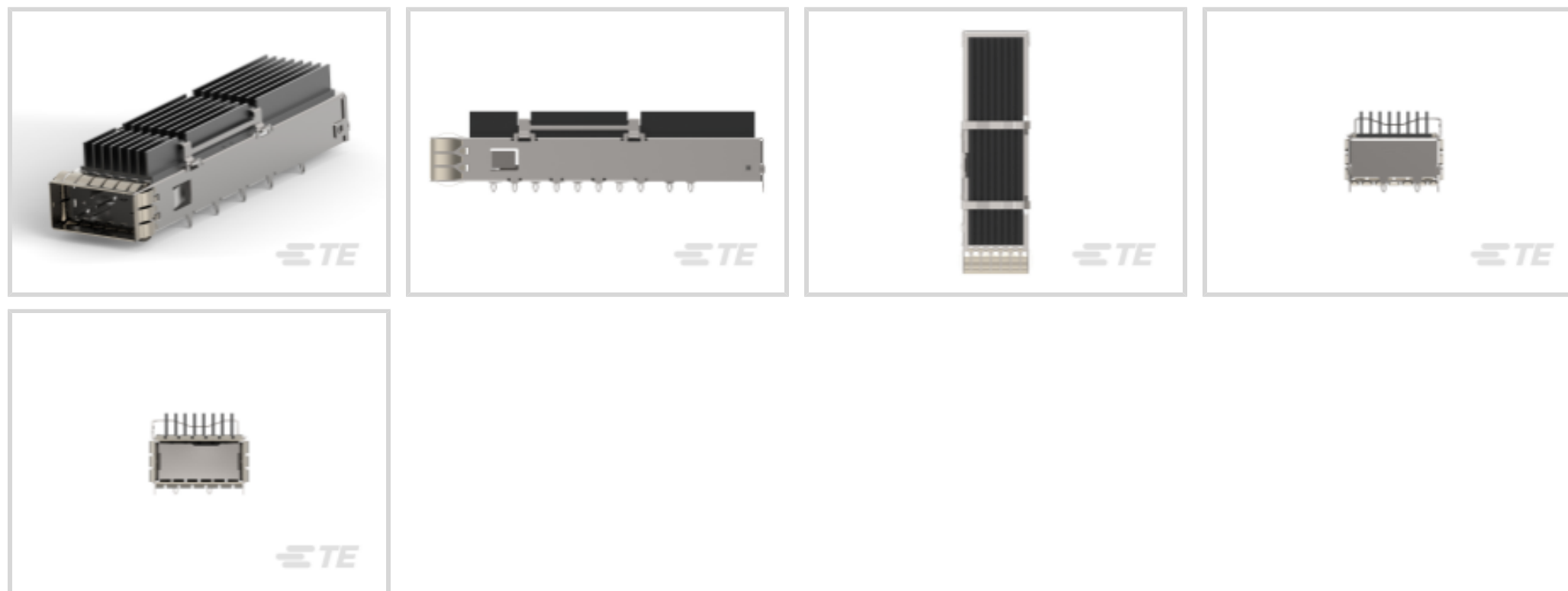
QSFP-DD

TE Internal #: 2342933-2

QSFP-DD, None, Single, Wire-to-Board, Printed Circuit Board, 1 x 1, 1 Port, 1 Rear EONs per Port Column, SAN, QSFP-DD

[View on TE.com >](#)

Connectors > Pluggable IO Connectors & Cages > QSFP-DD



Lightpipe Configuration: **None**

Thermal Accessory Type Included: **Heat Sink**

Cage Type: **Single**

Connector System: **Wire-to-Board**

Sealable: **No**

Features

Product Type Features

Form Factor	QSFP-DD
Thermal Accessory Type Included	Heat Sink
Cage Type	Single
Connector System	Wire-to-Board
Sealable	No
Connector & Contact Terminates To	Printed Circuit Board

Configuration Features

Lightpipe Configuration	None
Port Matrix Configuration	1 x 1
Number of Ports	1
Number of Rear EONs per Port Column	1

Body Features

Heat Sink Finish	Anodized Black
Heat Sink Style	SAN



Heat Sink Height Class	SAN
Heat Sink Height	6.5 mm[.256 in]

Housing Features

Cage Material	Stainless Steel
---------------	-----------------

Operation/Application

Circuit Application	Signal
---------------------	--------

Other

Included Lightpipe	No
--------------------	----

Product Compliance

[For compliance documentation, visit the product page on TE.com>](#)

EU RoHS Directive 2011/65/EU	Compliant
EU ELV Directive 2000/53/EC	Not Yet Reviewed
China RoHS 2 Directive MIIT Order No 32, 2016	No Restricted Materials Above Threshold
EU REACH Regulation (EC) No. 1907/2006	Current ECHA Candidate List: JUNE 2023 (235) Candidate List Declared Against: JAN 2021 (211) Does not contain REACH SVHC
Halogen Content	Not Yet Reviewed for halogen content
Solder Process Capability	Not reviewed for solder process capability

Product Compliance Disclaimer

This information is provided based on reasonable inquiry of our suppliers and represents our current actual knowledge based on the information they provided. This information is subject to change. The part numbers that TE has identified as EU RoHS compliant have a maximum concentration of 0.1% by weight in homogenous materials for lead, hexavalent chromium, mercury, PBB, PBDE, DBP, BBP, DEHP, DIBP, and 0.01% for cadmium, or qualify for an exemption to these limits as defined in the Annexes of Directive 2011/65/EU (RoHS2). Finished electrical and electronic equipment products will be CE marked as required by Directive 2011/65/EU. Components may not be CE marked. Additionally, the part numbers that TE has identified as EU ELV compliant have a maximum concentration of 0.1% by weight in homogenous materials for lead, hexavalent chromium, and mercury, and 0.01% for cadmium, or qualify for an exemption to these limits as defined in the Annexes of Directive 2000/53/EC (ELV). Regarding the REACH Regulation, the information TE provides on SVHC in articles for this part number is based on the latest European Chemicals Agency (ECHA) 'Guidance on requirements for substances in articles' posted at this URL: <https://echa.europa.eu/guidance-documents/guidance-on-reach>

Compatible Parts



TE Part # 2-2185264-1
ASSY SEATING TOOL, QSFP DD 1X1



TE Part # 2323765-1
DD-DD, 32AWG 2-8PR, 0.5M



TE Part # 2323765-2
DD-DD, 32AWG 2-8PR, 1.0M



TE Part # 2323765-3
DD-DD, 32AWG 2-8PR, 1.5M



TE Part # 2323766-1
DD-DD, 30AWG 2-8PR, 0.5M



TE Part # 2323766-2
DD-DD, 30AWG 2-8PR, 1.0M



TE Part # 2323766-3
DD-DD, 30AWG 2-8PR, 1.5M



TE Part # 2323767-1
DD-DD, 28AWG 2-8PR, 1.0M



TE Part # 2323767-2
DD-DD, 28AWG 2-8PR, 1.5M



TE Part # 2323767-3
DD-DD, 28AWG 2-8PR, 2.0M



TE Part # 2323767-4
DD-DD, 28AWG 2-8PR, 2.5M



TE Part # 2327687-1
DD-8_SFP56, 32AWG, 0.5M



TE Part # 2327687-2
DD-8_SFP56, 32AWG, 1.0M



TE Part # 2327687-3
DD-8_SFP56, 32AWG, 1.5M



TE Part # 2327688-1
DD-8_SFP56, 30AWG, 0.5M



TE Part # 2327688-2
DD-8_SFP56, 30AWG, 1.0M



TE Part # 2327688-3
DD-8_SFP56, 30AWG, 1.5M



TE Part # 2327689-1
DD-8_SFP56, 28AWG, 1.0M



TE Part # 2327689-2
DD-8_SFP56, 28AWG, 1.5M



TE Part # 2327689-3
DD-8_SFP56, 28AWG, 2.0M

Also in the Series | **QSFP-DD**



Pluggable I/O Cable Assemblies(41)

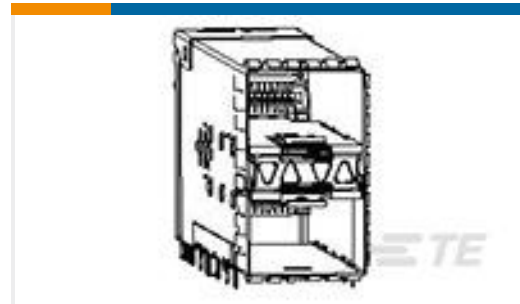


QSFP-DD(36)

Customers Also Bought



TE Part #1888247-2
20 POS SMT CONN, SFP/SFP+, 15A



TE Part #2198318-6
zSFP+ STACKED 2X1 RECEPTACLE ASSEMBLY



TE Part #1-1469492-7
MULTIGIG RT 9MM GUIDE/ESD 270 DEG



TE Part #1-1469491-2
MULTIGIG RT GUIDE PIN, 9MM 2.60 DEG



TE Part #1367147-3
SFP COVER, UNPL, NO LOGO



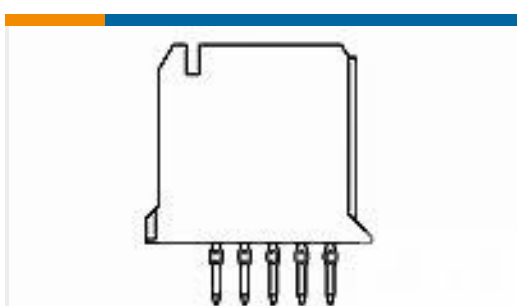
TE Part #2291634-1
SFP+ 1X1 CAGE ASSY, PF, WITH HEATSINK



TE Part #5223008-1
FB-5R, ASY, 030, SIG, REC, EN, 3.55



TE Part #2170704-3
CAGE ASSY, QSFP28 1X1, SPRING, HS



TE Part #5223652-1
2MM FB, 5RV, REC, ASY, 030, PF, 4.25

Documents

CAD Files

[3D PDF](#)

[3D](#)

Customer View Model

[ENG_CVM_CVM_2342933-2_B.2d_dxf.zip](#)

English

Customer View Model

[ENG_CVM_CVM_2342933-2_B.3d_igs.zip](#)



English

Customer View Model

[ENG_CVM_CVM_2342933-2_B.3d_stp.zip](#)

English

By downloading the CAD file I accept and agree to the [Terms and Conditions](#) of use.

Datasheets & Catalog Pages

[QSFP-DD Connectors and Cable Assemblies Portfolio Overview \(English\)](#)

English

[QSFP-DD Connectors and Cable Assemblies Portfolio Overview \(Chinese\)](#)

Product Specifications

[Application Specification](#)

English