



Alcoswitch | Alcoswitch AVP22

TE Internal #: 2342844-2

Push Button Switches, Single Pole - Single Throw Configuration (Pole-Throw), Anti-Vandal, 1 Actuator, Flush Actuator Profile, Alcoswitch AVP22

[View on TE.com >](#)

Relays, Contactors & Switches > Switches > Push Button Switches



Configuration (Pole-Throw): **Single Pole - Single Throw**

Push Button Switch Product Type: **Anti-Vandal**

Number of Actuators: **1**

Actuator Profile: **Flush**

Bushing Style: **Threaded**

Features

Product Type Features

| | |
|---------------------------------|-------------|
| Switch Type | Pushbutton |
| Dust Proof | Yes |
| Push Button Switch Product Type | Anti-Vandal |
| Illuminated | No |
| Actuator Style | Round |

Configuration Features

| | |
|----------------------------|--|
| ESD Grounding Terminal | Without |
| Ganged | No |
| Panel Cutout Size | 22.2 (Diameter) mm [.87 (Diameter) in] |
| Configuration (Pole-Throw) | Single Pole - Single Throw |
| Number of Actuators | 1 |
| Operating Function | Momentary |

Electrical Characteristics

| | |
|-----------------------------------|------------|
| Push Button Switch Voltage Rating | 5 – 24 VDC |
|-----------------------------------|------------|



Body Features

| | |
|---------------------|-------------|
| Actuator Force | 205 – 510 g |
| Cap Color | Black |
| Seal Type | Epoxy |
| Case Material | Aluminum |
| Actuator Material | Aluminum |
| Actuator Profile | Flush |
| Bushing Style | Threaded |
| Bushing Thread Size | M22 x 1 |
| Actuator Color | Black |

Contact Features

| | |
|---|------------|
| Type of Contact | 1 pole, NO |
| Push Button Switch Contact Current Rating | 1 A |

Termination Features

| | |
|------------------|------------|
| Termination Type | Long Leads |
|------------------|------------|

Mechanical Attachment

| | |
|----------------------------------|----------|
| Attachment Method | Screw-On |
| Mounting Angle | Vertical |
| Thread Size | M22 x 1 |
| Push Button Switch Mounting Type | Panel |

Housing Features

| | |
|-------------|-----|
| Low Profile | Yes |
|-------------|-----|

Dimensions

| | |
|------------------|---------------|
| Bushing Diameter | 22 mm[.87 in] |
| Bushing Length | 17 mm[.67 in] |

Usage Conditions

| | |
|--------------------|----------|
| Oil-Tight | No |
| Temperature Rating | Standard |

Industry Standards

| | |
|-----------|------|
| IP Rating | IP68 |
|-----------|------|

Packaging Features

| | |
|--|--|
| | |
|--|--|



| | |
|------------------|-------------|
| Packaging Method | Loose Piece |
|------------------|-------------|

Product Compliance

[For compliance documentation, visit the product page on TE.com>](#)

| | |
|---|--|
| EU RoHS Directive 2011/65/EU | Compliant with Exemptions |
| EU ELV Directive 2000/53/EC | Compliant with Exemptions |
| China RoHS 2 Directive MIIT Order No 32, 2016 | Restricted Materials Above Threshold |
| EU REACH Regulation (EC) No. 1907/2006 | <p>Current ECHA Candidate List: JUNE 2023 (235) Candidate List Declared Against: JUL 2021 (219) SVHC > Threshold: Pb (85% in component part)</p> <p>Article Safe Usage Statements: Do not eat, drink or smoke when using this product. Wash thoroughly after handling. Recycle if possible and dispose of the article by following all applicable governmental regulations relevant to your geographic location.</p> |
| Halogen Content | Low Halogen - Br, Cl, F, I < 900 ppm per homogenous material. Also BFR/CFR/PVC Free |
| Solder Process Capability | Not reviewed for solder process capability |

Product Compliance Disclaimer

This information is provided based on reasonable inquiry of our suppliers and represents our current actual knowledge based on the information they provided. This information is subject to change. The part numbers that TE has identified as EU RoHS compliant have a maximum concentration of 0.1% by weight in homogenous materials for lead, hexavalent chromium, mercury, PBB, PBDE, DBP, BBP, DEHP, DIBP, and 0.01% for cadmium, or qualify for an exemption to these limits as defined in the Annexes of Directive 2011/65/EU (RoHS2). Finished electrical and electronic equipment products will be CE marked as required by Directive 2011/65/EU. Components may not be CE marked. Additionally, the part numbers that TE has identified as EU ELV compliant have a maximum concentration of 0.1% by weight in homogenous materials for lead, hexavalent chromium, and mercury, and 0.01% for cadmium, or qualify for an exemption to these limits as defined in the Annexes of Directive 2000/53/EC (ELV). Regarding the REACH Regulation, the information TE provides on SVHC in articles for this part number is based on the latest European Chemicals Agency (ECHA) 'Guidance on requirements for substances in articles' posted at this URL: <https://echa.europa.eu/guidance-documents/guidance-on-reach>

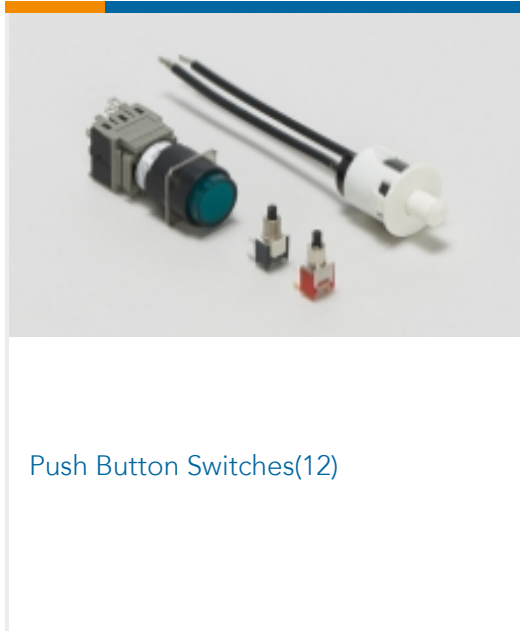
Compatible Parts

| | | | |
|--|---|--|---|
|  <p>TE Part # 2213772-5 AV22 SPM 5A MOVE RING LED RED 12V</p> |  <p>TE Part # 1-2213772-7 AV22 SPM 5A MOVE RING LED BLUE 12V</p> |  <p>TE Part # 5-2213772-5 AV22 DPM 5A MOVE RING LED GREEN 24V</p> |  <p>TE Part # 2213771-1 AV22 SPM 5A NO LED</p> |
|--|---|--|---|



TE Part # 1-2213772-3
AV22 SPM 5A MOVE RING LED
GREEN 12V

Also in the Series | Alcoswitch AVP22



Push Button Switches(12)

Customers Also Bought



TE Part #206070-8
CABLE CLAMP KIT #17



TE Part #DT06-2S
PLG, 2P, GRY, N



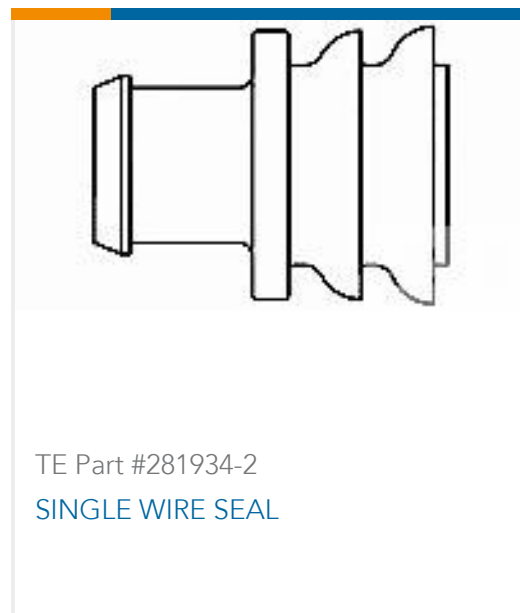
TE Part #W2S
Wedgelocks: DEUTSCH DT



TE Part #0462-201-16141
DEUTSCH Solid Contacts



TE Part #282104-1
AMP SUPERSEAL 1.5MM,
CONNECTOR HOUSING



TE Part #281934-2
SINGLE WIRE SEAL



TE Part #DT04-2P
REC, 2P, GRY, N

Documents

Product Drawings

AVP22M CONC. AIB NL 500MM/1X6

English

CAD Files

3D PDF

3D



Customer View Model

[ENG_CVM_CVM_2342844-2_A.2d_dxf.zip](#)

English

Customer View Model

[ENG_CVM_CVM_2342844-2_A.3d_igs.zip](#)

English

Customer View Model

[ENG_CVM_CVM_2342844-2_A.3d_stp.zip](#)

English

By downloading the CAD file I accept and agree to the [Terms and Conditions](#) of use.

Datasheets & Catalog Pages

[AVP Series Anti Vandal Illuminated and Non-Illuminated Piezo Switches](#)

English