



Alcoswitch | Alcoswitch AVP22

TE Internal #: 2342843-1

Push Button Switches, Single Pole - Single Throw Configuration (Pole-Throw), Anti-Vandal, Single Actuator, Flush Actuator Profile, Alcoswitch AVP22

[View on TE.com >](#)

Relays, Contactors & Switches > Switches > Push Button Switches



Configuration (Pole-Throw): **Single Pole - Single Throw**

Push Button Switch Product Type: **Anti-Vandal**

Number of Actuators: **Single**

Actuator Profile: **Flush**

Bushing Style: **Threaded**

Features

Product Type Features

Switch Type	Pushbutton
Dust Proof	Yes
Push Button Switch Product Type	Anti-Vandal
Illuminated	Yes
Actuator Style	Round

Configuration Features

ESD Grounding Terminal	Without
Ganged	No
Panel Cutout Size	22.2 (Diameter) mm [.87 (Diameter) in]
Configuration (Pole-Throw)	Single Pole - Single Throw
Number of Actuators	Single
Operating Function	Momentary

Electrical Characteristics

Push Button Switch Voltage Rating	5 – 24 VDC
-----------------------------------	------------



Body Features

Actuator Force	204 – 510 g
Cap Color	Silver
Seal Type	Epoxy
Case Material	Aluminum
Actuator Material	Aluminum
Actuator Profile	Flush
Bushing Style	Threaded
Bushing Thread Size	M22 x 1
Actuator Color	Silver

Contact Features

Type of Contact	1 pole, NO
Push Button Switch Contact Current Rating	1 A

Termination Features

Termination Type	Long Leads
------------------	------------

Mechanical Attachment

Attachment Method	Screw-On
Mounting Angle	Vertical
Thread Size	M22 x 1
Push Button Switch Mounting Type	Panel

Housing Features

Low Profile	Yes
-------------	-----

Dimensions

Bushing Diameter	22 mm[.87 in]
Bushing Length	17 mm[.67 in]

Usage Conditions

Oil-Tight	No
Temperature Rating	Standard

Industry Standards

IP Rating	IP68
-----------	------

Packaging Features

--	--



Packaging Method	Loose Piece
------------------	-------------

Product Compliance

[For compliance documentation, visit the product page on TE.com>](#)

EU RoHS Directive 2011/65/EU	Compliant with Exemptions
EU ELV Directive 2000/53/EC	Compliant with Exemptions
China RoHS 2 Directive MIIT Order No 32, 2016	Restricted Materials Above Threshold
EU REACH Regulation (EC) No. 1907/2006	Current ECHA Candidate List: JUNE 2023 (235) Candidate List Declared Against: JUNE 2022 (224) Does not contain REACH SVHC
Halogen Content	Low Halogen - Br, Cl, F, I < 900 ppm per homogenous material. Also BFR/CFR/PVC Free
Solder Process Capability	Not reviewed for solder process capability

Product Compliance Disclaimer

This information is provided based on reasonable inquiry of our suppliers and represents our current actual knowledge based on the information they provided. This information is subject to change. The part numbers that TE has identified as EU RoHS compliant have a maximum concentration of 0.1% by weight in homogenous materials for lead, hexavalent chromium, mercury, PBB, PBDE, DBP, BBP, DEHP, DIBP, and 0.01% for cadmium, or qualify for an exemption to these limits as defined in the Annexes of Directive 2011/65/EU (RoHS2). Finished electrical and electronic equipment products will be CE marked as required by Directive 2011/65/EU. Components may not be CE marked. Additionally, the part numbers that TE has identified as EU ELV compliant have a maximum concentration of 0.1% by weight in homogenous materials for lead, hexavalent chromium, and mercury, and 0.01% for cadmium, or qualify for an exemption to these limits as defined in the Annexes of Directive 2000/53/EC (ELV). Regarding the REACH Regulation, the information TE provides on SVHC in articles for this part number is based on the latest European Chemicals Agency (ECHA) 'Guidance on requirements for substances in articles' posted at this URL: <https://echa.europa.eu/guidance-documents/guidance-on-reach>

Compatible Parts

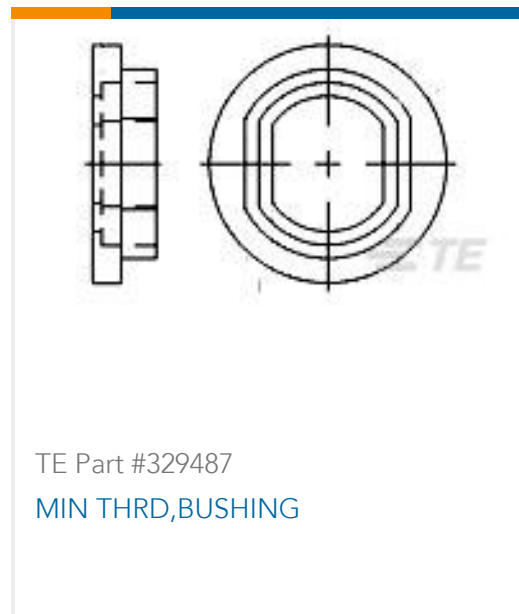
 <p>TE Part # 2213772-5 AV22 SPM 5A MOVE RING LED RED 12V</p>	 <p>TE Part # 1-2213772-7 AV22 SPM 5A MOVE RING LED BLUE 12V</p>	 <p>TE Part # 2213771-1 AV22 SPM 5A NO LED</p>	 <p>TE Part # 1-2213772-3 AV22 SPM 5A MOVE RING LED GREEN 12V</p>
--	---	---	--



Also in the Series | Alcoswitch AVP22



Customers Also Bought



Documents

Product Drawings

AVP22M CONC. AIO RGB R 500MM/1X6

English

CAD Files

3D PDF

3D



Customer View Model

[ENG_CVM_CVM_2342843-1_A.2d_dxf.zip](#)

English

Customer View Model

[ENG_CVM_CVM_2342843-1_A.3d_igs.zip](#)

English

Customer View Model

[ENG_CVM_CVM_2342843-1_A.3d_stp.zip](#)

English

By downloading the CAD file I accept and agree to the [Terms and Conditions](#) of use.

Datasheets & Catalog Pages

[AVP Series Anti Vandal Illuminated and Non-Illuminated Piezo Switches](#)

English