



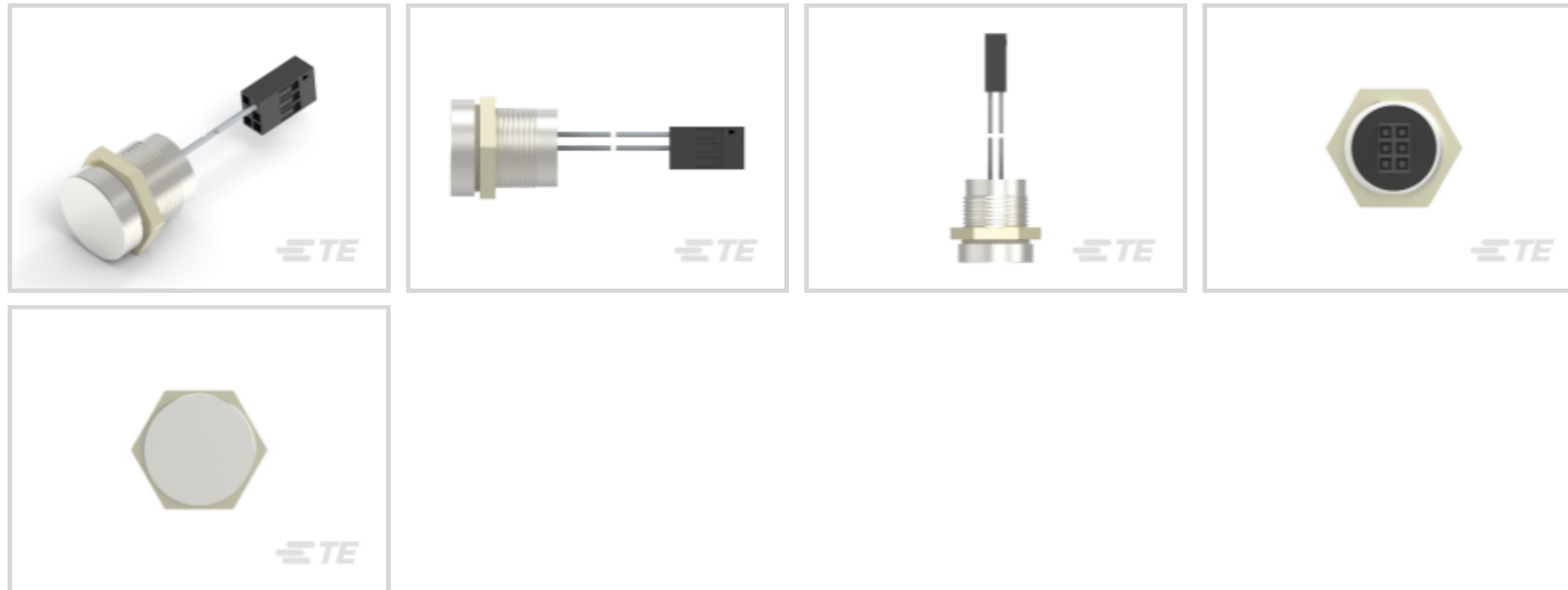
Alcoswitch | Alcoswitch AVP16

TE Internal #: 2342838-3

Push Button Switches, Single Pole - Single Throw Configuration (Pole-Throw), Anti-Vandal, Single Actuator, Extended Actuator Profile, Alcoswitch AVP16

[View on TE.com >](#)

Relays, Contactors & Switches > Switches > Push Button Switches



Configuration (Pole-Throw): **Single Pole - Single Throw**

Push Button Switch Product Type: **Anti-Vandal**

Number of Actuators: **Single**

Actuator Profile: **Extended**

Bushing Style: **Threaded**

Features

Product Type Features

Switch Type	Pushbutton
Dust Proof	Yes
Push Button Switch Product Type	Anti-Vandal
Illuminated	No
Actuator Style	Round

Configuration Features

ESD Grounding Terminal	Without
Ganged	No
Panel Cutout Size	16 (Diameter) mm[.63 (Diameter) in]
Configuration (Pole-Throw)	Single Pole - Single Throw
Number of Actuators	Single
Operating Function	Momentary

Electrical Characteristics

Push Button Switch Voltage Rating	5 – 24 VDC
-----------------------------------	------------



Body Features

Actuator Force	204 – 510 g
Cap Color	Silver
Seal Type	Epoxy
Case Material	Stainless Steel
Actuator Material	Steel
Actuator Profile	Extended
Bushing Style	Threaded
Bushing Thread Size	M16 x 1
Actuator Color	Silver

Contact Features

Type of Contact	1 pole, NO
Push Button Switch Contact Current Rating	1 A

Termination Features

Termination Type	Long Leads
------------------	------------

Mechanical Attachment

Attachment Method	Screw-On
Mounting Angle	Vertical
Thread Size	M16 x 1
Push Button Switch Mounting Type	Panel

Housing Features

Low Profile	No
-------------	----

Dimensions

Bushing Diameter	16 mm[.63 in]
Bushing Length	15.5 mm[.61 in]

Usage Conditions

Oil-Tight	No
Temperature Rating	Standard

Industry Standards

IP Rating	IP68
-----------	------

Packaging Features

--	--



Packaging Method	Loose Piece
------------------	-------------

Product Compliance

[For compliance documentation, visit the product page on TE.com>](#)

EU RoHS Directive 2011/65/EU	Compliant with Exemptions
EU ELV Directive 2000/53/EC	Compliant with Exemptions
China RoHS 2 Directive MIIT Order No 32, 2016	Restricted Materials Above Threshold
EU REACH Regulation (EC) No. 1907/2006	Current ECHA Candidate List: JUNE 2023 (235) Candidate List Declared Against: JUL 2021 (219) SVHC > Threshold: Pb (85% in component part) Article Safe Usage Statements: Do not eat, drink or smoke when using this product. Wash thoroughly after handling. Recycle if possible and dispose of the article by following all applicable governmental regulations relevant to your geographic location.
Halogen Content	Low Halogen - Br, Cl, F, I < 900 ppm per homogenous material. Also BFR/CFR/PVC Free
Solder Process Capability	Not reviewed for solder process capability

Product Compliance Disclaimer

This information is provided based on reasonable inquiry of our suppliers and represents our current actual knowledge based on the information they provided. This information is subject to change. The part numbers that TE has identified as EU RoHS compliant have a maximum concentration of 0.1% by weight in homogenous materials for lead, hexavalent chromium, mercury, PBB, PBDE, DBP, BBP, DEHP, DIBP, and 0.01% for cadmium, or qualify for an exemption to these limits as defined in the Annexes of Directive 2011/65/EU (RoHS2). Finished electrical and electronic equipment products will be CE marked as required by Directive 2011/65/EU. Components may not be CE marked. Additionally, the part numbers that TE has identified as EU ELV compliant have a maximum concentration of 0.1% by weight in homogenous materials for lead, hexavalent chromium, and mercury, and 0.01% for cadmium, or qualify for an exemption to these limits as defined in the Annexes of Directive 2000/53/EC (ELV). Regarding the REACH Regulation, the information TE provides on SVHC in articles for this part number is based on the latest European Chemicals Agency (ECHA) 'Guidance on requirements for substances in articles' posted at this URL: <https://echa.europa.eu/guidance-documents/guidance-on-reach>

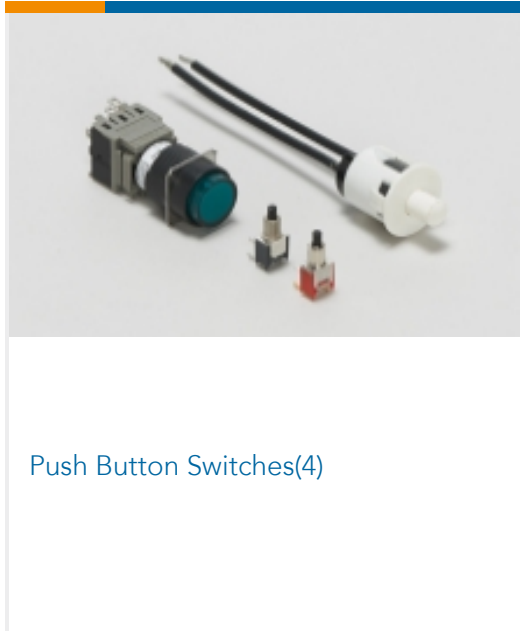
Compatible Parts

 <p>TE Part # 2213775-3 AV16 SPM 0.4VA POWER LED RED 12V</p>	 <p>TE Part # 2213775-7 AV16 SPM 0.4VA POWER LED GREEN 12V</p>	 <p>TE Part # 2213775-9 AV16 SPM 0.4VA POWER LED BLUE 12V</p>	 <p>TE Part # 2213774-7 AV16 SPM 0.4VA FIX RING LED GREEN 12V</p>
---	---	--	--



TE Part # 2213774-3
AV16 SPM 0.4VA FIX RING LED RED
12V

Also in the Series | Alcoswitch AVP16



Push Button Switches(4)

Customers Also Bought



TE Part #206070-8
CABLE CLAMP KIT #17



TE Part #DT04-2P
REC, 2P, GRY, N



TE Part #DT06-2S
PLG, 2P, GRY, N



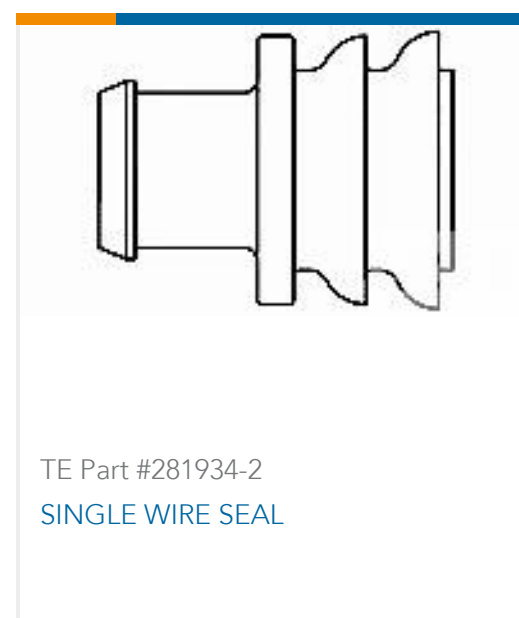
TE Part #W2P
Wedgelocks: DEUTSCH DT



TE Part #0462-201-16141
DEUTSCH Solid Contacts



TE Part #282080-1
AMP SUPERSEAL 1.5MM,
CONNECTOR HOUSING



TE Part #281934-2
SINGLE WIRE SEAL

Documents

Product Drawings

[AVP16M H. FLAT S04 NL 500MM/2X3](#)

English

CAD Files

[3D PDF](#)

[3D](#)



Customer View Model

[ENG_CVM_CVM_2342838-3_A.2d_dxf.zip](#)

English

Customer View Model

[ENG_CVM_CVM_2342838-3_A.3d_igs.zip](#)

English

Customer View Model

[ENG_CVM_CVM_2342838-3_A.3d_stp.zip](#)

English

By downloading the CAD file I accept and agree to the [Terms and Conditions](#) of use.

Datasheets & Catalog Pages

[AVP Series Anti Vandal Illuminated and Non-Illuminated Piezo Switches](#)

English