



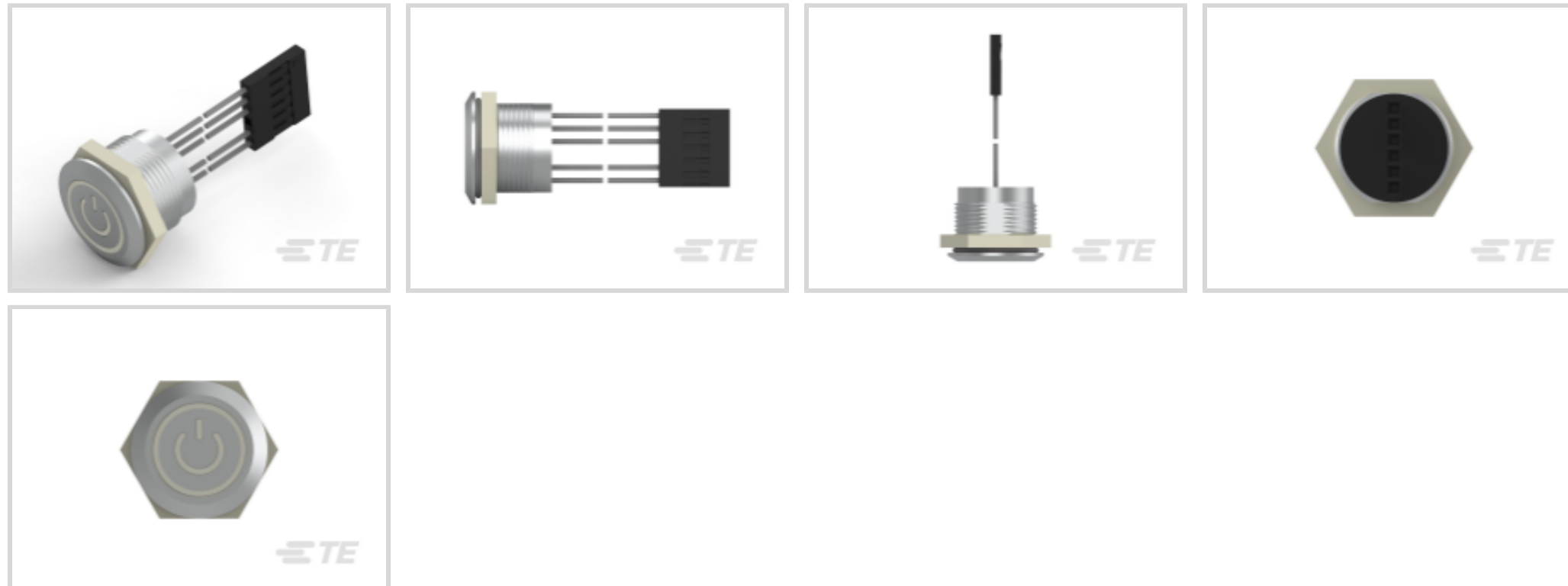
Alcoswitch | Alcoswitch AVC19

TE Internal #: 2342835-2

Push Button Switches, Single Pole - Single Throw Configuration (Pole-Throw), Anti-Vandal, Single Actuator, Flush Actuator Profile, Alcoswitch AVC19

[View on TE.com >](#)

Relays, Contactors & Switches > Switches > Push Button Switches



Configuration (Pole-Throw): **Single Pole - Single Throw**

Push Button Switch Product Type: **Anti-Vandal**

Number of Actuators: **Single**

Actuator Profile: **Flush**

Bushing Style: **Threaded**

## Features

### Product Type Features

Switch Type	Pushbutton
Dust Proof	Yes
Push Button Switch Product Type	Anti-Vandal
Illuminated	Yes
Actuator Style	Round

### Configuration Features

ESD Grounding Terminal	Without
Ganged	No
Panel Cutout Size	19.2 (Diameter) mm [.76 (Diameter) in]
Configuration (Pole-Throw)	Single Pole - Single Throw
Number of Actuators	Single
Tactile	No
Operating Function	On Off

### Electrical Characteristics



Push Button Switch Voltage Rating	5 – 24 VDC
-----------------------------------	------------

### Body Features

Cap Color	Silver
-----------	--------

Seal Type	Epoxy
-----------	-------

Actuator Force	0 g[0 oz]
----------------	-----------

Case Material	Aluminum
---------------	----------

Actuator Material	Aluminum
-------------------	----------

Actuator Profile	Flush
------------------	-------

Bushing Style	Threaded
---------------	----------

Bushing Thread Size	M19 x 1
---------------------	---------

Actuator Color	Silver
----------------	--------

### Contact Features

Type of Contact	1 pole, NO
-----------------	------------

Push Button Switch Contact Current Rating	1 A
---	-----

### Termination Features

Termination Type	Long Leads
------------------	------------

### Mechanical Attachment

Attachment Method	Screw-On
-------------------	----------

Mounting Angle	Vertical
----------------	----------

Thread Size	M19 x 1
-------------	---------

Push Button Switch Mounting Type	Panel
----------------------------------	-------

### Housing Features

Low Profile	Yes
-------------	-----

### Dimensions

Bushing Diameter	19 mm[.75 in]
------------------	---------------

Bushing Length	15 mm[.59 in]
----------------	---------------

### Usage Conditions

Oil-Tight	No
-----------	----

Temperature Rating	Standard
--------------------	----------

### Industry Standards

IP Rating	IP68
-----------	------



### Packaging Features

Packaging Method	Loose Piece
------------------	-------------

### Product Compliance

[For compliance documentation, visit the product page on TE.com>](#)

EU RoHS Directive 2011/65/EU	Compliant with Exemptions
EU ELV Directive 2000/53/EC	Compliant with Exemptions
China RoHS 2 Directive MIIT Order No 32, 2016	Restricted Materials Above Threshold
EU REACH Regulation (EC) No. 1907/2006	<p>Current ECHA Candidate List: JUNE 2023 (235)</p> <p>Candidate List Declared Against: JUL 2021 (219)</p> <p>SVHC &gt; Threshold: Pb (85% in component part)</p> <p><b>Article Safe Usage Statements:</b> Do not eat, drink or smoke when using this product. Wash thoroughly after handling. Recycle if possible and dispose of the article by following all applicable governmental regulations relevant to your geographic location.</p>
Halogen Content	Low Halogen - Br, Cl, F, I < 900 ppm per homogenous material. Also BFR/CFR/PVC Free
Solder Process Capability	Not reviewed for solder process capability

#### Product Compliance Disclaimer

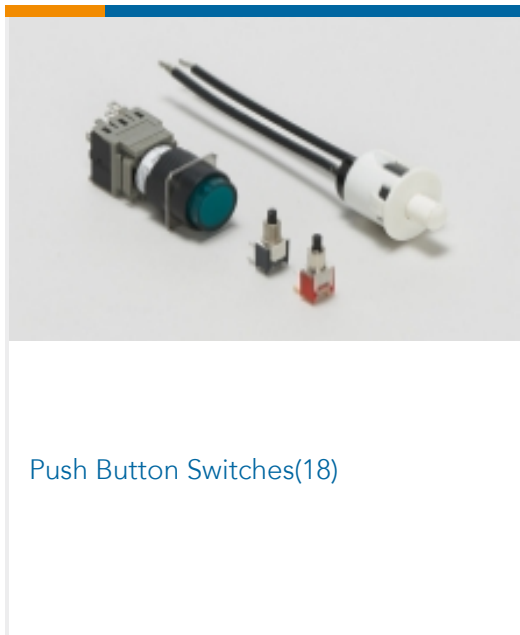
This information is provided based on reasonable inquiry of our suppliers and represents our current actual knowledge based on the information they provided. This information is subject to change. The part numbers that TE has identified as EU RoHS compliant have a maximum concentration of 0.1% by weight in homogenous materials for lead, hexavalent chromium, mercury, PBB, PBDE, DBP, BBP, DEHP, DIBP, and 0.01% for cadmium, or qualify for an exemption to these limits as defined in the Annexes of Directive 2011/65/EU (RoHS2). Finished electrical and electronic equipment products will be CE marked as required by Directive 2011/65/EU. Components may not be CE marked. Additionally, the part numbers that TE has identified as EU ELV compliant have a maximum concentration of 0.1% by weight in homogenous materials for lead, hexavalent chromium, and mercury, and 0.01% for cadmium, or qualify for an exemption to these limits as defined in the Annexes of Directive 2000/53/EC (ELV). Regarding the REACH Regulation, the information TE provides on SVHC in articles for this part number is based on the latest European Chemicals Agency (ECHA) 'Guidance on requirements for substances in articles' posted at this URL: <https://echa.europa.eu/guidance-documents/guidance-on-reach>

### Compatible Parts

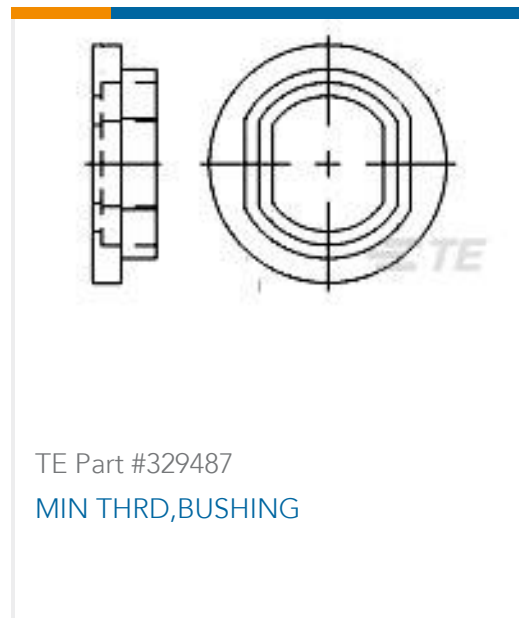
 <p>TE Part # 2213763-1 AV19 SPM 5A NO LED</p>	 <p>TE Part # 3-2213766-7 AV19 SPL 5A POWER LED BLUE 12V</p>	 <p>TE Part # 2213763-5 AV19 DPM 5A NO LED</p>	 <p>TE Part # 2213763-7 AV19 DPL 3A NO LED</p>
---	---	---	---



### Also in the Series | Alcoswitch AVC19



### Customers Also Bought



### Documents

#### Product Drawings

[AVC19L FLAT AIO RED RL 500MM/1X6](#)

English

#### CAD Files

[3D PDF](#)

[3D](#)



**Customer View Model**

[ENG\\_CVM\\_CVM\\_2342835-2\\_A.2d\\_dxf.zip](#)

English

**Customer View Model**

[ENG\\_CVM\\_CVM\\_2342835-2\\_A.3d\\_igs.zip](#)

English

**Customer View Model**

[ENG\\_CVM\\_CVM\\_2342835-2\\_A.3d\\_stp.zip](#)

English

By downloading the CAD file I accept and agree to the [Terms and Conditions](#) of use.

**Datasheets & Catalog Pages**

[AVC Series - Anti-Vandal Illuminated Capacitive Switches](#)

English