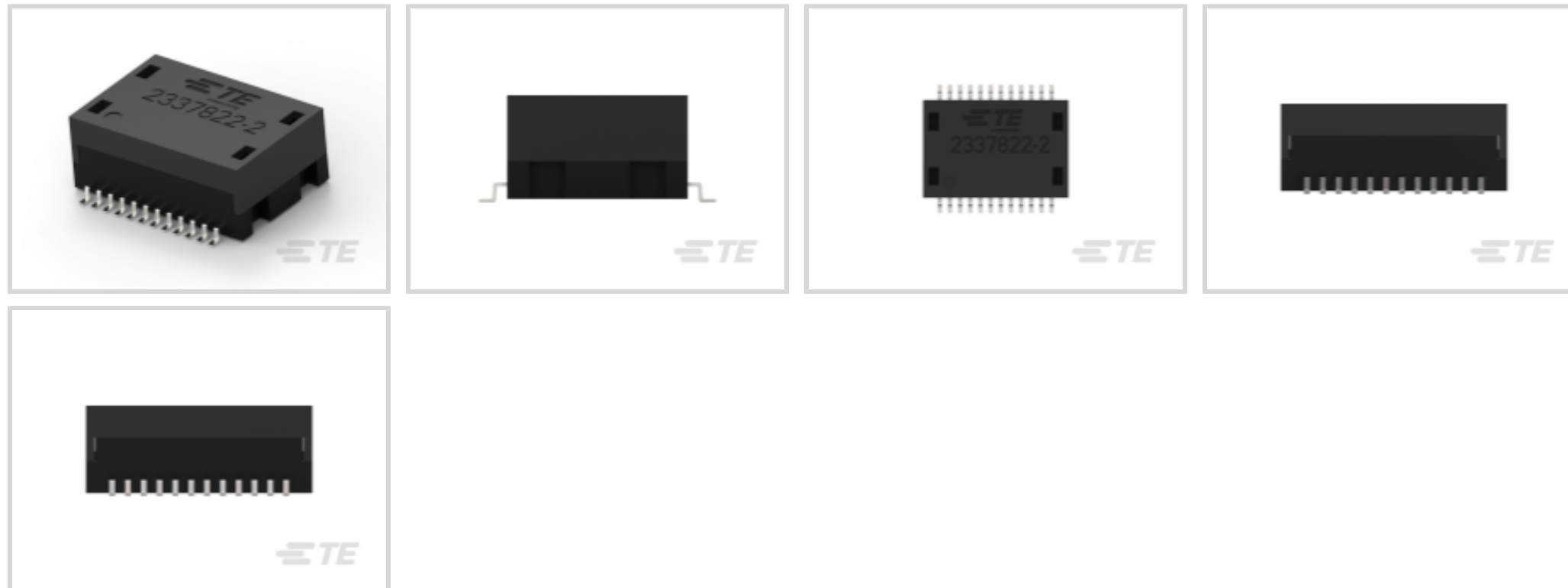




EMI & EMC Solutions > EMI Filters > Modular Jack Filters



Features

Product Type Features

Filter Connector Type	8-Pin Jack, RJ45 Connector
Output Termination Type	PCB Mount
Filtering Requirements	Filtered

Configuration Features

Number of Loaded Positions	8
----------------------------	---

Product Compliance

[For compliance documentation, visit the product page on TE.com>](#)

EU RoHS Directive 2011/65/EU	Compliant
EU ELV Directive 2000/53/EC	Compliant
China RoHS 2 Directive MIIT Order No 32, 2016	No Restricted Materials Above Threshold
EU REACH Regulation (EC) No. 1907/2006	Current ECHA Candidate List: JUNE 2023 (235) Candidate List Declared Against: JUNE 2023 (235) Does not contain REACH SVHC
Halogen Content	Low Halogen - Br, Cl, F, I < 900 ppm per homogenous material. Also BFR/CFR/PVC Free
Solder Process Capability	Reflow solder capable to 260°C

Product Compliance Disclaimer

This information is provided based on reasonable inquiry of our suppliers and represents our current actual knowledge based on the information they provided. This information is subject to change. The part numbers that TE has identified as EU RoHS compliant have a maximum concentration of 0.1% by weight in homogenous materials for lead, hexavalent chromium, mercury, PBB, PBDE, DBP, BBP, DEHP, DIBP, and 0.01% for cadmium, or qualify for an exemption to these limits as defined in the Annexes of Directive 2011/65/EU (RoHS2). Finished electrical and electronic equipment products will be CE marked as required by Directive 2011/65/EU. Components may not be CE marked. Additionally, the part numbers that TE has identified as EU ELV compliant have a maximum concentration of 0.1% by weight in homogenous materials for lead, hexavalent chromium, and mercury, and 0.01% for cadmium, or qualify for an exemption to these limits as defined in the Annexes of Directive 2000/53/EC (ELV). Regarding the REACH Regulation, the information TE provides on SVHC in articles for this part number is based on the latest European Chemicals Agency (ECHA) 'Guidance on requirements for substances in articles' posted at this URL: <https://echa.europa.eu/guidance-documents/guidance-on-reach>

Compatible Parts




TE Part # 1-406541-1
MJ,INV,1X1,6PNL G.,100"ST,SN



TE Part # 1987236-1
RJ45 CONNECTOR IP20 45 DEG., INDUSTRIAL

Also in the Series | Ethernet Magnetics



Modular Jack Filters(30)

Customers Also Bought



TE Part #5499206-2
A/L UNIV HDR 14P VERT LG LAT



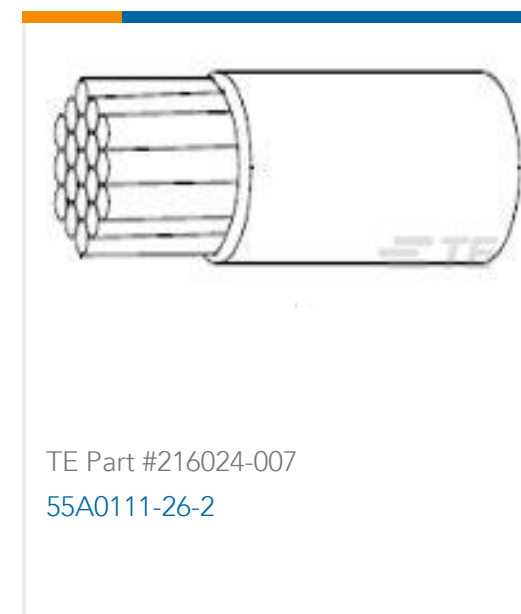
TE Part #5-102618-4
12 MODII HDR DRST SHRD .100CL



TE Part #5-104069-2
50 sys 50 hdr drra shrd sn



TE Part #5103309-3
A/L LOW PRO HDR 16P VERT BLACK



Documents

Product Drawings

[DISCR.ETH.MAG. 1GB SINGLE SMT](#)

English

CAD Files

[3D PDF](#)

3D

Customer View Model

[ENG_CVM_CVM_2337822-2_A.2d_dxf.zip](#)

English

Customer View Model

[ENG_CVM_CVM_2337822-2_A.3d_igs.zip](#)

English

Customer View Model

[ENG_CVM_CVM_2337822-2_A.3d_stp.zip](#)

English

By downloading the CAD file I accept and agree to the [Terms and Conditions](#) of use.

Datasheets & Catalog Pages

[DISCRETE MAGNETICS FOR INDUSTRIAL ETHERNET](#)

English

Product Specifications

[Application Specification](#)

English

Product Environmental Compliance

[Product Compliance](#)



English

[Product Compliance](#)

English