

2337275-1 ✓ ACTIVE



TE Internal #: 2337275-1

Crown Clip Pigtail Cable Assembly, Black, Red Cable, Double Ended, Crown Clip Receptacle, Thermoplastic, Black End A, 6 AWG, -20 – 80 °C [-4 – 176 °F]

[View on TE.com >](#)

Cable Assemblies > Copper Cable Assemblies > Power Cable Assemblies



Cable Assembly Configuration: **Double Ended**

Cable Color: **Black, Red**

Operating Temperature Range: **-20 – 80 °C [-4 – 176 °F]**

Cable Assembly Type: **Crown Clip Pigtail**

Connector Type (End B): **Crown Clip Receptacle**

Features

Product Type Features

Cable Assembly Category	Power
Cable Assembly Type	Crown Clip Pigtail
Connector Type (End B)	Crown Clip Receptacle

Body Features

Cable Color	Black, Red
Connector Color (End A)	Black

Housing Features

Housing Material	Thermoplastic
------------------	---------------

Dimensions

Wire Size	6 AWG
-----------	-------

Usage Conditions

Operating Temperature Range	-20 – 80 °C[-4 – 176 °F]
-----------------------------	--------------------------

Other

Cable Assembly Configuration	Double Ended
------------------------------	--------------



Product Compliance

[For compliance documentation, visit the product page on TE.com>](#)

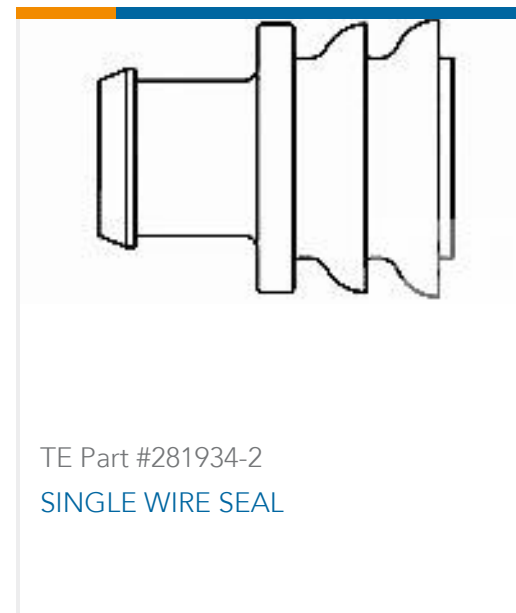
EU RoHS Directive 2011/65/EU	Compliant
EU ELV Directive 2000/53/EC	Compliant
China RoHS 2 Directive MIIT Order No 32, 2016	No Restricted Materials Above Threshold
EU REACH Regulation (EC) No. 1907/2006	Current ECHA Candidate List: JUNE 2023 (235) Candidate List Declared Against: JUNE 2022 (224) Does not contain REACH SVHC
Halogen Content	Low Halogen - Br, Cl, F, I < 900 ppm per homogenous material. Also BFR/CFR/PVC Free
Solder Process Capability	Not reviewed for solder process capability

Product Compliance Disclaimer

This information is provided based on reasonable inquiry of our suppliers and represents our current actual knowledge based on the information they provided. This information is subject to change. The part numbers that TE has identified as EU RoHS compliant have a maximum concentration of 0.1% by weight in homogenous materials for lead, hexavalent chromium, mercury, PBB, PBDE, DBP, BBP, DEHP, DIBP, and 0.01% for cadmium, or qualify for an exemption to these limits as defined in the Annexes of Directive 2011/65/EU (RoHS2). Finished electrical and electronic equipment products will be CE marked as required by Directive 2011/65/EU. Components may not be CE marked. Additionally, the part numbers that TE has identified as EU ELV compliant have a maximum concentration of 0.1% by weight in homogenous materials for lead, hexavalent chromium, and mercury, and 0.01% for cadmium, or qualify for an exemption to these limits as defined in the Annexes of Directive 2000/53/EC (ELV). Regarding the REACH Regulation, the information TE provides on SVHC in articles for this part number is based on the latest European Chemicals Agency (ECHA) 'Guidance on requirements for substances in articles' posted at this URL: <https://echa.europa.eu/guidance-documents/guidance-on-reach>

Customers Also Bought

 <p>TE Part #206070-8 CABLE CLAMP KIT #17</p>	 <p>TE Part #DT04-2P REC, 2P, GRY, N</p>	 <p>TE Part #DT06-2S PLG, 2P, GRY, N</p>	 <p>TE Part #W2S Wedgelocks: DEUTSCH DT</p>
--	---	---	--



Documents

Product Drawings

[CA, SIDE EXIT CCJ CABLE ASSEMBLY](#)

English

CAD Files

[3D PDF](#)

3D

Customer View Model

[ENG_CVM_CVM_2337275-1_1.2d_dxf.zip](#)

English

Customer View Model

[ENG_CVM_CVM_2337275-1_1.3d_igs.zip](#)

English

Customer View Model

[ENG_CVM_CVM_2337275-1_1.3d_stp.zip](#)

English

By downloading the CAD file I accept and agree to the [Terms and Conditions](#) of use.

Product Specifications

[Product Specification](#)

English

[Product Specification](#)

English

[Product Specification](#)

English