

2334570-4 ✓ ACTIVE

**MULTI-BEAM**

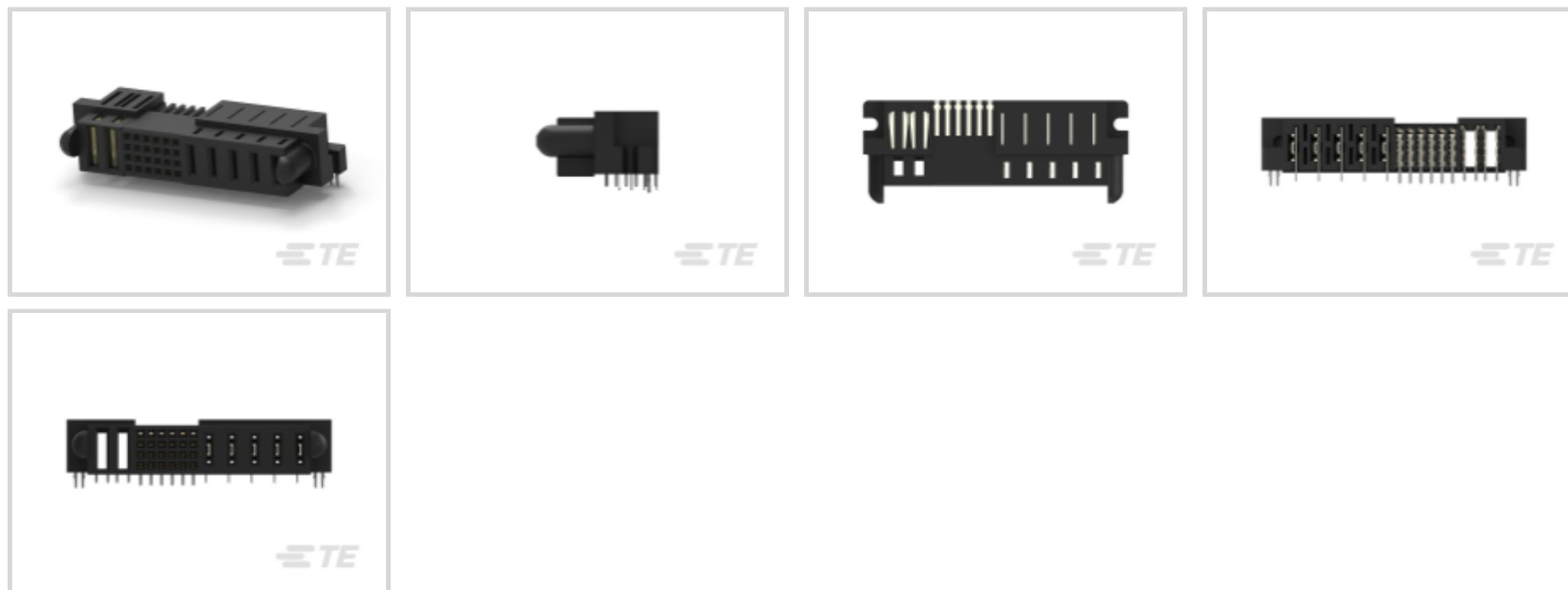
TE Internal #: 2334570-4

Rectangular Power Connectors, Connector Assembly, Receptacle, Board-to-Board, Printed Circuit Board, UL 94V-0, -40 – 125 °C, 60 VAC, Horizontal

[View on TE.com >](#)



Connectors > Power Connectors > Rectangular Power > Rectangular Power Connectors



Rectangular Power Connector Type: **Connector Assembly**

Connector & Housing Type: **Receptacle**

Connector System: **Board-to-Board**

Connector & Contact Terminates To: **Printed Circuit Board**

UL Flammability Rating: **UL 94V-0**

**Features**

**Product Type Features**

Rectangular Power Connector Type	Connector Assembly
Connector & Housing Type	Receptacle
Connector System	Board-to-Board
Connector & Contact Terminates To	Printed Circuit Board

**Configuration Features**

PCB Mount Orientation	Horizontal
Number of Power Positions	7
Number of Signal Positions	24
Number of Rows	6

**Electrical Characteristics**

Operating Voltage	60 VAC
-------------------	--------

**Contact Features**

Contact Mating Area Plating Material	Gold
Contact Current Rating (Max)	100 A



Contact Retention Within Housing	With
Contact Type	Receptacle
PCB Contact Termination Area Plating Material	Tin

### Housing Features

Housing Color	Black
Housing Material	LCP GF30 (Liquid Crystal Polymer)

### Dimensions

	.1 in
--	-------

### Usage Conditions

Operating Temperature Range	-40 – 125 °C
-----------------------------	--------------

### Industry Standards

UL Flammability Rating	UL 94V-0
------------------------	----------

### Packaging Features

Packaging Method	Box & Tray
------------------	------------

## Product Compliance

[For compliance documentation, visit the product page on TE.com>](#)

EU RoHS Directive 2011/65/EU	Compliant
EU ELV Directive 2000/53/EC	Compliant
China RoHS 2 Directive MIIT Order No 32, 2016	No Restricted Materials Above Threshold
EU REACH Regulation (EC) No. 1907/2006	Current ECHA Candidate List: JUNE 2023 (235) Candidate List Declared Against: JUNE 2023 (235) Does not contain REACH SVHC
Halogen Content	Low Halogen - Br, Cl, F, I < 900 ppm per homogenous material. Also BFR/CFR/PVC Free
Solder Process Capability	Wave solder capable to 265°C

#### Product Compliance Disclaimer

This information is provided based on reasonable inquiry of our suppliers and represents our current actual knowledge based on the information they provided. This information is subject to change. The part numbers that TE has identified as EU RoHS compliant have a maximum concentration of 0.1% by weight in homogenous materials for lead, hexavalent chromium, mercury, PBB, PBDE, DBP, BBP, DEHP, DIBP, and 0.01% for cadmium, or qualify for an exemption to these limits as defined in the Annexes of Directive 2011/65/EU (RoHS2). Finished electrical and electronic equipment products will be CE marked as required by Directive 2011/65/EU. Components may not be CE marked. Additionally, the part numbers that TE has identified as EU ELV compliant have a maximum concentration of 0.1% by weight in homogenous

materials for lead, hexavalent chromium, and mercury, and 0.01% for cadmium, or qualify for an exemption to these limits as defined in the Annexes of Directive 2000/53/EC (ELV). Regarding the REACH Regulation, the information TE provides on SVHC in articles for this part number is based on the latest European Chemicals Agency (ECHA) 'Guidance on requirements for substances in articles' posted at this URL: <https://echa.europa.eu/guidance-documents/guidance-on-reach>

## Compatible Parts

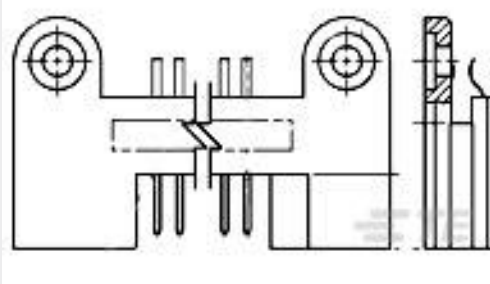


TE Part # 2334530-4  
MBPLUS,R/A,PLUG,SOLDER,5LP + 24S + 2P

## Customers Also Bought




TE Part #1-5767007-2  
MICT,260PLUG,190,ASSY,.025,REC



TE Part #1-530785-5  
BOX PIN HDR ASSY 20 PS 075 CL



TE Part #2102453-1  
CeeLok FAS-T, Recpt Assy PCB, Sq, Ni



TE Part #2102453-3  
CeeLok FAS-T, Recpt Assy PCB, Sq, Ni, A



TE Part #2334530-4  
MBPLUS,R/A,PLUG,SOLDER,5LP + 24S + 2P



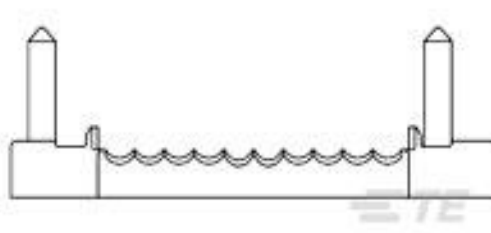
**CRIMPER** REPRESENTATION ONLY  
TE Part #5-1633860-1  
CRIMPER, WIRE F



TE Part #8682963001  
55A0112-24-2



TE Part #6450560-3  
MBXL R/A RCPT 1P+16S+1P



TE Part #749108-3  
40 50SR CBL CONN TERM COVER



TE Part #7-1437188-0  
FST-23A-12V6

## Documents

### Product Drawings

MBPLUS,R/A,REC.,SOLDER,5LP + 24S + 2P



English

---

**CAD Files**

Customer View Model

[ENG\\_CVM\\_CVM\\_2334570-4\\_A.3d\\_igs.zip](#)

English

Customer View Model

[ENG\\_CVM\\_CVM\\_2334570-4\\_A.3d\\_stp.zip](#)

English

**3D PDF**

3D

Customer View Model

[ENG\\_CVM\\_CVM\\_2334570-4\\_A.2d\\_dxf.zip](#)

English

By downloading the CAD file I accept and agree to the [Terms and Conditions](#) of use.

---

**Product Specifications**

[Application Specification](#)

English