

2334530-4 ✓ ACTIVE

MULTI-BEAM

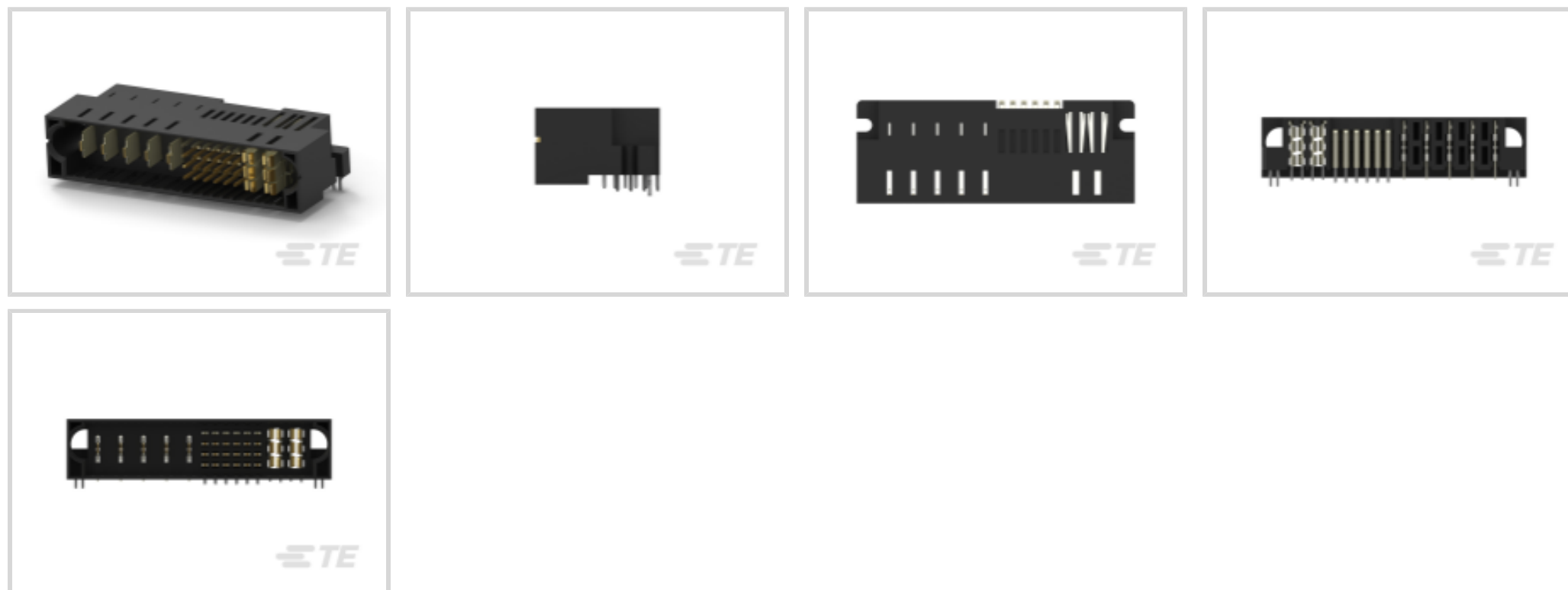
TE Internal #: 2334530-4

Rectangular Power Connectors, Header, Plug, Board-to-Board,
Printed Circuit Board, UL 94V-0, -40 – 125 °C, 60 VAC, 60 VDC,
Horizontal

[View on TE.com >](#)



Connectors > Power Connectors > Rectangular Power > Rectangular Power Connectors



Rectangular Power Connector Type: **Header**

Connector & Housing Type: **Plug**

Connector System: **Board-to-Board**

Connector & Contact Terminates To: **Printed Circuit Board**

UL Flammability Rating: **UL 94V-0**

Features

Product Type Features

| | |
|-----------------------------------|-----------------------|
| Header Type | Fully Shrouded |
| Rectangular Power Connector Type | Header |
| Connector & Housing Type | Plug |
| Connector System | Board-to-Board |
| Connector & Contact Terminates To | Printed Circuit Board |

Configuration Features

| | |
|----------------------------|------------|
| PCB Mount Orientation | Horizontal |
| Number of Power Positions | 7 |
| Number of Signal Positions | 24 |
| Number of Rows | 6 |

Electrical Characteristics

| | |
|-------------------|--------|
| Operating Voltage | 60 VDC |
|-------------------|--------|

Contact Features

| | |
|--------------------------------------|------|
| Contact Mating Area Plating Material | Gold |
|--------------------------------------|------|



| | |
|---|------------|
| Contact Current Rating (Max) | 100 A |
| Contact Retention Within Housing | With |
| Contact Type | Blade, Pin |
| PCB Contact Termination Area Plating Material | Tin |

Housing Features

| | |
|------------------|-----------------------------------|
| Housing Color | Black |
| Housing Material | LCP GF30 (Liquid Crystal Polymer) |

Dimensions

| | |
|--|-------|
| | .1 in |
|--|-------|

Usage Conditions

| | |
|-----------------------------|--------------|
| Operating Temperature Range | -40 – 125 °C |
|-----------------------------|--------------|

Industry Standards

| | |
|------------------------|----------|
| UL Flammability Rating | UL 94V-0 |
|------------------------|----------|

Packaging Features

| | |
|------------------|------------|
| Packaging Method | Box & Tray |
|------------------|------------|

Product Compliance

[For compliance documentation, visit the product page on TE.com>](#)

| | |
|---|---|
| EU RoHS Directive 2011/65/EU | Compliant |
| EU ELV Directive 2000/53/EC | Compliant |
| China RoHS 2 Directive MIIT Order No 32, 2016 | No Restricted Materials Above Threshold |
| EU REACH Regulation (EC) No. 1907/2006 | Current ECHA Candidate List: JUNE 2023 (235) Candidate List Declared Against: JUNE 2023 (235) Does not contain REACH SVHC |
| Halogen Content | Low Halogen - Br, Cl, F, I < 900 ppm per homogenous material. Also BFR/CFR/PVC Free |
| Solder Process Capability | Wave solder capable to 265°C |

Product Compliance Disclaimer

This information is provided based on reasonable inquiry of our suppliers and represents our current actual knowledge based on the information they provided. This information is subject to change. The part numbers that TE has identified as EU RoHS compliant have a maximum concentration of 0.1% by weight in homogenous materials for lead, hexavalent chromium, mercury, PBB, PBDE, DBP, BBP, DEHP, DIBP, and 0.01% for cadmium, or qualify for an exemption to these limits as defined in the Annexes of Directive 2011/65/EU (RoHS2). Finished electrical and electronic equipment products

will be CE marked as required by Directive 2011/65/EU. Components may not be CE marked. Additionally, the part numbers that TE has identified as EU ELV compliant have a maximum concentration of 0.1% by weight in homogenous materials for lead, hexavalent chromium, and mercury, and 0.01% for cadmium, or qualify for an exemption to these limits as defined in the Annexes of Directive 2000/53/EC (ELV). Regarding the REACH Regulation, the information TE provides on SVHC in articles for this part number is based on the latest European Chemicals Agency (ECHA) 'Guidance on requirements for substances in articles' posted at this URL: <https://echa.europa.eu/guidance-documents/guidance-on-reach>

Compatible Parts

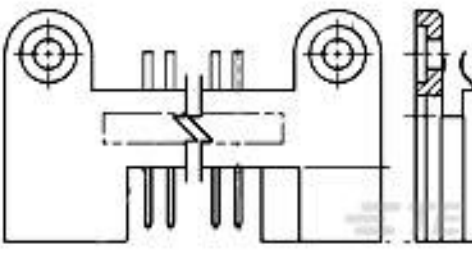


TE Part # 2334570-4
MBPLUS,R/A,REC.,SOLDER,SLP + 24S + 2P


Customers Also Bought




TE Part #1-5767007-2
MICT,260PLUG,190,ASSY, .025,REC



TE Part #1-530785-5
BOX PIN HDR ASSY 20 PS 075 CL



TE Part #2102453-1
CeeLok FAS-T, Recpt Assy PCB, Sq, Ni



TE Part #2102453-3
CeeLok FAS-T, Recpt Assy PCB, Sq, Ni, A



TE Part #2334570-4
MBPLUS,R/A,REC.,SOLDER,SLP + 24S + 2P



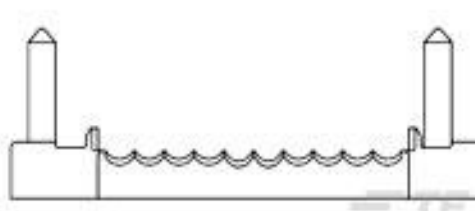
CRIMPER REPRESENTATION ONLY
TE Part #5-1633860-1
CRIMPER, WIRE F



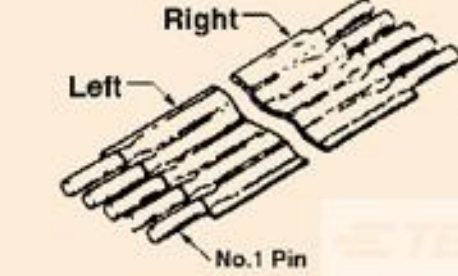
TE Part #8682963001
55A0112-24-2



TE Part #6450560-3
MBXL R/A RCPT 1P+16S+1P



TE Part #749108-3
40 50SR CBL CONN TERM COVER



Right
Left
No.1 Pin
TE Part #7-1437188-0
FST-23A-12V6

Documents

Product Drawings



MBPLUS,R/A,PLUG,SOLDER,5LP + 24S + 2P

English

CAD Files

3D PDF

3D

Customer View Model

[ENG_CVM_CVM_2334530-4_A.2d_dxf.zip](#)

English

Customer View Model

[ENG_CVM_CVM_2334530-4_A.3d_igs.zip](#)

English

Customer View Model

[ENG_CVM_CVM_2334530-4_A.3d_stp.zip](#)

English

By downloading the CAD file I accept and agree to the [Terms and Conditions](#) of use.

Product Specifications

Application Specification

English