



Sliver for SFF-TA-1002

TE Internal #: 2332208-2

Internal I/O Connectors, Sliver for SFF-TA-1002, Cable Plug Assembly, Right Angle, Cable-to-Board, Gen-Z, 56 Position, Sliver for SFF-TA-1002

[View on TE.com >](#)

Connectors > PCB Connectors > Internal I/O Connectors



Internal I/O Connector Type: **Sliver for SFF-TA-1002**

Connector Mates With: **Cable Plug Assembly**

PCB Mount Orientation: **Right Angle**

Connector System: **Cable-to-Board**

Industry Standard: **Gen-Z**

Features

Product Type Features

Internal I/O Connector Type	Sliver for SFF-TA-1002
Connector Mates With	Cable Plug Assembly
Connector System	Cable-to-Board
Connector & Contact Terminates To	Printed Circuit Board

Configuration Features

Number of Rows	2
PCB Mount Orientation	Right Angle
Number of Positions	56

Contact Features

Contact Mating Area Plating Material	Gold
Contact Underplating Material	Nickel
PCB Contact Termination Area Plating Material	Tin
Contact Base Material	Copper Alloy
Contact Current Rating (Max)	1.1 A



Contact Mating Area Plating Material Thickness	.381 μm [15 μin]
--	---

Termination Features

Termination Method to Printed Circuit Board	Surface Mount
---	---------------

Mechanical Attachment

Connector Mounting Type	Board Mount
-------------------------	-------------

Housing Features

Centerline (Pitch)	.6 mm[.023 in]
--------------------	----------------

Usage Conditions

Operating Temperature Range	-55 – 85 $^{\circ}\text{C}$ [-67 – 185 $^{\circ}\text{F}$]
-----------------------------	---

Operation/Application

Circuit Application	Signal
---------------------	--------

Industry Standards

Industry Standard	Gen-Z
-------------------	-------

Product Compliance

[For compliance documentation, visit the product page on TE.com>](#)

EU RoHS Directive 2011/65/EU	Compliant
------------------------------	-----------

EU ELV Directive 2000/53/EC	Compliant
-----------------------------	-----------

China RoHS 2 Directive MIIT Order No 32, 2016	No Restricted Materials Above Threshold
---	---

EU REACH Regulation (EC) No. 1907/2006	Current ECHA Candidate List: JUNE 2023 (235) Candidate List Declared Against: JUNE 2023 (235) Does not contain REACH SVHC
--	---

Halogen Content	Low Halogen - Br, Cl, F, I < 900 ppm per homogenous material. Also BFR/CFR/PVC Free
-----------------	---

Solder Process Capability	Not reviewed for solder process capability
---------------------------	--

Product Compliance Disclaimer

This information is provided based on reasonable inquiry of our suppliers and represents our current actual knowledge based on the information they provided. This information is subject to change. The part numbers that TE has identified as EU RoHS compliant have a maximum concentration of 0.1% by weight in homogenous materials for lead, hexavalent chromium, mercury, PBB, PBDE, DBP, BBP, DEHP, DIBP, and 0.01% for cadmium, or qualify for an exemption to these limits as defined in the Annexes of Directive 2011/65/EU (RoHS2). Finished electrical and electronic equipment products will be CE marked as required by Directive 2011/65/EU. Components may not be CE marked. Additionally, the part numbers that TE has identified as EU ELV compliant have a maximum concentration of 0.1% by weight in homogenous materials for lead, hexavalent chromium, and mercury, and 0.01% for cadmium, or qualify for an exemption to these limits as defined in the Annexes of Directive 2000/53/EC (ELV). Regarding the REACH Regulation, the information TE provides

on SVHC in articles for this part number is based on the latest European Chemicals Agency (ECHA) 'Guidance on requirements for substances in articles' posted at this URL: <https://echa.europa.eu/guidance-documents/guidance-on-reach>

Compatible Parts



TE Part # 2327677-1
RECEPT ASSY, 140 POS, VERT, SLIVER 2.0



TE Part # 2328461-1
280 POS., CONNECTOR ASSEMBLY, SLIVER 2.0



TE Part # 2333799-1
RCPT ASSY, VERT, 168 POS, SLIVER 2.0



TE Part # 2364072-3
STRADA WHISPER CBL ASSY, 4X4, REC-SLIVER



TE Part # 2364073-1
STRADA WHSPR CBL ASSY, 4X4, REC-SLVR 1C



TE Part # 2364073-2
STRADA WHSPR CBL ASSY, 4X4, REC-SLVR 1C

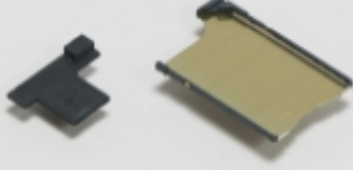


TE Part # 2364073-3
STRADA WHSPR CBL ASSY, 4X4, REC-SLVR 1C

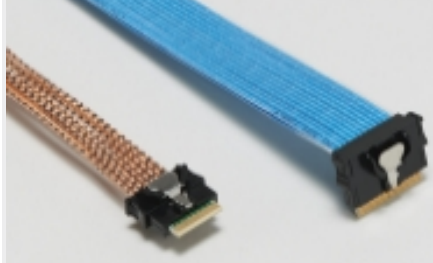


TE Part # 2373744-1
SLIVER 2.0 1C LEAD FRAME TO SLIVER 1C

Also in the Series | Sliver for SFF-TA-1002



Card Guide Hardware(1)

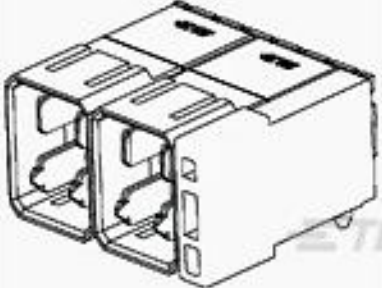


Internal I/O Cable Assemblies(109)



Internal I/O Connectors(135)

Customers Also Bought



TE Part #2180851-4
IMP,PWR,3PR,HDR,R-HLD,1X,797-4,N /A



TE Part #2007791-2
IMP100S,H,V3P10C,UG,REW39,4.9



TE Part #2-1879808-4
RP 1J 118R 0.1% 15PPM 1K RL



TE Part #2-1879808-6
RP 1J 28K7 0.1% 15PPM 1K RL



TE Part #1-2324171-0
CAGE ASSEMBLY, QSFP-DD 1X1,
SPRING

TE Part #3-1551920-2
zQSFP+ connector assembly



TE Part #2132498-1
IMP100S,R,RA3P6C,LG,39

TE Part #2187643-2
SW PIR HDR BP, 100OHM, 12X8 OE,
Tray

TE Part #2338495-6
CAGE ASSEMBLY, 1X4, OSFP

Documents

Product Drawings

[RECEPT ASSY, RA, 56 POS, SLIVER 2.0](#)

English

CAD Files

[3D PDF](#)

3D

Customer View Model

[ENG_CVM_CVM_2332208-2_2.2d_dxf.zip](#)

English

Customer View Model

[ENG_CVM_CVM_2332208-2_2.3d_igs.zip](#)

English

Customer View Model

[ENG_CVM_CVM_2332208-2_2.3d_stp.zip](#)

English

By downloading the CAD file I accept and agree to the [Terms and Conditions](#) of use.

Product Specifications

[Application Specification](#)

English