



Alcoswitch | ALCOSWITCH JJ

TE Internal #: 2331403-1

Tactile Switches, Plunger Actuator Style, Copper Alloy, Silver, Low Profile, 100 mA, 12 VDC, ALCOSWITCH JJ

[View on TE.com >](#)

Relays, Contactors & Switches > Switches > Tactile Switches



Actuator Style: **Plunger**

Contact Base Material: **Copper Alloy**

Switch Contact Plating Material: **Silver**

Low Profile: **Yes**

Tactile Switch Contact Current Rating: **100 mA**

Features

Product Type Features

Product Type	Switch
Leg Style	Gull Wing
Actuator Style	Plunger

Configuration Features

ESD Grounding Terminal	Without
Ganged	No
Tactile	No
Configuration (Pole-Throw)	Single Pole - Single Throw
Number of Actuators	Single

Electrical Characteristics

Tactile Switch Voltage Rating	12 VDC
-------------------------------	--------

Body Features

Actuator Material	Thermoplastic
Actuator Color	Black



Contact Features

Contact Base Material	Copper Alloy
Switch Contact Plating Material	Silver
Tactile Switch Contact Current Rating	100 mA

Mechanical Attachment

Tactile Switch Mounting Type	Surface Mount
Tactile Switch Mounting Angle	Right Angle

Housing Features

Low Profile	Yes
Process Sealed	No

Product Compliance

[For compliance documentation, visit the product page on TE.com>](#)

EU RoHS Directive 2011/65/EU	Compliant
EU ELV Directive 2000/53/EC	Compliant
China RoHS 2 Directive MIIT Order No 32, 2016	No Restricted Materials Above Threshold
EU REACH Regulation (EC) No. 1907/2006	Current ECHA Candidate List: JUNE 2023 (235) Candidate List Declared Against: JUL 2021 (219) Does not contain REACH SVHC
Halogen Content	Not Yet Reviewed for halogen content
Solder Process Capability	Not reviewed for solder process capability

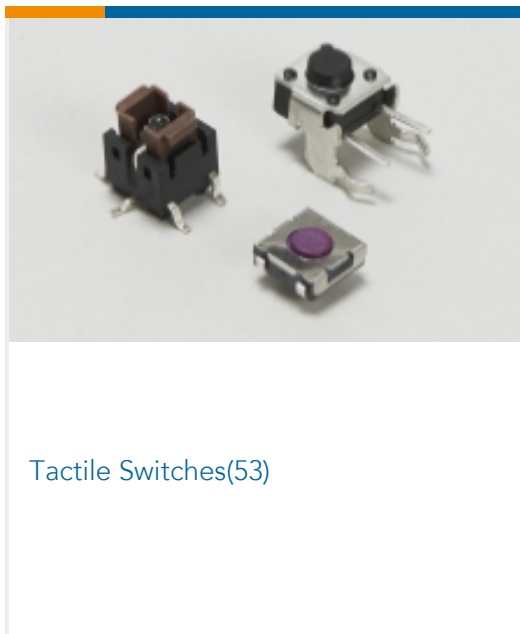
Product Compliance Disclaimer

This information is provided based on reasonable inquiry of our suppliers and represents our current actual knowledge based on the information they provided. This information is subject to change. The part numbers that TE has identified as EU RoHS compliant have a maximum concentration of 0.1% by weight in homogenous materials for lead, hexavalent chromium, mercury, PBB, PBDE, DBP, BBP, DEHP, DIBP, and 0.01% for cadmium, or qualify for an exemption to these limits as defined in the Annexes of Directive 2011/65/EU (RoHS2). Finished electrical and electronic equipment products will be CE marked as required by Directive 2011/65/EU. Components may not be CE marked. Additionally, the part numbers that TE has identified as EU ELV compliant have a maximum concentration of 0.1% by weight in homogenous materials for lead, hexavalent chromium, and mercury, and 0.01% for cadmium, or qualify for an exemption to these limits as defined in the Annexes of Directive 2000/53/EC (ELV). Regarding the REACH Regulation, the information TE provides on SVHC in articles for this part number is based on the latest European Chemicals Agency (ECHA) 'Guidance on requirements for substances in articles' posted at this URL: <https://echa.europa.eu/guidance-documents/guidance-on-reach>

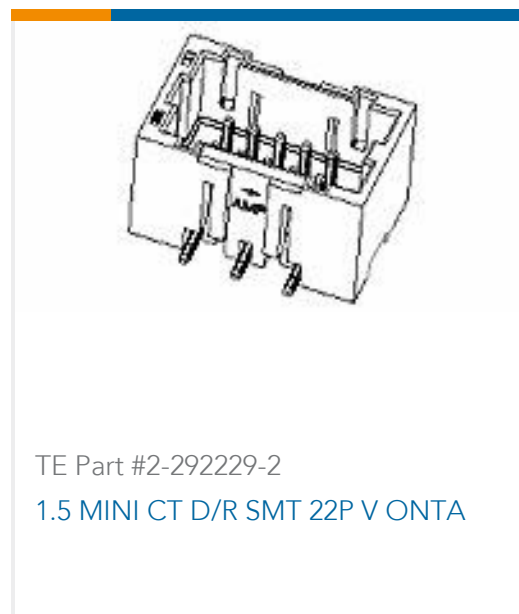
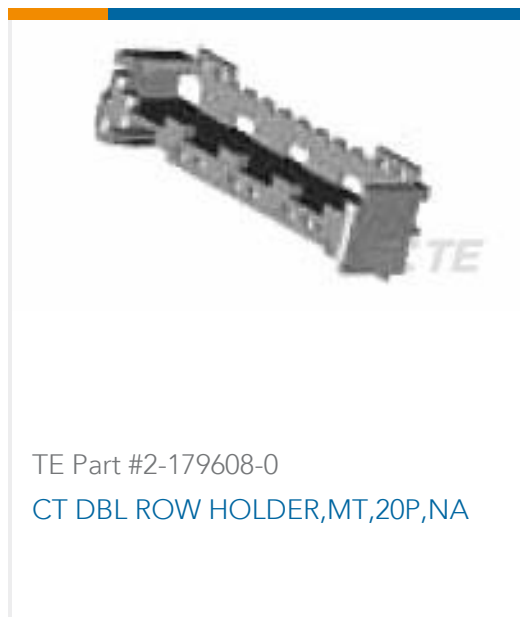
Compatible Parts



Also in the Series | **ALCOSWITCH JJ**



Customers Also Bought





Documents

Product Drawings

[DET SW5.7X4.0X2.0 JB HORZ. NCH AG RL](#)

English

CAD Files

[3D PDF](#)

3D

Customer View Model

[ENG_CVM_CVM_2331403-1_A.2d_dxf.zip](#)

English

Customer View Model

[ENG_CVM_CVM_2331403-1_A.3d_igs.zip](#)

English

Customer View Model

[ENG_CVM_CVM_2331403-1_A.3d_stp.zip](#)

English

By downloading the CAD file I accept and agree to the [Terms and Conditions](#) of use.

Datasheets & Catalog Pages

[JJ Series Detector Switches Data Sheet](#)

English