



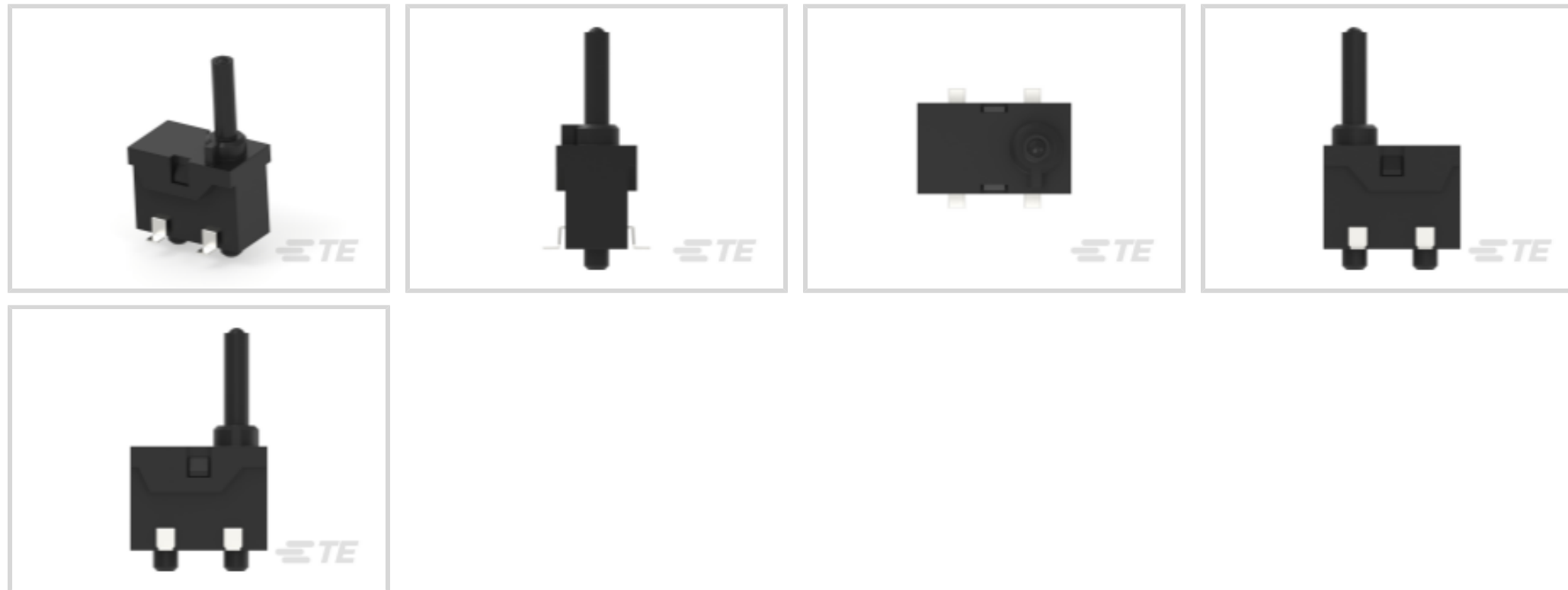
Alcoswitch | ALCOSWITCH JJ

TE Internal #: 2331398-1

Tactile Switches, Extended, Top Actuator Style, Off (On), Stainless Steel, Silver, 5 mA, ALCOSWITCH JJ

[View on TE.com >](#)

Relays, Contactors & Switches > Switches > Tactile Switches



Actuator Style: **Extended, Top**

Operating Function: **Off (On)**

Contact Base Material: **Stainless Steel**

Switch Contact Plating Material: **Silver**

Tactile Switch Contact Current Rating: **5 mA**

Features

Product Type Features

Product Type	Switch
Leg Style	Gull Wing
Actuator Style	Extended, Top

Configuration Features

ESD Grounding Terminal	Without
Ganged	No
Tactile	No
Operating Function	Off (On)
Configuration (Pole-Throw)	Single Pole - Single Throw
Number of Actuators	Single

Body Features

Actuator Material	Thermoplastic
-------------------	---------------

Contact Features

Contact Base Material	Stainless Steel
-----------------------	-----------------



Switch Contact Plating Material	Silver
Tactile Switch Contact Current Rating	5 mA

Mechanical Attachment

Tactile Switch Mounting Type	Surface Mount
Tactile Switch Mounting Angle	Vertical

Housing Features

Process Sealed	No
----------------	----

Product Compliance

[For compliance documentation, visit the product page on TE.com>](#)

EU RoHS Directive 2011/65/EU	Compliant
EU ELV Directive 2000/53/EC	Compliant
China RoHS 2 Directive MIIT Order No 32, 2016	No Restricted Materials Above Threshold
EU REACH Regulation (EC) No. 1907/2006	Current ECHA Candidate List: JUNE 2023 (235) Candidate List Declared Against: JUNE 2023 (235) Does not contain REACH SVHC
Halogen Content	Not Low Halogen - contains Br or Cl > 900 ppm.
Solder Process Capability	Not reviewed for solder process capability

Product Compliance Disclaimer

This information is provided based on reasonable inquiry of our suppliers and represents our current actual knowledge based on the information they provided. This information is subject to change. The part numbers that TE has identified as EU RoHS compliant have a maximum concentration of 0.1% by weight in homogenous materials for lead, hexavalent chromium, mercury, PBB, PBDE, DBP, BBP, DEHP, DIBP, and 0.01% for cadmium, or qualify for an exemption to these limits as defined in the Annexes of Directive 2011/65/EU (RoHS2). Finished electrical and electronic equipment products will be CE marked as required by Directive 2011/65/EU. Components may not be CE marked. Additionally, the part numbers that TE has identified as EU ELV compliant have a maximum concentration of 0.1% by weight in homogenous materials for lead, hexavalent chromium, and mercury, and 0.01% for cadmium, or qualify for an exemption to these limits as defined in the Annexes of Directive 2000/53/EC (ELV). Regarding the REACH Regulation, the information TE provides on SVHC in articles for this part number is based on the latest European Chemicals Agency (ECHA) 'Guidance on requirements for substances in articles' posted at this URL: <https://echa.europa.eu/guidance-documents/guidance-on-reach>

Compatible Parts




TE Part # 2331374-1
DET SW3.50X2.8X1.5 JB VERT. NO AG RL



TE Part # 2331373-1
DET SW3.50X2.8X1.5 JB VERT. NO AG RL



TE Part # 2331379-1
DET SW3.5X2.98X1.95 GW VERT. NO AG RL



TE Part # 2331378-1
DET SW3.5X2.98X1.95 GW VERT. NO AG RL



TE Part # 2331386-1
DET SW3.5X3.3X1.0 JB HORZ.(L) NC AG RL



TE Part # 2331384-1
DET SW3.5X3.3X1.0 JB HORZ.(L) NC AG RL



TE Part # 2331388-1
DET SW3.4X3.3X1.0 JB HORZ.(L) NO AG RL



TE Part # 2331387-1
DET SW3.4X3.3X1.0 JB HORZ.(L) NO AG RL



TE Part # 2331414-1
DET SW4.2X3.6X1.2 GW VERT.(DW) NO AGAU RL



TE Part # 2331412-1
DET SW4.2X3.6X1.2 GW VERT.(DW) NO AGAU RL



TE Part # 2331415-1
DET SW4.2X3.6X1.2 JB VERT.(DW) NO AGAU RL



TE Part # 2331413-1
DET SW4.2X3.6X1.2 JB VERT.(DW) NO AGAU RL



TE Part # 2331389-1
DET SW4.2X3.6X1.2 JB VERT.(DW) NC AG RL



TE Part # 2331410-1
DET SW4.2X3.6X1.2 GW VERT.(UP) NO AG RL



TE Part # 2331408-1
DET SW4.2X3.6X1.2 GW VERT.(UP) NO AG RL



TE Part # 2331411-1
DET SW4.2X3.6X1.2 JB VERT.(UP) NO AG RL



TE Part # 2331409-1
DET SW4.2X3.6X1.2 JB VERT.(UP) NO AG RL



TE Part # 2331395-1
DET SW4.7X3.5X2.25 GW VERT. NOH AG RL



TE Part # 2331394-1
DET SW4.7X3.5X2.25 GW VERT. NOH AG RL



TE Part # 2331417-1
DET SW4.7X3.5X2.2 GW VERT. NO AG RL

Also in the Series | [ALCOSWITCH JJ](#)



Tactile Switches(53)

Customers Also Bought



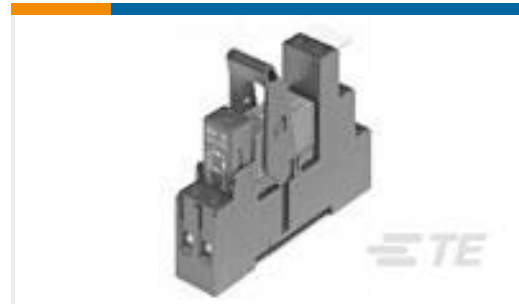
TE Part #3-640707-1
SL 156 RECEPTACLE LP



TE Part #640250-2
02P SL156 HSG W/LCK RAMP NATL



TE Part #1462041-3
IMB06CGR=IM RELAY 140mW 12V HDV



TE Part #5-1415528-1
RT3S4S15



TE Part #1318912-1
EP CONN LP REC



TE Part #1393219-6
PE014012



TE Part #1-1123722-4
3.96 EP PLUG HSG 4P(NATURAL)



TE Part #2842140-4
8P,2MM,BRK HDR,DRV,2.8,0.76AU, BOX



TE Part #2842150-4
8P,2MM,BRK HDR,DRRT,2.8,0.1AU,TB



TE Part #1-1462037-4
IM03GR=IM RELAY 140mW 5V

Documents

Product Drawings

DET SW6.5X3.9X6.0 GW VERT. NO AG TB

English

CAD Files

3D PDF

3D

Customer View Model

ENG_CVM_CVM_2331398-1_A.2d_dxf.zip



English

Customer View Model

[ENG_CVM_CVM_2331398-1_A.3d_igs.zip](#)

English

Customer View Model

[ENG_CVM_CVM_2331398-1_A.3d_stp.zip](#)

English

By downloading the CAD file I accept and agree to the [Terms and Conditions](#) of use.

Datasheets & Catalog Pages

[JJ Series Detector Switches Data Sheet](#)

English