



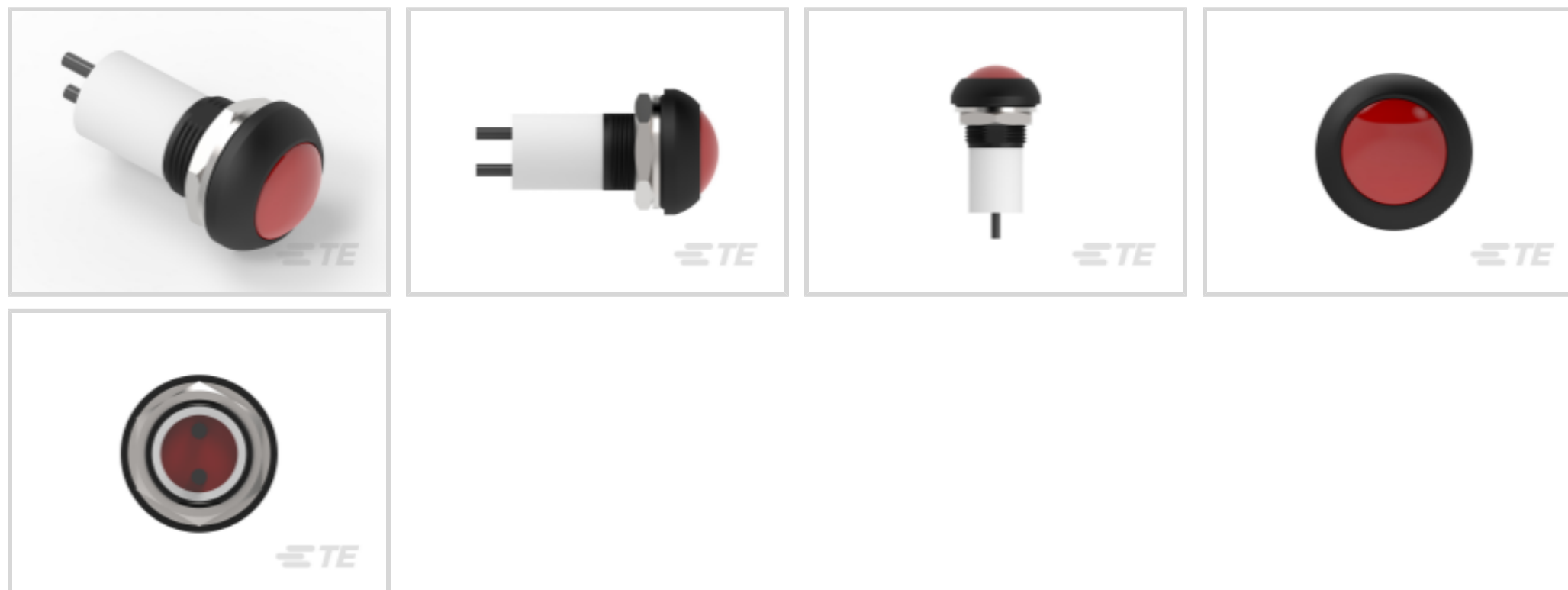
Alcoswitch | Alcoswitch PB6

TE Internal #: 2329361-2

Push Button Switches, Single Pole - Single Throw Configuration (Pole-Throw), Switch, Single Actuator, Flush Actuator Profile, Threaded, Alcoswitch PB6

[View on TE.com >](#)

Relays, Contactors & Switches > Switches > Push Button Switches



Configuration (Pole-Throw): **Single Pole - Single Throw**

Push Button Switch Product Type: **Switch**

Number of Actuators: **Single**

Actuator Profile: **Flush**

Bushing Style: **Threaded**

## Features

### Product Type Features

Switch Type	Pushbutton
Dust Proof	Yes
Push Button Switch Product Type	Switch
Illuminated	No
Actuator Style	Round

### Configuration Features

ESD Grounding Terminal	Without
Detent Style	Audible
Ganged	No
Configuration (Pole-Throw)	Single Pole - Single Throw
Number of Actuators	Single
Snap Action	Without
Support Bracket	Without
Tactile	No



Operating Function	Momentary
--------------------	-----------

### Electrical Characteristics

Push Button Switch Voltage Rating	50 VDC
-----------------------------------	--------

### Body Features

Case Material	Diallyl Phthalate (DAP)
---------------	-------------------------

Actuator Material	Polyamide
-------------------	-----------

Actuator Profile	Flush
------------------	-------

Bushing Style	Threaded
---------------	----------

Bushing Thread Size	M12 x .75
---------------------	-----------

Actuator Color	Red
----------------	-----

### Contact Features

Push Button Switch Contact Current Rating	.12 A
---	-------

Switch Contact Plating Material	Gold over Silver
---------------------------------	------------------

### Termination Features

Termination Type	Long Leads
------------------	------------

### Mechanical Attachment

Mounting Angle	Vertical
----------------	----------

Push Button Switch Mounting Type	Panel
----------------------------------	-------

### Housing Features

Process Sealed	Yes
----------------	-----

### Industry Standards

IP Rating	IP68
-----------	------

### Packaging Features

Packaging Method	Loose Piece
------------------	-------------

### Other

Comment	(On) indicates momentary position.
---------	------------------------------------

### Product Compliance

For compliance documentation, visit the product page on [TE.com](https://www.te.com)>

EU RoHS Directive 2011/65/EU	Compliant with Exemptions
------------------------------	---------------------------

EU ELV Directive 2000/53/EC	Compliant with Exemptions
-----------------------------	---------------------------



China RoHS 2 Directive MIIT Order No 32, 2016	Restricted Materials Above Threshold
EU REACH Regulation (EC) No. 1907/2006	Current ECHA Candidate List: JUNE 2023 (235) Candidate List Declared Against: JUNE 2023 (235) SVHC > Threshold: Pb (4% in Component Part) <b>Article Safe Usage Statements:</b> Do not eat, drink or smoke when using this product. Wash thoroughly after handling. Recycle if possible and dispose of the article by following all applicable governmental regulations relevant to your geographic location.
Halogen Content	Low Halogen - Br, Cl, F, I < 900 ppm per homogenous material. Also BFR/CFR/PVC Free
Solder Process Capability	Not reviewed for solder process capability

Product Compliance Disclaimer

This information is provided based on reasonable inquiry of our suppliers and represents our current actual knowledge based on the information they provided. This information is subject to change. The part numbers that TE has identified as EU RoHS compliant have a maximum concentration of 0.1% by weight in homogenous materials for lead, hexavalent chromium, mercury, PBB, PBDE, DBP, BBP, DEHP, DIBP, and 0.01% for cadmium, or qualify for an exemption to these limits as defined in the Annexes of Directive 2011/65/EU (RoHS2). Finished electrical and electronic equipment products will be CE marked as required by Directive 2011/65/EU. Components may not be CE marked. Additionally, the part numbers that TE has identified as EU ELV compliant have a maximum concentration of 0.1% by weight in homogenous materials for lead, hexavalent chromium, and mercury, and 0.01% for cadmium, or qualify for an exemption to these limits as defined in the Annexes of Directive 2000/53/EC (ELV). Regarding the REACH Regulation, the information TE provides on SVHC in articles for this part number is based on the latest European Chemicals Agency (ECHA) 'Guidance on requirements for substances in articles' posted at this URL: <https://echa.europa.eu/guidance-documents/guidance-on-reach>

### Compatible Parts

TE Part # 2329387-4  
PB OFF/ON FC BLK M1 TERM GRE LED IP68

TE Part # 2329383-3  
PB OFF/ON FC YLW M1 TERM. IP68

TE Part # 2329359-1  
PN OFF/ON HC BLK M1 TERM IP68 500MM LHS

TE Part # 2329359-2  
PN OFF/ON HC RED M1 TERM IP68 500MM LHS

TE Part # 2329361-3  
PB OFF/ON RC YLW M1 TERM IP68 500MM L

Also in the Series | **Alcoswitch PB6**



Push Button Switches(165)

## Customers Also Bought



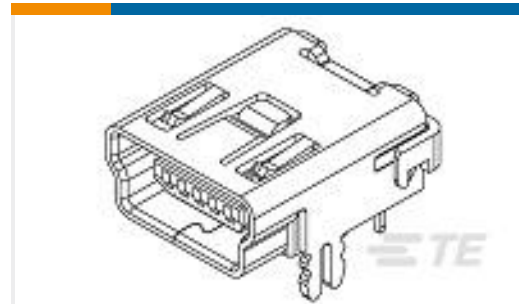
TE Part #3-6609128-5  
6VM4S=F8103



TE Part #5-1625971-7  
HSA25 560R 5%



TE Part #1903815-1  
INDUSTRIAL USB REC ASSY R/A  
2ROW



TE Part #2172034-1  
MINI USB B, RCPT, R/A, T/H, PBT, Tray



TE Part #1625890-5  
2W SM M/OX 5% 10K



TE Part #2329384-2  
PB OFF/ON FC RED M1 TERM IP68  
500MM L



TE Part #2329386-2  
PN OFF/ON FC RED M1 TERM IP68  
500MM LHS



TE Part #T4130412021-000  
M12,REAR MOUNT,MALE,B,2P,  
SOLDER WIRE



TE Part #2329384-3  
PB OFF/ON FC YLW M1 TERM IP68  
500MM L

## Documents

### Product Drawings

[PB OFF/ON RC RED M1 TERM IP68 500MM L](#)

English

### CAD Files

[3D PDF](#)

[3D](#)

### Customer View Model

[ENG\\_CVM\\_CVM\\_2329361-2\\_A.2d\\_dxf.zip](#)



English

**Customer View Model**

[ENG\\_CVM\\_CVM\\_2329361-2\\_A.3d\\_igs.zip](#)

English

**Customer View Model**

[ENG\\_CVM\\_CVM\\_2329361-2\\_A.3d\\_stp.zip](#)

English

By downloading the CAD file I accept and agree to the [Terms and Conditions](#) of use.

---

## Datasheets & Catalog Pages

[IP68 Sub Mini PB Data Sheet](#)

English