

2327042-1 ✓ ACTIVE

AMP | Superseal Pro

TE Internal #: 2327042-1

Housing for Male Terminals, Wire-to-Wire, 2 Position, .197 in [5 mm] Centerline, Sealable, Black, Wire & Cable, Signal, Superseal Pro

[View on TE.com >](#)



Connectors > Automotive Connectors > Automotive Housings



Connector System: **Wire-to-Wire**

Number of Positions: **2**

Connector & Housing Type: **Housing for Male Terminals**

Centerline (Pitch): **5 mm [.197 in]**

Sealable: **Yes**

Features

Product Type Features

Mixed & Hybrid Connector	No
Connector Shape	Rectangular
Connector System	Wire-to-Wire
Connector & Housing Type	Housing for Male Terminals
Sealable	Yes
Connector & Contact Terminates To	Wire & Cable
Primary Locking Feature	Clean Body

Configuration Features

Number of Positions	2
Number of Rows	1

Electrical Characteristics

Operating Voltage	12 VDC
Nominal Voltage Architecture	12 V

Body Features



Cable Exit Angle	180°
Primary Product Color	Black
Connector & Keying Code	A

Contact Features

Contact Size	1.2mm
Contact Current Rating (Max)	7.5 A, 14 A

Mechanical Attachment

Terminal Position Assurance	Yes
Mating Alignment Type	Keyed
Mating Alignment	With
Connector Mounting Type	Cable Mount (Free-Hanging)

Housing Features

Housing Material	PBT GF
Centerline (Pitch)	5 mm [.197 in]

Dimensions

Connector Height	17.02 mm [.67 in]
Product Width	17.15 mm [.675 in]
Product Length	46.38 mm [1.826 in]

Usage Conditions

Operating Temperature (Max)	125 °C [257 °F]
Operating Temperature Range	-40 – 125 °C [-40 – 257 °F]

Operation/Application

Circuit Application	Signal
---------------------	--------

Industry Standards

Degree of Protection	IP67, IP69K
Agency/Standard	SAE/USCAR-2
UL Flammability Rating	UL 94V-0

Packaging Features

Packaging Quantity	800
Packaging Method	Package

Other



Serviceable	Yes
Connector Position Assurance Capable	No

Product Compliance

[For compliance documentation, visit the product page on TE.com>](#)

EU RoHS Directive 2011/65/EU	Compliant
EU ELV Directive 2000/53/EC	Compliant
China RoHS 2 Directive MIIT Order No 32, 2016	No Restricted Materials Above Threshold
EU REACH Regulation (EC) No. 1907/2006	Current ECHA Candidate List: JUNE 2023 (235) Candidate List Declared Against: JUNE 2023 (235) Does not contain REACH SVHC
Halogen Content	Not Low Halogen - contains Br or Cl > 900 ppm.
Solder Process Capability	Not reviewed for solder process capability

Product Compliance Disclaimer

This information is provided based on reasonable inquiry of our suppliers and represents our current actual knowledge based on the information they provided. This information is subject to change. The part numbers that TE has identified as EU RoHS compliant have a maximum concentration of 0.1% by weight in homogenous materials for lead, hexavalent chromium, mercury, PBB, PBDE, DBP, BBP, DEHP, DIBP, and 0.01% for cadmium, or qualify for an exemption to these limits as defined in the Annexes of Directive 2011/65/EU (RoHS2). Finished electrical and electronic equipment products will be CE marked as required by Directive 2011/65/EU. Components may not be CE marked. Additionally, the part numbers that TE has identified as EU ELV compliant have a maximum concentration of 0.1% by weight in homogenous materials for lead, hexavalent chromium, and mercury, and 0.01% for cadmium, or qualify for an exemption to these limits as defined in the Annexes of Directive 2000/53/EC (ELV). Regarding the REACH Regulation, the information TE provides on SVHC in articles for this part number is based on the latest European Chemicals Agency (ECHA) 'Guidance on requirements for substances in articles' posted at this URL: <https://echa.europa.eu/guidance-documents/guidance-on-reach>

Compatible Parts

TE Part # CAT-D487-B128
DEUTSCH DT Backshells

TE Part # 963142-1
MQS SINGLE-WIRE SEAL FOR 4MM

TE Part # 963143-1
MQS BLINDSTOPFEN

TE Part # 963142-2
SWS, MQS, CVTY DIA, 4.0, GRY



TE Part # CAT-M4595-T273
MCON Receptacle and Tab



TE Part # 2177610-1
TAB1.2X0.6, TERMINAL, SWS, CB




TE Part # 2324808-1
2POS, MCON 1.2, REC HSG ASSY, SLD, COD A




TE Part # 2363714-1
REC CONN CVR ASSY, 2POS, DT, 180DEG


Also in the Series | Superseal Pro



Automotive Housings(87)



Connector Backshells(15)




Other Automotive Connector Accessories(1)

Customers Also Bought



TE Part #1746894-1
MT2 RD SEAL 2POSN PLUG HSG ASS



TE Part #1411169-3
2X4UNS INL GET CONN



TE Part #936289-2
6POS MQS REC COD E



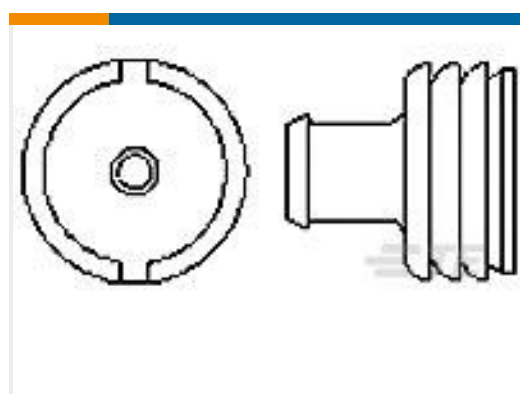
TE Part #1241608-6
MQS1,5 Ag rec CB unseal. 0,75-1,5



TE Part #1438299-7
GET MALE TERM, A, AG



TE Part #3-1579028-8
EXTRACTION TOOL



TE Part #967609-1
MPQ EINZELLEITDICHT



TE Part #2098866-1
PLUG ASSY, 96P GPECIII KEY H L



TE Part #2295763-1
MICRORELAY HOLDER ASSEMBLY



TE Part #2333679-2
MINI-FUSE RETAINER



Documents

Product Drawings

[2POS,MCON 1.2,TAB HSG ASSY,SLD,COD A](#)

English

[2POS,MCON 1.2,TAB HSG ASSY,SLD,COD A](#)

English

CAD Files

[3D PDF](#)

3D

Customer View Model

[ENG_CVM_CVM_2327042-1_C.2d_dxf.zip](#)

English

Customer View Model

[ENG_CVM_CVM_2327042-1_C.3d_igs.zip](#)

English

Customer View Model

[ENG_CVM_CVM_2327042-1_C.3d_stp.zip](#)

English

By downloading the CAD file I accept and agree to the [Terms and Conditions](#) of use.

Product Specifications

[Superseal Pro Connector series-Applications](#)

English

[Product Specification](#)

English

[Product Specification](#)

English