



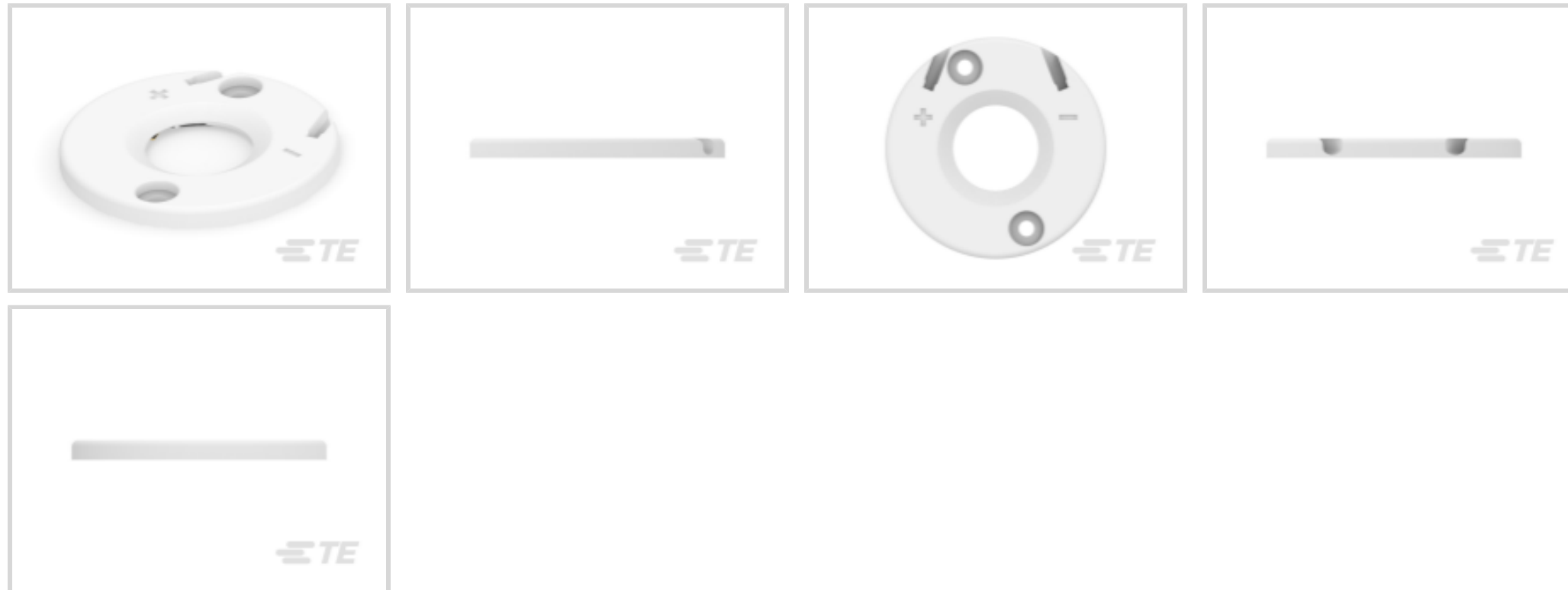
LUMAWISE | LUMAWISE LED Holders

TE Internal #: 2325807-2

LED Holders, Samsung LC016D / Citizen CLU710 / Citizen CLU711,
Not Programmable / No Driver on Board / Zhaga Inspired, 60 VDC,
LUMAWISE LED Holders

[View on TE.com >](#)

Connectors > Lighting Connectors > LED Holders > LED Holders, Z45



Compatible LED: **Bridgelux V13, Citizen CLU710, Citizen CLU711, Citizen CLU720, Cree CMT 1930, Everlight EAHP1919Wxx, Luminus CGM-14 GEN4, Luminus CHM-11-XH20, Luminus CHM-9-XH20/XH30, Luminus CLM-14 GEN 3, Luminus CLM-14 GEN4, Luminus CXM-11 GEN3, Luminus CXM-11 GEN4, Luminus CXM-14 Gen 3, Luminus CXM-14 GEN4, Osram s13 Series, Samsung LC016D, Samsung LC019D, Samsung LC030C, Samsung LC033D, Seoul SDWx2F1A, Seoul SDWx3F1C, Tridonic SLE-G6-LES 10, Tridonic SLE-G7-LES13, Tridonic SLE-G7-LES15**

Lighting Connector Features Included: **No Driver on Board, Not Optic Compatible, Not Programmable, Zhaga Inspired**

Operating Voltage: **60 VDC**

Termination Method to Wire & Cable: **Poke-In**

Number of Positions: **1**

[All LED Holders, Z45 \(11\)](#)

Features

Product Type Features

| | |
|-----------------------------------|-----------------------|
| LED Holders Product Type | LED Holder |
| COB Substrate Thickness | 1 mm |
| Connector & Contact Terminates To | Printed Circuit Board |

Configuration Features

| | |
|--------------------------------------|--|
| Lighting Connector Features Included | No Driver on Board, Not Optic Compatible, Not Programmable, Zhaga Inspired |
| Number of Positions | 1 |

Electrical Characteristics

| | |
|-------------------|--------|
| Operating Voltage | 60 VDC |
|-------------------|--------|



Body Features

Compatible LED

Bridgelux V13, Citizen CLU710, Citizen CLU711, Citizen CLU720, Cree CMT 1930, Everlight EAHP1919Wxx, Luminus CGM-14 GEN4, Luminus CHM-11-XH20, Luminus CHM-9-XH20/XH30, Luminus CLM-14 GEN 3, Luminus CLM-14 GEN4, Luminus CXM-11 GEN3, Luminus CXM-11 GEN4, Luminus CXM-14 Gen 3, Luminus CXM-14 GEN4, Osram s13 Series, Samsung LC016D, Samsung LC019D, Samsung LC030C, Samsung LC033D, Seoul SDWx2F1A, Seoul SDWx3F1C, Tridonic SLE-G6-LES 10, Tridonic SLE-G7-LES13, Tridonic SLE-G7-LES15

Contact Features

Contact Current Rating (Max)

3 A

Termination Features

Termination Method to Wire & Cable

Poke-In

Housing Features

Housing Material

PBT GF

Usage Conditions

Operating Temperature Range

-40 – 105 °C[-40 – 105 °F]

Operation/Application

Circuit Application

Power

Product Compliance

[For compliance documentation, visit the product page on TE.com>](#)

EU RoHS Directive 2011/65/EU

Compliant

EU ELV Directive 2000/53/EC

Compliant

China RoHS 2 Directive MIIT Order No 32, 2016

No Restricted Materials Above Threshold

EU REACH Regulation (EC) No. 1907/2006

Current ECHA Candidate List: JUNE 2023 (235)
Candidate List Declared Against: JUL 2021 (219)
Does not contain REACH SVHC

Halogen Content

Low Bromine/Chlorine - Br and Cl < 900 ppm per homogenous material. Also BFR /CFR/PVC Free



Solder Process Capability

Not reviewed for solder process capability

Product Compliance Disclaimer

This information is provided based on reasonable inquiry of our suppliers and represents our current actual knowledge based on the information they provided. This information is subject to change. The part numbers that TE has identified as EU RoHS compliant have a maximum concentration of 0.1% by weight in homogenous materials for lead, hexavalent chromium, mercury, PBB, PBDE, DBP, BBP, DEHP, DIBP, and 0.01% for cadmium, or qualify for an exemption to these limits as defined in the Annexes of Directive 2011/65/EU (RoHS2). Finished electrical and electronic equipment products will be CE marked as required by Directive 2011/65/EU. Components may not be CE marked. Additionally, the part numbers that TE has identified as EU ELV compliant have a maximum concentration of 0.1% by weight in homogenous materials for lead, hexavalent chromium, and mercury, and 0.01% for cadmium, or qualify for an exemption to these limits as defined in the Annexes of Directive 2000/53/EC (ELV). Regarding the REACH Regulation, the information TE provides on SVHC in articles for this part number is based on the latest European Chemicals Agency (ECHA) 'Guidance on requirements for substances in articles' posted at this URL: <https://echa.europa.eu/guidance-documents/guidance-on-reach>

Compatible Parts




TE Part # 2834006-3
RELEASE POKE-IN
CONNECTOR_3POLES



TE Part # 2834334-2
4.0PITCH ITB CONN_2P_W
CAP_NATURAL

Also in the Series | LUMAWISE LED Holders



LED Holders(79)

Customers Also Bought



TE Part #2007492-8
SFP+assy2x1 Spring Fingers No Lp Sn



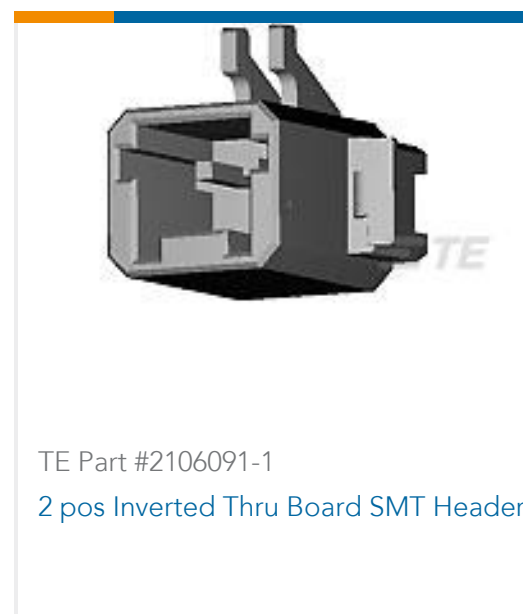
TE Part #2213627-2
ASSEMBLY, ROT DIM REC 49.22MM 7
POS 150C



TE Part #3-794636-4
04P MICRO MNL ASSY,VRT,SMT,LF



TE Part #2213626-1
GASKET, SEALING ROT DIM RECEPT



Documents

Product Drawings

LUMAWISE Z45 LED HOLDER 19X19

English

CAD Files

3D PDF

3D

Customer View Model

[ENG_CVM_CVM_2325807-2_B.2d_dxf.zip](#)

English

Customer View Model

[ENG_CVM_CVM_2325807-2_B.3d_igs.zip](#)

English

Customer View Model

[ENG_CVM_CVM_2325807-2_B.3d_stp.zip](#)

English

By downloading the CAD file I accept and agree to the [Terms and Conditions](#) of use.

Datasheets & Catalog Pages

LUMAWISE Z45 LED HOLDERS

English

Product Specifications

Application Specification

English

Application Specification

English



Agency Approvals

LED Holders

English

LED Holders CB Test Certificate to IEC 60838

English