

2323767-3 ✓ ACTIVE



QSFP-DD

TE Internal #: 2323767-3

QSFP-DD Cable Assembly, 32 Positions, 6.56 ft [2 m], 56 Gb/s, Black Cable, Shielded, 28 AWG, .32 mm², Madison TurboTwin - Round Jacketed, QSFP-DD Plug

[View on TE.com >](#)

Cable Assemblies > Copper Cable Assemblies > Pluggable I/O Cable Assemblies



Cable Assembly Type: **QSFP-DD**

Wire Size: **.32 mm²**

Outside Cable Diameter: **7.69 mm [.303 in]**

Shielded: **Yes**

Features

Product Type Features

Latching Style	Pull Tab Release
Cable Assembly Category	High Speed
Cable Assembly Type	QSFP-DD
Connector Type (End A)	QSFP-DD Plug
Connector Type (End B)	QSFP-DD Plug
Cable Style	Madison TurboTwin - Round Jacketed

Configuration Features

Number of Positions	32
Number of Pairs	16
Number of Signal Positions	32

Electrical Characteristics

Impedance	100 Ω
-----------	-------

Signal Characteristics

Data Rate	56 Gb/s
-----------	---------



Body Features

Jacket Material	PVC
Cable Color	Black
Cable Flammability Rating	VW-1

Mechanical Attachment

Mating Alignment	Without
------------------	---------

Housing Features

Housing Material	Zinc Alloy
------------------	------------

Dimensions

Wire Size	.32 mm ²
Outside Cable Diameter	7.69 mm [.303 in]

Operation/Application

Shielded	Yes
Halogen Free	No

Other

Cable Assembly Configuration	Double Ended
Cable Assembly Length	2 m [6.56 ft]

Product Compliance

[For compliance documentation, visit the product page on TE.com>](#)

EU RoHS Directive 2011/65/EU	Compliant with Exemptions
EU ELV Directive 2000/53/EC	Compliant
China RoHS 2 Directive MIIT Order No 32, 2016	Restricted Materials Above Threshold
EU REACH Regulation (EC) No. 1907/2006	Current ECHA Candidate List: JUNE 2023 (235) Candidate List Declared Against: JAN 2023 (233) SVHC > Threshold: TBPH (15% in Component Part) Article Safe Usage Statements: Wash thoroughly after handling. Do not handle until all safety precautions have been read and understood. Recycle if possible and dispose of the article by following all applicable governmental regulations relevant to your geographic location.
Halogen Content	Not Low Halogen - contains Br or Cl > 900 ppm.
Solder Process Capability	Not reviewed for solder process capability

Product Compliance Disclaimer

This information is provided based on reasonable inquiry of our suppliers and represents our current actual knowledge based on the information they provided. This information is subject to change. The part numbers that TE has identified as EU RoHS compliant have a maximum concentration of 0.1% by weight in homogenous materials for lead, hexavalent chromium, mercury, PBB, PBDE, DBP, BBP, DEHP, DIBP, and 0.01% for cadmium, or qualify for an exemption to these limits as defined in the Annexes of Directive 2011/65/EU (RoHS2). Finished electrical and electronic equipment products will be CE marked as required by Directive 2011/65/EU. Components may not be CE marked. Additionally, the part numbers that TE has identified as EU ELV compliant have a maximum concentration of 0.1% by weight in homogenous materials for lead, hexavalent chromium, and mercury, and 0.01% for cadmium, or qualify for an exemption to these limits as defined in the Annexes of Directive 2000/53/EC (ELV). Regarding the REACH Regulation, the information TE provides on SVHC in articles for this part number is based on the latest European Chemicals Agency (ECHA) 'Guidance on requirements for substances in articles' posted at this URL: <https://echa.europa.eu/guidance-documents/guidance-on-reach>

Compatible Parts

 <p>TE Part # 2342933-1 QSFP-DD 1X1, STANDARD, W/ EXTRUDED HS</p>	 <p>TE Part # 2342933-3 QSFP-DD 1X1, STANDARD, W/ EXTRUDED HS</p>	 <p>TE Part # 2342934-1 QSFP-DD 1X1, STANDARD, W/ ZIPPER HS</p>	 <p>TE Part # 2342934-2 QSFP-DD 1X1, STANDARD, W/ ZIPPER HS</p>
 <p>TE Part # 2318579-1 RCPT CONN R/A SMT 76 POSN QSFP- DD</p>	 <p>TE Part # 2318579-2 RCPT CONN R/A SMT 76 POSN QSFP- DD WSHRS</p>	 <p>TE Part # 2340397-1 CAGE ASSY W/ HS SPRING 2X1 QSFP- DD</p>	 <p>TE Part # 2340397-2 CAGE ASSY W/ HS SPRING 2X1 QSFP- DD</p>
 <p>TE Part # 2340397-3 CAGE ASSY W/ HS SPRING 2X1 QSFP- DD</p>	 <p>TE Part # 2340397-4 CAGE ASSY W/ HS SPRING 2X1 QSFP- DD</p>	 <p>TE Part # 2342886-1 CAGE ASSY 1X3 QSFP-DD HS EXTRUSION PCI</p>	 <p>TE Part # 2342886-2 CAGE ASSY 1X3 QSFP-DD HS EXTRUSION SAN</p>
 <p>TE Part # 2342886-3 CAGE ASSY 1X3 QSFP-DD HS EXTRUSION NET</p>	 <p>TE Part # 2342888-1 CAGE ASSY 1X3 QSFP-DD HS STACK PCI</p>	 <p>TE Part # 2342888-2 CAGE ASSY 1X3 QSFP-DD HS STACK SAN</p>	 <p>TE Part # 2342888-3 CAGE ASSY 1X3 QSFP-DD HS STACK SAN</p>




TE Part # 2342891-1
CAGE ASSY 1X6 QSFP-DD HS
EXTRUTION PCI



TE Part # 2342891-2
CAGE ASSY 1X6 QSFP-DD HS
EXTRUTION SAN



TE Part # 2342891-3
CAGE ASSY 1X6 QSFP-DD HS
EXTRUTION NET



TE Part # 2342892-1
CAGE ASSY 1X6 QSFP-DD HS STACK
PCI

Also in the Series | QSFP-DD



Pluggable I/O Cable Assemblies(41)



QSFP-DD(36)

Customers Also Bought



TE Part #2299805-1
NRW BACK PLATE ASSY, SOCKET P0,
STUD6.8MM



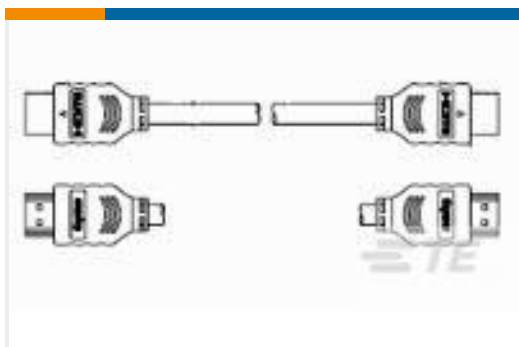
TE Part #1367645-6
DWDM Kit Assy, Networking (13.



TE Part #2110819-1
QSFP+ Enh EVERCLEAR PT Conn



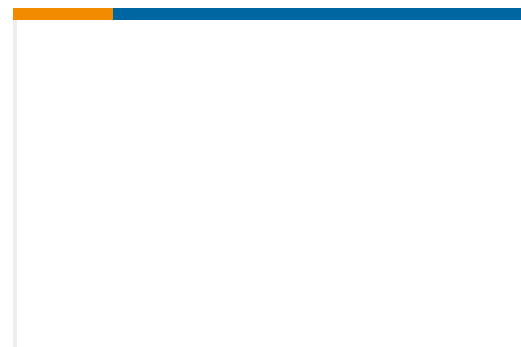
TE Part #5-146128-1
03 MODII HDR SR SFMNT B/A LF



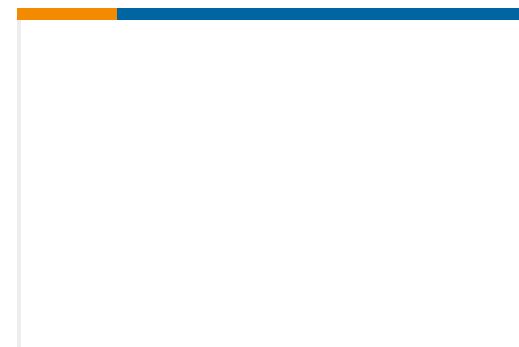
TE Part #1770019-1
C/A, HDMI TO HDMI, 2000MM



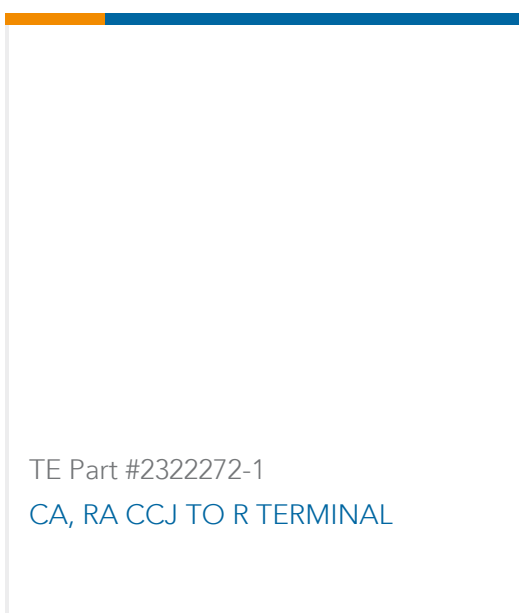
TE Part #2323767-4
DD-DD, 28AWG 2-8PR, 2.5M



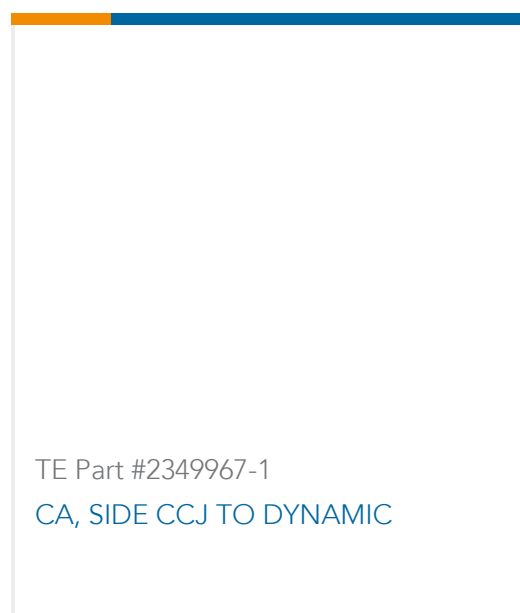
TE Part #2323766-7
DD-DD, 30AWG 2-8PR, 1.75M



TE Part #2291579-5
ZSFP+ 1X1 ,PCI, PF, W/O GASKET,
SMT PACK



TE Part #2322272-1
CA, RA CCJ TO R TERMINAL



TE Part #2349967-1
CA, SIDE CCJ TO DYNAMIC



Documents

CAD Files

3D PDF

3D

Customer View Model

[ENG_CVM_CVM_2323767-3_1.2d_dxf.zip](#)

English

Customer View Model

[ENG_CVM_CVM_2323767-3_1.3d_igs.zip](#)

English

Customer View Model

[ENG_CVM_CVM_2323767-3_1.3d_stp.zip](#)

English

By downloading the CAD file I accept and agree to the [Terms and Conditions](#) of use.

Datasheets & Catalog Pages

[QSFP-DD Connectors and Cable Assemblies Portfolio Overview \(English\)](#)

English

[QSFP-DD Connectors and Cable Assemblies Portfolio Overview \(Chinese\)](#)

Product Specifications

[Product Specification](#)

English