



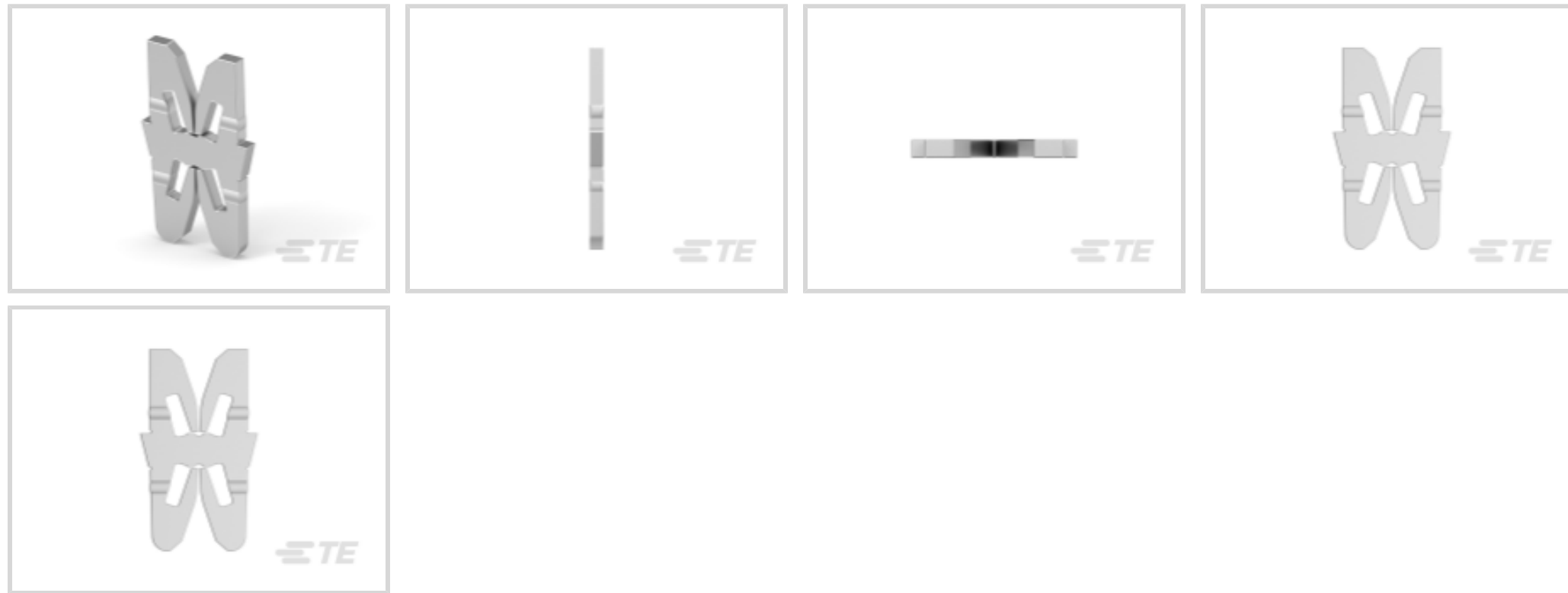
TE Internal #: 2322343-2

Magnet Wire Terminals, Wire-to-Wire, 1601421, .45 – 1. mm

Aluminum Wire, Lead Wire Size 22 – 18 AWG, Lead Wire Size .3 – .8 mm<sup>2</sup>, SIAMEZE IDC

[View on TE.com >](#)

Terminals & Splices > Magnet Wire Terminals



Magnet Wire Terminal Type: **Wire-to-Wire**

Compatible With Cavity Size: **1601421**

Compatible Insulation Diameter (Max): **2.9 mm [ .114 in ]**

Aluminum Wire Size: **.45 – 1. mm**

Lead Wire Size: **22 – 18 AWG**

### Features

#### Product Type Features

Compatible With Discrete Wire Type	Magnet Wire & Lead Wire
------------------------------------	-------------------------

#### Body Features

Compatible With Cavity Size	1601421
-----------------------------	---------

#### Contact Features

Magnet Wire Terminal Type	Wire-to-Wire
Terminal Plating Material	Tin

#### Termination Features

Termination Method to Wire & Cable	SIAMEZE IDC
------------------------------------	-------------

#### Mechanical Attachment

Mating Retention Type	Barbs
-----------------------	-------

#### Dimensions

Terminal Height	7.62 mm[.3 in]
Compatible Insulation Diameter (Max)	2.9 mm[.114 in]
Aluminum Wire Size	.45 – 1. mm



Lead Wire Size	.3 – .8 mm <sup>2</sup>
Stock Thickness (Magnet Wire Side)	.51 mm[.02 in]
Product Length	7.62 mm[.31 in]

### Usage Conditions

Insulation Option	Uninsulated
Operating Temperature Range	-40 – 125 °C[-40 – 257 °F]

### Operation/Application

Compatible With Wire Base Material	Aluminum
------------------------------------	----------

### Packaging Features

Packaging Quantity	50000
Packaging Method	Reel

### Other

Terminals & Splices Comment	Lead wire may be stranded, solid or bonded with 105° C PVC insulation. Contact TE when using lead wires with other types of insulation., Recommended Pocket P/N 1601433, Recommended Pocket P/N 1601440
-----------------------------	---

## Product Compliance

[For compliance documentation, visit the product page on TE.com>](#)

EU RoHS Directive 2011/65/EU	Compliant
EU ELV Directive 2000/53/EC	Compliant
China RoHS 2 Directive MIIT Order No 32, 2016	No Restricted Materials Above Threshold
EU REACH Regulation (EC) No. 1907/2006	Current ECHA Candidate List: JUNE 2023 (235) Candidate List Declared Against: JUNE 2023 (235) Does not contain REACH SVHC
Halogen Content	Low Halogen - Br, Cl, F, I < 900 ppm per homogenous material. Also BFR/CFR/PVC Free
Solder Process Capability	Not reviewed for solder process capability













#### Product Compliance Disclaimer

This information is provided based on reasonable inquiry of our suppliers and represents our current actual knowledge based on the information they provided. This information is subject to change. The part numbers that TE has identified as EU RoHS compliant have a maximum concentration of 0.1% by weight in homogenous materials for lead, hexavalent



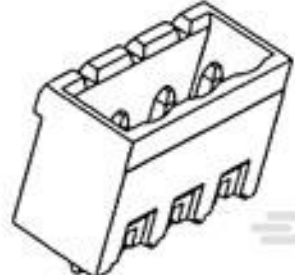



chromium, mercury, PBB, PBDE, DBP, BBP, DEHP, DIBP, and 0.01% for cadmium, or qualify for an exemption to these limits as defined in the Annexes of Directive 2011/65/EU (RoHS2). Finished electrical and electronic equipment products will be CE marked as required by Directive 2011/65/EU. Components may not be CE marked. Additionally, the part numbers that TE has identified as EU ELV compliant have a maximum concentration of 0.1% by weight in homogenous materials for lead, hexavalent chromium, and mercury, and 0.01% for cadmium, or qualify for an exemption to these limits as defined in the Annexes of Directive 2000/53/EC (ELV). Regarding the REACH Regulation, the information TE provides on SVHC in articles for this part number is based on the latest European Chemicals Agency (ECHA) 'Guidance on requirements for substances in articles' posted at this URL: <https://echa.europa.eu/guidance-documents/guidance-on-reach>

## Compatible Parts

 <p>TE Part # 6-1601046-2 WIRE2WIRE,STD,SMZ</p>	 <p>TE Part # 1601046-1 131-101-000=WIRE2WIRE,STD,SMZ</p>	 <p>TE Part # 1601196-1 WIRE2BLADE,HIGH CARRIER,STD,SMZ</p>	 <p>TE Part # 1601046-2 WIRE2WIRE,STD,SMZ</p>
 <p>TE Part # 1601046-3 STANDARD WIRE TO WIRE SIAMEZE, HIGH TEMP,</p>	 <p>TE Part # 1601196-2 WIRE2BLADE,HIGH CARRIER,STD,SMZ</p>	 <p>TE Part # 1601196-3 WIRE2BLADE,HIGH CARRIER,STD,SMZ</p>	 <p>TE Part # 1725385-1 TOOL,REPLACEMENT</p>
 <p>TE Part # 1725385-2 TOOL,REPLACEMENT</p>	 <p>TE Part # 2-1601196-1 WIRE2BLADE,HIGH CARRIER,STD,SMZ</p>	 <p>TE Part # 2310498-2 STD,HIGH CARRIER WIRE TO BALDE SIAMEZE</p>	 <p>TE Part # 2322343-1 WIRE2WIRE,STD,SMZ FOR AL WIRE</p>

## Customers Also Bought

 <p>TE Part #2-1393243-4 RTE25524</p>	 <p>TE Part #964339-1 MAG MATE KONT. MKII</p>	 <p>TE Part #1-1546111-0 EUROSTYLE TB,HEADER,GREY,10POS</p>	 <p>TE Part #5822138-4 80 ME .050 L/P AU M/L PB-FREE</p>
--	--	--	---



## Documents

### Product Drawings

[WIRE2WIRE,STD,SMZ FOR AL WIRE](#)

English

### CAD Files

[3D PDF](#)

3D

Customer View Model

[ENG\\_CVM\\_CVM\\_2322343-2\\_A.2d\\_dxf.zip](#)

English

Customer View Model

[ENG\\_CVM\\_CVM\\_2322343-2\\_A.3d\\_igs.zip](#)

English

Customer View Model

[ENG\\_CVM\\_CVM\\_2322343-2\\_A.3d\\_stp.zip](#)

English

By downloading the CAD file I accept and agree to the [Terms and Conditions](#) of use.

### Product Specifications

[Application Specification](#)

English