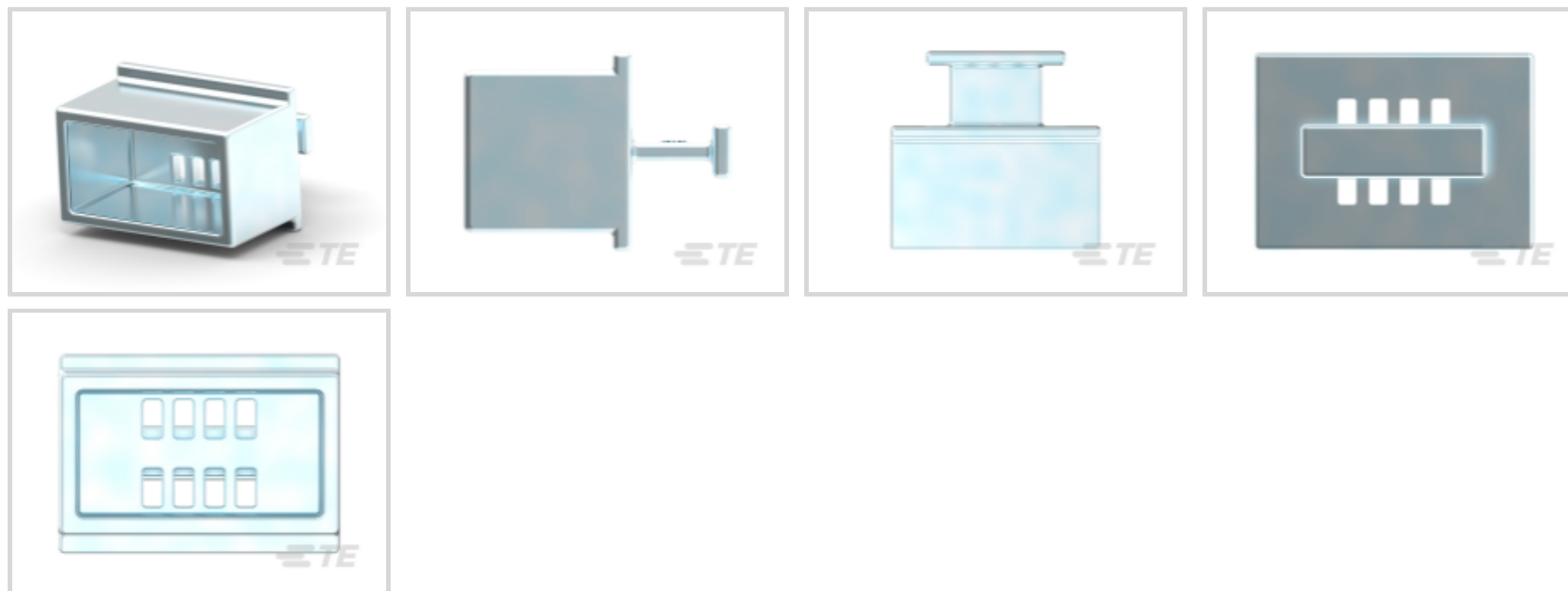




Connectors > Rectangular Connectors > Rectangular Connector Accessories > Rectangular Caps & Covers



Connector Cover Type: **EMI Plug Dust Cover**

Sealable: **No**

Features

Product Type Features

Connector Cover Type	EMI Plug Dust Cover
Sealable	No

Product Compliance

[For compliance documentation, visit the product page on TE.com>](#)

EU RoHS Directive 2011/65/EU	Compliant
EU ELV Directive 2000/53/EC	Compliant
China RoHS 2 Directive MIIT Order No 32, 2016	No Restricted Materials Above Threshold
EU REACH Regulation (EC) No. 1907/2006	Current ECHA Candidate List: JUNE 2023 (235) Candidate List Declared Against: JUNE 2023 (235) Does not contain REACH SVHC
Halogen Content	Low Halogen - Br, Cl, F, I < 900 ppm per homogenous material. Also BFR/CFR/PVC Free
Solder Process Capability	Not applicable for solder process capability

Product Compliance Disclaimer

This information is provided based on reasonable inquiry of our suppliers and represents our current actual knowledge based on the information they provided. This information is subject to change. The part numbers that TE has identified as EU RoHS compliant have a maximum concentration of 0.1% by weight in homogenous materials for lead, hexavalent chromium, mercury, PBB, PBDE, DBP, BBP, DEHP, DIBP, and 0.01% for cadmium, or qualify for an exemption to these

limits as defined in the Annexes of Directive 2011/65/EU (RoHS2). Finished electrical and electronic equipment products will be CE marked as required by Directive 2011/65/EU. Components may not be CE marked. Additionally, the part numbers that TE has identified as EU ELV compliant have a maximum concentration of 0.1% by weight in homogenous materials for lead, hexavalent chromium, and mercury, and 0.01% for cadmium, or qualify for an exemption to these limits as defined in the Annexes of Directive 2000/53/EC (ELV). Regarding the REACH Regulation, the information TE provides on SVHC in articles for this part number is based on the latest European Chemicals Agency (ECHA) 'Guidance on requirements for substances in articles' posted at this URL: <https://echa.europa.eu/guidance-documents/guidance-on-reach>

Compatible Parts



TE Part # CAT-P65-N4903
OSFP Cage Assembly: EMI Springs

Customers Also Bought



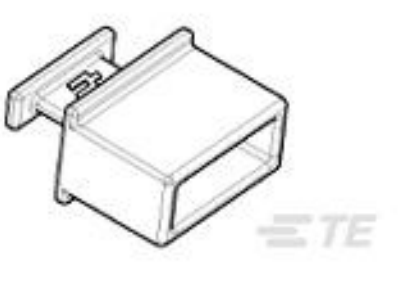
TE Part #5227673-1
BNC PCB VERTICAL JACK W/POST



TE Part #5-102618-3
10 MODII HDR DRST SHRD .100CL



TE Part #1-770170-1
03P MINI UMNL ASSY VO SNAU LF



TE Part #1888810-2
EMI/Dust Cover,XFP And QSFP




TE Part #2007193-1
SFP+ 1x1 Cage Assembly, PCI, S




TE Part #87124-1
LOCKING CLIP CONT ASSY .025 SQ




TE Part #2293156-5
ZSFP+ 1X6 CAGE ASSY, PRESS-FIT, HS



TE Part #1-2314790-1
ZQSFP+ 2X1 BELLY TO BELLY CAGE&CONN



TE Part #2159636-1
C/A,MBXLE POWER.



TE Part #2159965-2
CA, 2POS ET TO RING TONGUE

Documents



Product Drawings

DUST AND EMI PLUG, PLATED, OSFP

English

CAD Files

3D PDF

3D

Customer View Model

ENG_CVM_CVM_2317857-2_A.2d_dxf.zip

English

Customer View Model

ENG_CVM_CVM_2317857-2_A.3d_igs.zip

English

Customer View Model

ENG_CVM_CVM_2317857-2_A.3d_stp.zip

English

By downloading the CAD file I accept and agree to the [Terms and Conditions](#) of use.

Datasheets & Catalog Pages

OSFP Cages, Connectors, and Cable Assemblies (English)

English

Product Specifications

Application Specification

English

Product Environmental Compliance

Product Compliance

English

Product Compliance

English