



Alcoswitch | Alcoswitch AV25

TE Internal #: 2317655-2

Push Button Switches, Single Pole - Single Throw Configuration (Pole-Throw), Switch, Single Actuator, Flush Actuator Profile, Alcoswitch AV25

[View on TE.com >](#)

Relays, Contactors & Switches > Switches > Push Button Switches



Configuration (Pole-Throw): **Single Pole - Single Throw**

Push Button Switch Product Type: **Switch**

Number of Actuators: **Single**

Actuator Profile: **Flush**

Bushing Style: **Threaded**

Features

Product Type Features

Switch Type	Pushbutton
Dust Proof	Yes
Push Button Switch Product Type	Switch
Illuminated	No
Actuator Style	Round

Configuration Features

ESD Grounding Terminal	Without
Detent Style	Audible
Configuration (Pole-Throw)	Single Pole - Single Throw
Number of Actuators	Single
Snap Action	Without
Support Bracket	Without
Tactile	No
Operating Function	On Off

Electrical Characteristics

Push Button Switch Voltage Rating	250 VAC
-----------------------------------	---------

Body Features



Case Material	PBT
Actuator Profile	Flush
Bushing Style	Threaded

Contact Features

Contact Base Material	Copper
Push Button Switch Contact Current Rating	3 A
Switch Contact Plating Material	Silver

Mechanical Attachment

Mounting Angle	Vertical
Push Button Switch Mounting Type	Panel

Housing Features

Process Sealed	Yes
----------------	-----

Industry Standards

IP Rating	IP67
-----------	------

Product Compliance

[For compliance documentation, visit the product page on TE.com>](#)

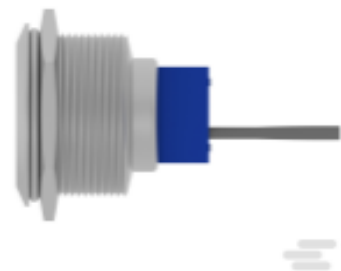
EU RoHS Directive 2011/65/EU	Compliant with Exemptions
EU ELV Directive 2000/53/EC	Compliant with Exemptions
China RoHS 2 Directive MIIT Order No 32, 2016	Restricted Materials Above Threshold
EU REACH Regulation (EC) No. 1907/2006	Current ECHA Candidate List: JUNE 2023 (235) Candidate List Declared Against: JUNE 2023 (235) SVHC > Threshold: Pb (4% in Component Part) Article Safe Usage Statements: Do not eat, drink or smoke when using this product. Wash thoroughly after handling. Recycle if possible and dispose of the article by following all applicable governmental regulations relevant to your geographic location.
Halogen Content	Low Halogen - Br, Cl, F, I < 900 ppm per homogenous material. Also BFR/CFR/PVC Free
Solder Process Capability	Not reviewed for solder process capability

Product Compliance Disclaimer

This information is provided based on reasonable inquiry of our suppliers and represents our current actual knowledge based on the information they provided. This information is subject to change. The part numbers that TE has identified as EU RoHS compliant have a maximum concentration of 0.1% by weight in homogenous materials for lead, hexavalent chromium, mercury, PBB, PBDE, DBP, BBP, DEHP, DIBP, and 0.01% for cadmium, or qualify for an exemption to these

limits as defined in the Annexes of Directive 2011/65/EU (RoHS2). Finished electrical and electronic equipment products will be CE marked as required by Directive 2011/65/EU. Components may not be CE marked. Additionally, the part numbers that TE has identified as EU ELV compliant have a maximum concentration of 0.1% by weight in homogenous materials for lead, hexavalent chromium, and mercury, and 0.01% for cadmium, or qualify for an exemption to these limits as defined in the Annexes of Directive 2000/53/EC (ELV). Regarding the REACH Regulation, the information TE provides on SVHC in articles for this part number is based on the latest European Chemicals Agency (ECHA) 'Guidance on requirements for substances in articles' posted at this URL: <https://echa.europa.eu/guidance-documents/guidance-on-reach>

Compatible Parts



TE Part # 2317655-1
AV25 SPM 3A NO LED FL



TE Part # 2317656-1
AV25 SPM 3A MOVING RING WHITE 12V



TE Part # 2317656-3
AV25 SPM 3A MOVING RING RED 12V



TE Part # 2317656-5
AV25 SPM 3A MOVING RING YELLOW 12V



TE Part # 2317656-7
AV25 SPM 3A MOVING RING GREEN 12V



TE Part # 2317656-9
AV25 SPM 3A MOVING RING BLUE 12V



TE Part # 2317658-1
AV25 SPM 3A MOVING RING POWER WHITE 12V



TE Part # 2317658-3
AV25 SPM 3A MOVING RING POWER YELLOW 12V



TE Part # 2317658-4
AV25 SPM 3A MOVING RING POWER GREEN 12V



TE Part # 2317658-5
AV25 SPM 3A MOVING RING POWER BLUE 12V



TE Part # 2317659-1
AV25 SPM 3A MOVING RING POWER R&G 12V FL



TE Part # 1-2317656-1
AV25 SPL 3A MOVING RING WHITE 12V



TE Part # 1-2317656-3
AV25 SPL 3A MOVING RING RED 12V



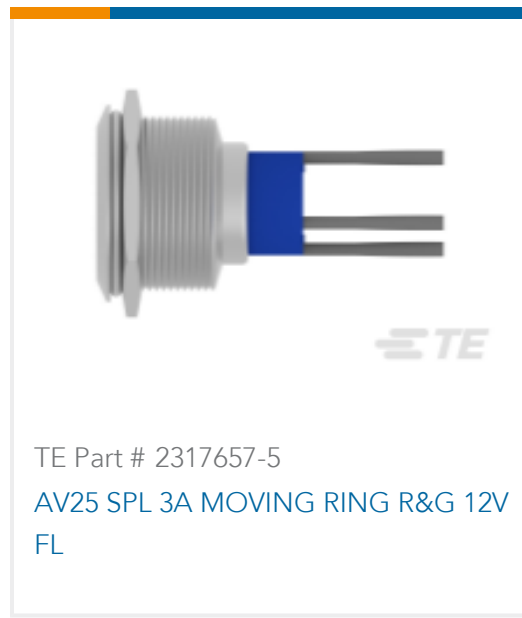
TE Part # 1-2317656-5
AV25 SPL 3A MOVING RING YELLOW 12V



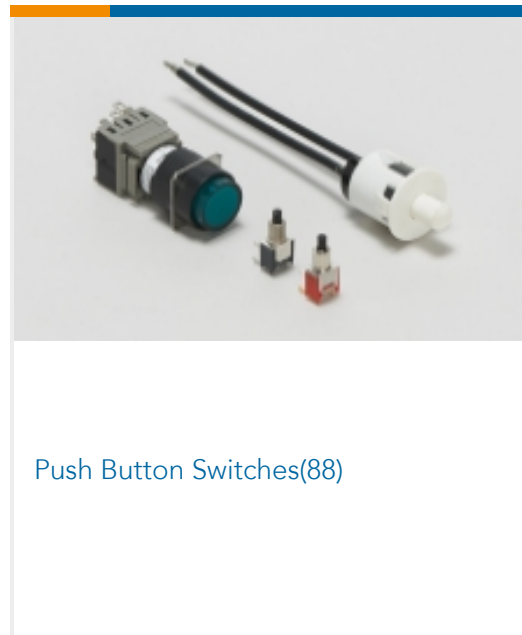
TE Part # 1-2317656-7
AV25 SPL 3A MOVING RING GREEN 12V



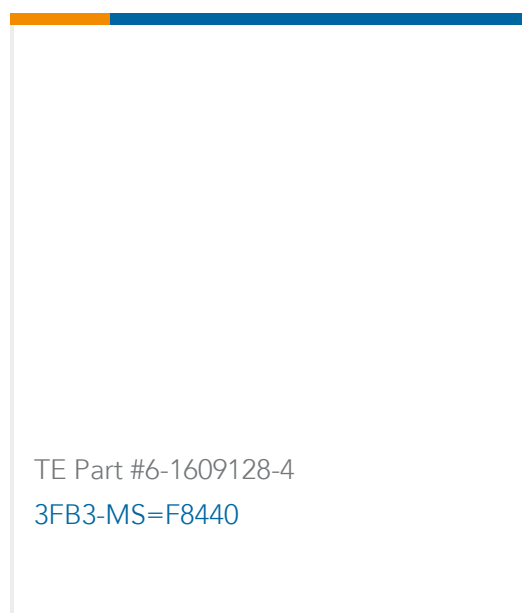
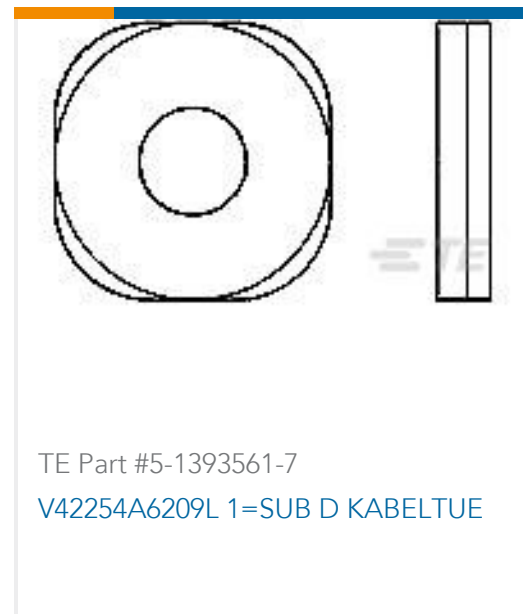
TE Part # 1-2317656-9
AV25 SPL 3A MOVING RING BLUE 12V



Also in the Series | **Alcoswitch AV25**



Customers Also Bought





Documents

Product Drawings

[AV25 SPL 3A NO LED FL](#)

English

CAD Files

[3D PDF](#)

3D

Customer View Model

[ENG_CVM_CVM_2317655-2_A.2d_dxf.zip](#)

English

Customer View Model

[ENG_CVM_CVM_2317655-2_A.3d_igs.zip](#)

English

Customer View Model

[ENG_CVM_CVM_2317655-2_A.3d_stp.zip](#)

English

By downloading the CAD file I accept and agree to the [Terms and Conditions](#) of use.

Datasheets & Catalog Pages

[ALCOSWITCH Anti-Vandal Switch flyer](#)

English

Agency Approvals

[UL Report](#)

English