

2317070-1 ✓ ACTIVE

AMP | Heavy Duty Sealed Connector Series

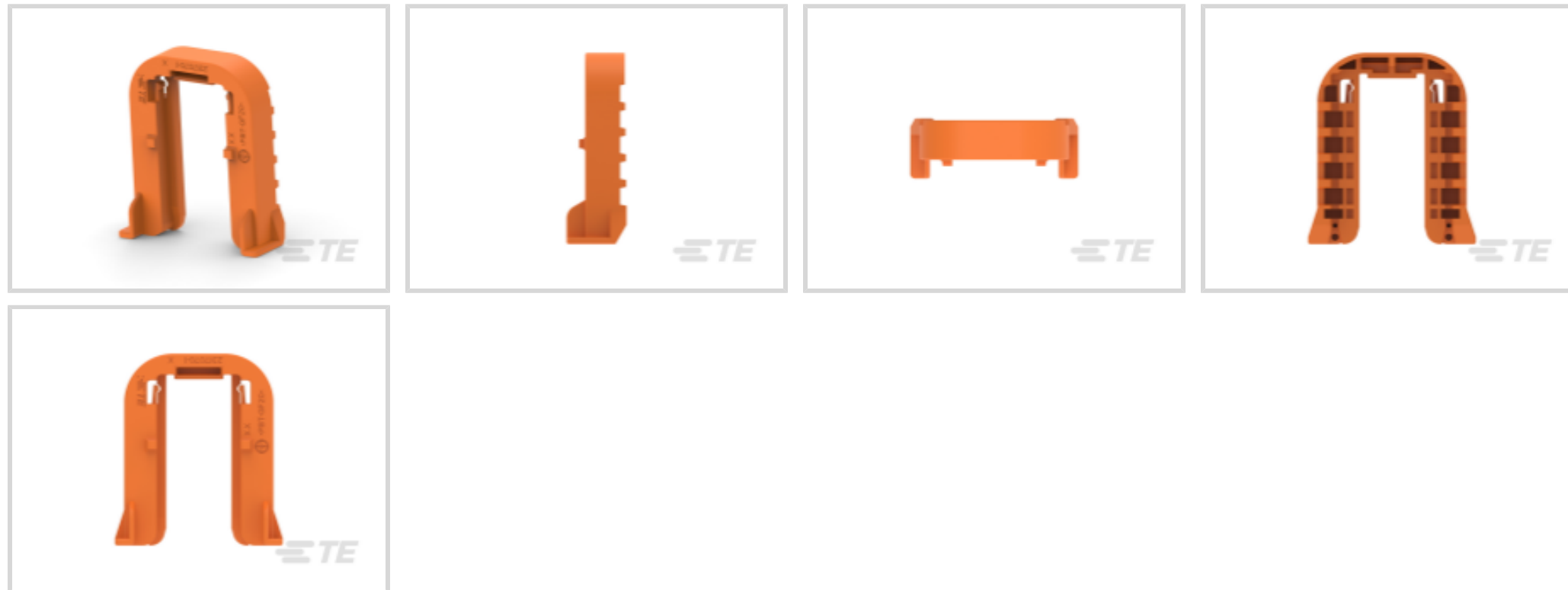
TE Internal #: 2317070-1

Other Automotive Connector Accessories, Mounting Clip, PBT GF,  
Orange, -40 – 140 °C, Heavy Duty Sealed Connector Series

[View on TE.com >](#)



Connectors > Automotive Connectors > Automotive Connector Accessories > Other Automotive Connector Accessories



Automotive Connector Accessory Type: **Mounting Clip**

Primary Product Material: **PBT GF**

Primary Product Color: **Orange**

Number of Positions: **0**

Operating Temperature Range: **-40 – 140 °C**

## Features

### Product Type Features

Automotive Connector Accessory Type	Mounting Clip
-------------------------------------	---------------

### Configuration Features

Number of Positions	0
---------------------	---

### Body Features

Primary Product Material	PBT GF
--------------------------	--------

Primary Product Color	Orange
-----------------------	--------

### Usage Conditions

Operating Temperature Range	-40 – 140 °C
-----------------------------	--------------

### Industry Standards

UL Flammability Rating	UL 94V-0
------------------------	----------

### Packaging Features

Packaging Method	Box
------------------	-----

### Other

Serviceable	Yes
-------------	-----



## Product Compliance

[For compliance documentation, visit the product page on TE.com>](#)

EU RoHS Directive 2011/65/EU	Compliant
EU ELV Directive 2000/53/EC	Compliant
China RoHS 2 Directive MIIT Order No 32, 2016	No Restricted Materials Above Threshold
EU REACH Regulation (EC) No. 1907/2006	Current ECHA Candidate List: JUNE 2023 (235) Candidate List Declared Against: JAN 2023 (233) Does not contain REACH SVHC
Halogen Content	Low Halogen - Br, Cl, F, I < 900 ppm per homogenous material. Also BFR/CFR/PVC Free
Solder Process Capability	Not reviewed for solder process capability

### Product Compliance Disclaimer

This information is provided based on reasonable inquiry of our suppliers and represents our current actual knowledge based on the information they provided. This information is subject to change. The part numbers that TE has identified as EU RoHS compliant have a maximum concentration of 0.1% by weight in homogenous materials for lead, hexavalent chromium, mercury, PBB, PBDE, DBP, BBP, DEHP, DIBP, and 0.01% for cadmium, or qualify for an exemption to these limits as defined in the Annexes of Directive 2011/65/EU (RoHS2). Finished electrical and electronic equipment products will be CE marked as required by Directive 2011/65/EU. Components may not be CE marked. Additionally, the part numbers that TE has identified as EU ELV compliant have a maximum concentration of 0.1% by weight in homogenous materials for lead, hexavalent chromium, and mercury, and 0.01% for cadmium, or qualify for an exemption to these limits as defined in the Annexes of Directive 2000/53/EC (ELV). Regarding the REACH Regulation, the information TE provides on SVHC in articles for this part number is based on the latest European Chemicals Agency (ECHA) 'Guidance on requirements for substances in articles' posted at this URL: <https://echa.europa.eu/guidance-documents/guidance-on-reach>

## Compatible Parts



Also in the Series | [Heavy Duty Sealed Connector Series](#)



Automotive Connector Caps & Covers (25)



Automotive Housings(207)



Connector Seals & Cavity Plugs(5)



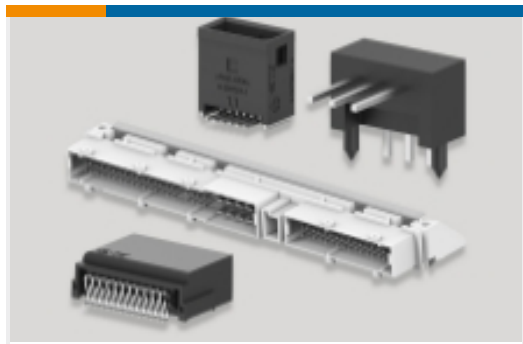
Data Connectivity Headers(2)



Data Connectivity Housings(18)



Other Automotive Connector Accessories(34)

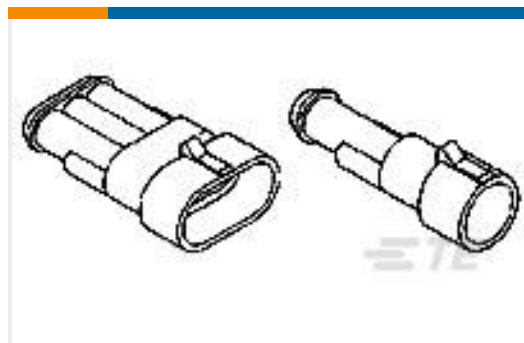


PCB Headers & Receptacles(1)

## Customers Also Bought



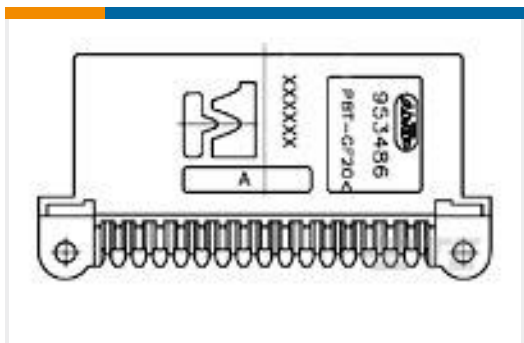
TE Part #1-1703820-1  
6POS,TAB 1.6X0.6,TAB HSG,ASSY,



TE Part #282107-1  
AMP SUPERSEAL 1.5 SERIES 5P CA



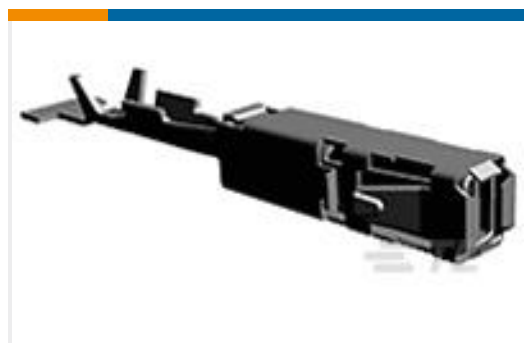
TE Part #T4145535041-001  
M12 R/A F PNL STAMPED PIN D-CODE 4P SHLD



TE Part #953486-1  
32pos MQS .63 header 90deg



TE Part #1-2112041-1  
26POS, MIXED,TAB HSG,ASSY, SEALED



TE Part #1241380-1  
AMP MCP 1.5K, CONTACT, SWS



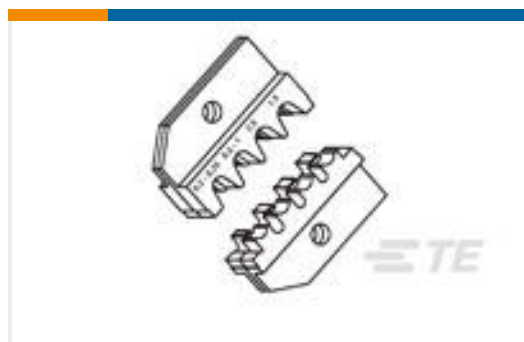
TE Part #1393315-9  
V23132B2002A200=HCR



TE Part #710031-4  
XCT 10-6



TE Part #3-1618411-6  
KHR500KVANL = CONTACTOR, SPST-NO, 12V



TE Part #539950-2  
ERGO DIE MCP 1,5 K

## Documents



### CAD Files

#### 3D PDF

3D

#### Customer View Model

[ENG\\_CVM\\_CVM\\_2317070-1\\_A.2d\\_dxf.zip](#)

English

#### Customer View Model

[ENG\\_CVM\\_CVM\\_2317070-1\\_A.3d\\_igs.zip](#)

English

#### Customer View Model

[ENG\\_CVM\\_CVM\\_2317070-1\\_A.3d\\_stp.zip](#)

English

By downloading the CAD file I accept and agree to the [Terms and Conditions](#) of use.

### Datasheets & Catalog Pages

#### HDSCS Catalog

English

### Product Specifications

#### Application Specification

English