

2316939-1 ✓ ACTIVE

AMP | Heavy Duty Sealed Connector Series

TE Internal #: 2316939-1

Other Automotive Connector Accessories, Mounting Clip, PBT GF, Orange, -40 – 140 °C [-40 – 248 °F], Heavy Duty Sealed Connector Series

[View on TE.com >](#)



Connectors > Automotive Connectors > Automotive Connector Accessories > Other Automotive Connector Accessories >

Heavy Duty Sealed Connector Series Fixing Slides



Automotive Connector Accessory Type: **Mounting Clip**

Primary Product Material: **PBT GF**

Primary Product Color: **Orange**

Operating Temperature Range: **-40 – 140 °C [-40 – 248 °F]**

[All Heavy Duty Sealed Connector Series Fixing Slides \(33\)](#)

Features

Product Type Features

Automotive Connector Accessory Type	Mounting Clip
-------------------------------------	---------------

Body Features

Primary Product Material	PBT GF
Primary Product Color	Orange

Usage Conditions

Operating Temperature Range	-40 – 140 °C[-40 – 248 °F]
-----------------------------	----------------------------

Product Compliance

[For compliance documentation, visit the product page on TE.com>](#)

EU RoHS Directive 2011/65/EU	Compliant
EU ELV Directive 2000/53/EC	Compliant
China RoHS 2 Directive MIIT Order No 32, 2016	No Restricted Materials Above Threshold



EU REACH Regulation (EC) No. 1907/2006

Current ECHA Candidate List: JUNE 2023 (235)

Candidate List Declared Against: JAN 2023 (233)

Does not contain REACH SVHC

Halogen Content

Low Halogen - Br, Cl, F, I < 900 ppm per homogenous material. Also BFR/CFR/PVC Free

Solder Process Capability

Not reviewed for solder process capability

Product Compliance Disclaimer

This information is provided based on reasonable inquiry of our suppliers and represents our current actual knowledge based on the information they provided. This information is subject to change. The part numbers that TE has identified as EU RoHS compliant have a maximum concentration of 0.1% by weight in homogenous materials for lead, hexavalent chromium, mercury, PBB, PBDE, DBP, BBP, DEHP, DIBP, and 0.01% for cadmium, or qualify for an exemption to these limits as defined in the Annexes of Directive 2011/65/EU (RoHS2). Finished electrical and electronic equipment products will be CE marked as required by Directive 2011/65/EU. Components may not be CE marked. Additionally, the part numbers that TE has identified as EU ELV compliant have a maximum concentration of 0.1% by weight in homogenous materials for lead, hexavalent chromium, and mercury, and 0.01% for cadmium, or qualify for an exemption to these limits as defined in the Annexes of Directive 2000/53/EC (ELV). Regarding the REACH Regulation, the information TE provides on SVHC in articles for this part number is based on the latest European Chemicals Agency (ECHA) 'Guidance on requirements for substances in articles' posted at this URL: <https://echa.europa.eu/guidance-documents/guidance-on-reach>

Compatible Parts



TE Part # CAT-H3399-CH8172
Heavy Duty Sealed Connector Series Housings




TE Part # 2347973-1
BLIND CONNECTOR,TAB HSG ASSY, GROUP E


Also in the Series | Heavy Duty Sealed Connector Series



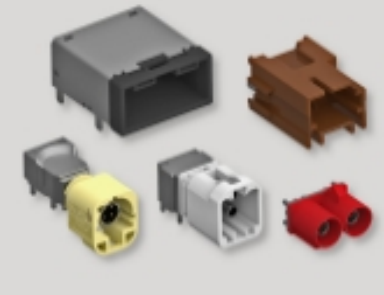
Automotive Connector Caps & Covers (25)



Automotive Housings(207)



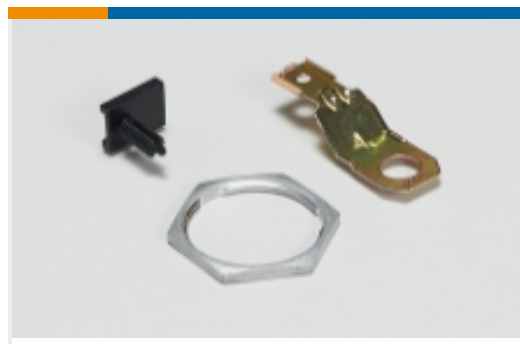
Connector Seals & Cavity Plugs(5)



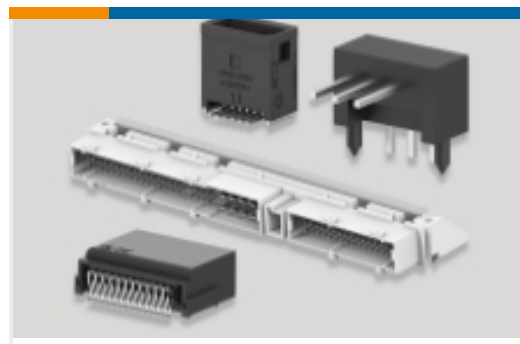
Data Connectivity Headers(2)



Data Connectivity Housings(18)



Other Automotive Connector Accessories(34)



PCB Headers & Receptacles(1)

Customers Also Bought



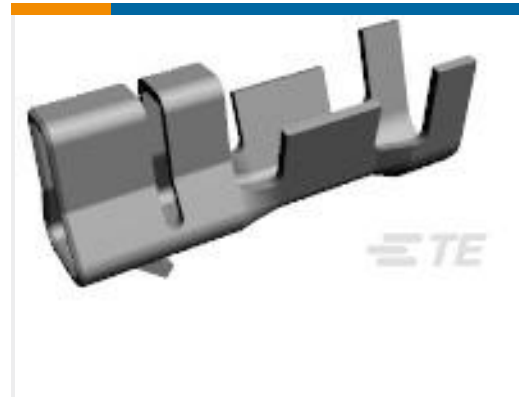
TE Part #1456987-3
2x4 Fem unsealed LP assy Key C



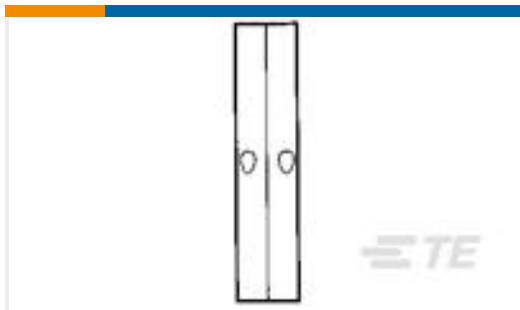
TE Part #1-929080-5
2POS MQS REC COD A



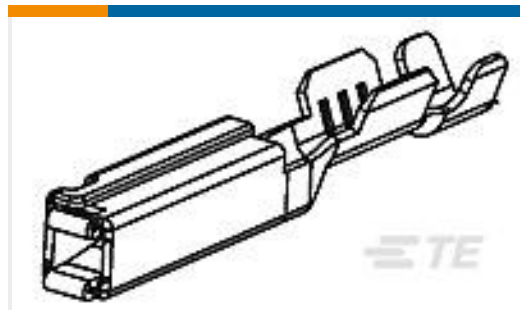
TE Part #917686-1
STD Temp Signal Double Lock Plug



TE Part #917683-1
2.5 SIGNAL DBL LOCK REC CONT L



TE Part #31818
SPLICE, SOLIS, BUTT, 22-16 COMM
22-18MIL



TE Part #1393364-2
V23540X7000Y 12=GET FEM TERM A



TE Part #368317-1
CLIP HSG FOR MQS



TE Part #62638-1
RING TONGUE 22-20 AWG TPBR



TE Part #2317070-1
SLIDE,PIN HSG ASSY

Documents

CAD Files

3D PDF

3D

Customer View Model

[ENG_CVM_CVM_2316939-1_A.2d_dxf.zip](#)

English

Customer View Model

[ENG_CVM_CVM_2316939-1_A.3d_igs.zip](#)



English

Customer View Model

[ENG_CVM_CVM_2316939-1_A.3d_stp.zip](#)

English

By downloading the CAD file I accept and agree to the [Terms and Conditions](#) of use.

Datasheets & Catalog Pages

[HDSCS Catalog](#)

English

Product Specifications

[Application Specification](#)

English