



Connectors > Automotive Connectors > Automotive Housings



Connector System: **Bus Bar-to-Bus Bar**

Sealable: **No**

Primary Product Color: **Orange**

Connector & Contact Terminates To: **Bus Bar**

Contact Current Rating (Max): **220 A**

Features

Product Type Features

Connector System	Bus Bar-to-Bus Bar
Sealable	No
Connector & Contact Terminates To	Bus Bar

Electrical Characteristics

Nominal Voltage Architecture	750 V
------------------------------	-------

Body Features

Primary Product Color	Orange
-----------------------	--------

Contact Features

Contact Current Rating (Max)	220 A
------------------------------	-------

Housing Features

Housing Material	PA GF
------------------	-------

Dimensions

Connector Height	81.1 mm
Product Width	105.3 mm
Product Length	111.2 mm



Operation/Application

Circuit Application	Power
---------------------	-------

Industry Standards

Degree of Protection	IP2XB
Agency/Standard	SAE/USCAR-2
UL Flammability Rating	UL 94V-0

Packaging Features

Packaging Quantity	9
Packaging Method	Box & Carton

Product Compliance

[For compliance documentation, visit the product page on TE.com>](#)

EU RoHS Directive 2011/65/EU	Compliant
EU ELV Directive 2000/53/EC	Compliant
China RoHS 2 Directive MIIT Order No 32, 2016	No Restricted Materials Above Threshold
EU REACH Regulation (EC) No. 1907/2006	Current ECHA Candidate List: JUNE 2023 (235) Candidate List Declared Against: JAN 2023 (233) Does not contain REACH SVHC
Halogen Content	BFR/CFR/PVC Free, but Br/Cl >900 ppm in other sources.
Solder Process Capability	Not reviewed for solder process capability

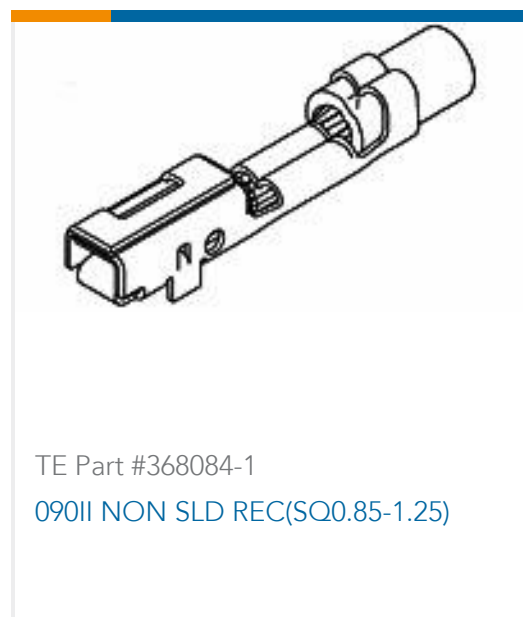
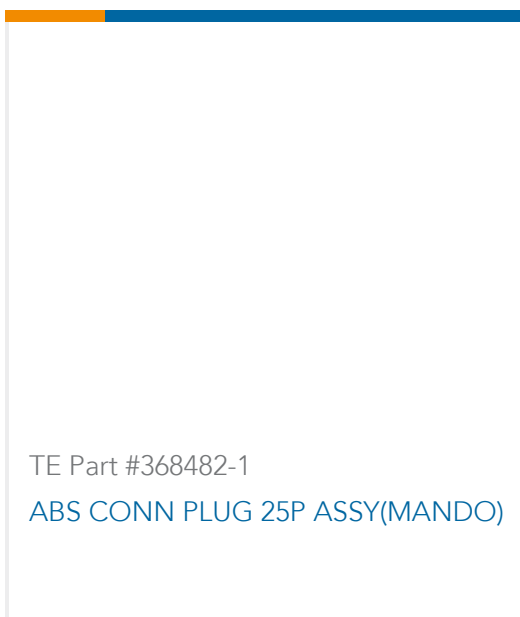
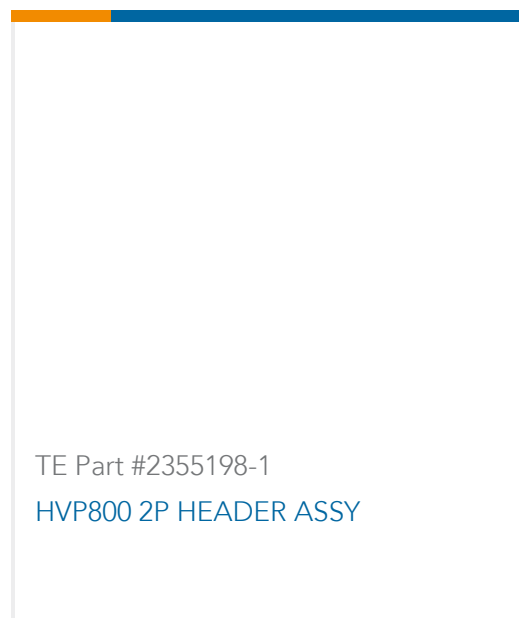
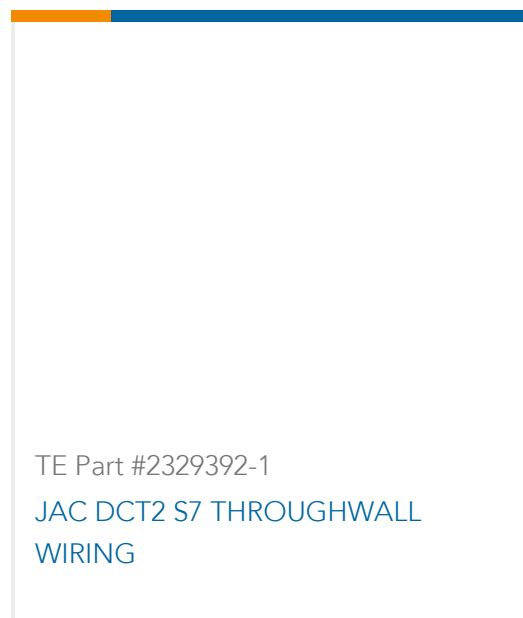
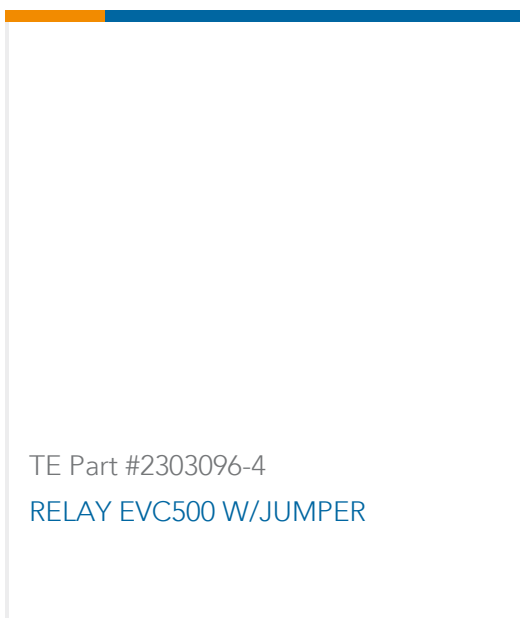
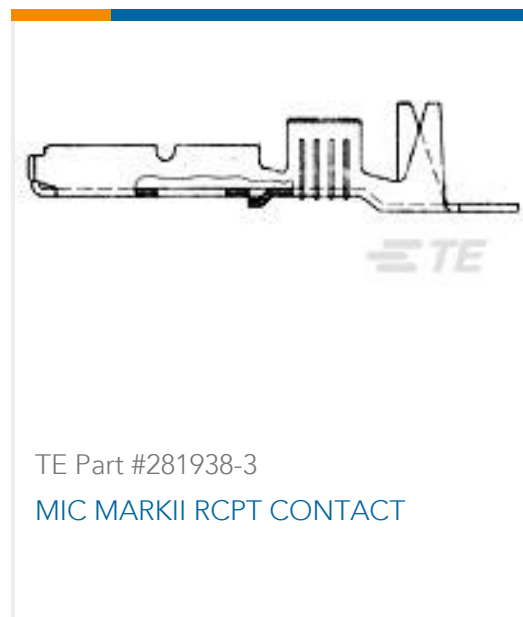
Product Compliance Disclaimer

This information is provided based on reasonable inquiry of our suppliers and represents our current actual knowledge based on the information they provided. This information is subject to change. The part numbers that TE has identified as EU RoHS compliant have a maximum concentration of 0.1% by weight in homogenous materials for lead, hexavalent chromium, mercury, PBB, PBDE, DBP, BBP, DEHP, DIBP, and 0.01% for cadmium, or qualify for an exemption to these limits as defined in the Annexes of Directive 2011/65/EU (RoHS2). Finished electrical and electronic equipment products will be CE marked as required by Directive 2011/65/EU. Components may not be CE marked. Additionally, the part numbers that TE has identified as EU ELV compliant have a maximum concentration of 0.1% by weight in homogenous materials for lead, hexavalent chromium, and mercury, and 0.01% for cadmium, or qualify for an exemption to these limits as defined in the Annexes of Directive 2000/53/EC (ELV). Regarding the REACH Regulation, the information TE provides on SVHC in articles for this part number is based on the latest European Chemicals Agency (ECHA) 'Guidance on requirements for substances in articles' posted at this URL: <https://echa.europa.eu/guidance-documents/guidance-on-reach>

Compatible Parts



Customers Also Bought



Documents

Product Drawings

MSD,PLUG HSG ASSY,450A,V0

English

CAD Files

3D PDF

3D

Customer View Model

ENG_CVM_CVM_2315856-4_A.2d_dxf.zip



English

Customer View Model

[ENG_CVM_CVM_2315856-4_A.3d_igs.zip](#)

English

Customer View Model

[ENG_CVM_CVM_2315856-4_A.3d_stp.zip](#)

English

By downloading the CAD file I accept and agree to the [Terms and Conditions](#) of use.

Datasheets & Catalog Pages

[Manual Service Disconnect \(MSD\) Brochure](#)

English