

2313376-1 ✓ ACTIVE

NanoRF

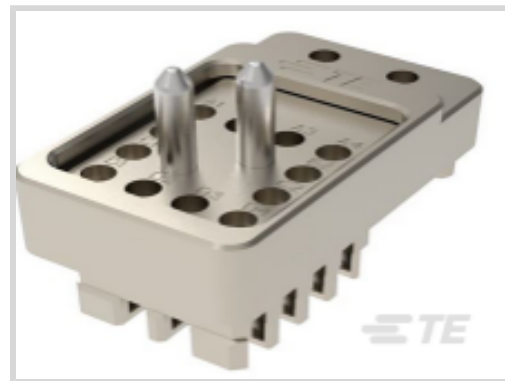
TE Internal #: 2313376-1

PCB RF Modules, 12 Coaxial Contacts, Vertical, Stainless Steel,  
Cable-to-Cable, 12 Position, Wire & Cable, Panel Mount, NanoRF

[View on TE.com >](#)



Connectors > RF Connectors > RF Connector Accessories > PCB RF Modules



Number of Coaxial Contacts: **12**

PCB Mount Orientation: **Vertical**

Body Material: **Stainless Steel**

Connector System: **Cable-to-Cable**

Number of Positions: **12**

## Features

### Product Type Features

Connector System	Cable-to-Cable
Connector & Contact Terminates To	Wire & Cable

### Configuration Features

Number of Coaxial Contacts	12
PCB Mount Orientation	Vertical
Number of Positions	12

### Electrical Characteristics

Impedance	50 $\Omega$
-----------	-------------

### Body Features

Body Plating Material	Passivated
Body Material	Stainless Steel

### Contact Features

RF Connector Center Contact Material	Beryllium Copper
Contact Current Rating (Max)	1 A

### Mechanical Attachment

Connector Mounting Type	Panel Mount
-------------------------	-------------

### Dimensions

--	--



RF Contact Spacing	2.79 mm[.11 in]
--------------------	-----------------

**Usage Conditions**

Operating Temperature Range	-65 – 120 °C[-85 – 248 °F]
-----------------------------	----------------------------

**Operation/Application**

Circuit Application	Signal
---------------------	--------

**Product Compliance**

[For compliance documentation, visit the product page on TE.com>](#)

EU RoHS Directive 2011/65/EU	Compliant
EU ELV Directive 2000/53/EC	Compliant
China RoHS 2 Directive MIIT Order No 32, 2016	No Restricted Materials Above Threshold
EU REACH Regulation (EC) No. 1907/2006	Current ECHA Candidate List: JUNE 2023 (235) Candidate List Declared Against: JAN 2019 (197) SVHC > Threshold: Not Yet Reviewed
Halogen Content	Low Halogen - Br, Cl, F, I < 900 ppm per homogenous material. Also BFR/CFR/PVC Free
Solder Process Capability	Not applicable for solder process capability

Product Compliance Disclaimer

This information is provided based on reasonable inquiry of our suppliers and represents our current actual knowledge based on the information they provided. This information is subject to change. The part numbers that TE has identified as EU RoHS compliant have a maximum concentration of 0.1% by weight in homogenous materials for lead, hexavalent chromium, mercury, PBB, PBDE, DBP, BBP, DEHP, DIBP, and 0.01% for cadmium, or qualify for an exemption to these limits as defined in the Annexes of Directive 2011/65/EU (RoHS2). Finished electrical and electronic equipment products will be CE marked as required by Directive 2011/65/EU. Components may not be CE marked. Additionally, the part numbers that TE has identified as EU ELV compliant have a maximum concentration of 0.1% by weight in homogenous materials for lead, hexavalent chromium, and mercury, and 0.01% for cadmium, or qualify for an exemption to these limits as defined in the Annexes of Directive 2000/53/EC (ELV). Regarding the REACH Regulations, TE's information on SVHC in articles for this part number is still based on the European Chemical Agency (ECHA) 'Guidance on requirements for substances in articles' (Version: 2, April 2011), applying the 0.1% weight on weight concentration threshold at the finished product level. TE is aware of the European Court of Justice ruling of September 10th, 2015 also known as O5A (Once An Article Always An Article) stating that, in case of 'complex object', the threshold for a SVHC must be applied to both the product as a whole and simultaneously to each of the articles forming part of its composition. TE has evaluated this ruling based on the new ECHA "Guidance on requirements for substances in articles" (June 2017, version 4.0) and will be updating its statements accordingly.

Also in the Series | [NanoRF](#)



PCB RF Modules(12)



RF Contacts(3)

## Customers Also Bought



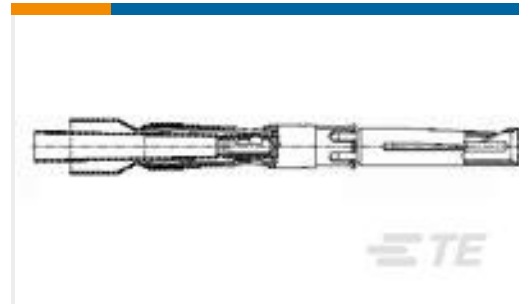
TE Part #5039954005  
SRRF-10/6.5-8-SP



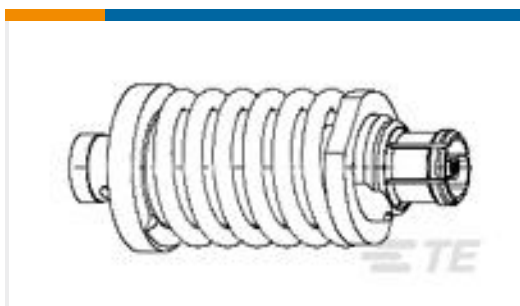
TE Part #4108170001  
HT-SCE-1/8-2.0-9



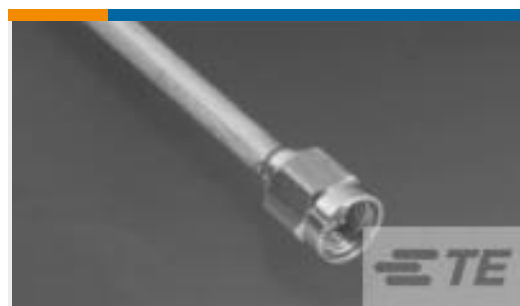
TE Part #890036-000  
S1009-KIT-A



TE Part #355956-000  
D-602-0172



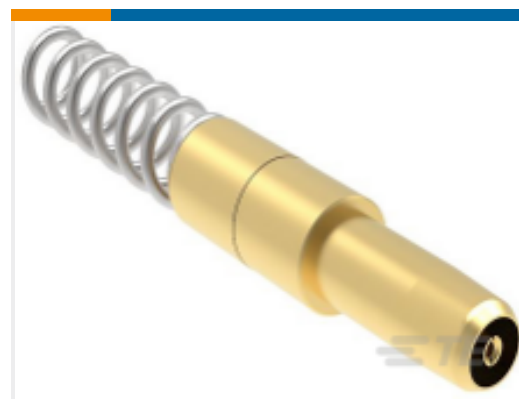
TE Part #1996771-1  
SMPM STR CBL JACK



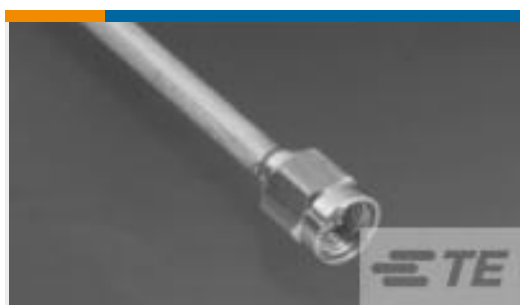
TE Part #1050548-1  
2001 5032 02



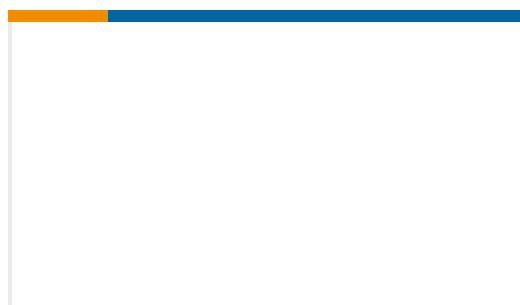
TE Part #2302339-1  
NanoRF SKT CONTACT, DAUGHTER  
CARD



TE Part #2302345-1  
NanoRF PIN CONTACT, BACKPLANE  
CARD



TE Part #1050525-1  
2001 5003 02,SMA CABLE PLUG



TE Part #692623-000  
D-621-0028CS930

## Documents

### Product Drawings

[NanoRF, BP, 12 POS, 67.3 D](#)

English

### CAD Files

[3D PDF](#)

[3D](#)

### Customer View Model

[ENG\\_CVM\\_CVM\\_2313376-1\\_4.2d\\_dxf.zip](#)



English

**Customer View Model**

[ENG\\_CVM\\_CVM\\_2313376-1\\_4.3d\\_igs.zip](#)

English

**Customer View Model**

[ENG\\_CVM\\_CVM\\_2313376-1\\_4.3d\\_stp.zip](#)

English

By downloading the CAD file I accept and agree to the [Terms and Conditions](#) of use.

---

**Datasheets & Catalog Pages**

[Products for Aerospace and Defense](#)

English

---

**Product Specifications**

[Product Specification](#)

English

[Product Specification](#)

English

---

**Instruction Sheets**

[Instruction Sheet \(U.S.\)](#)

English