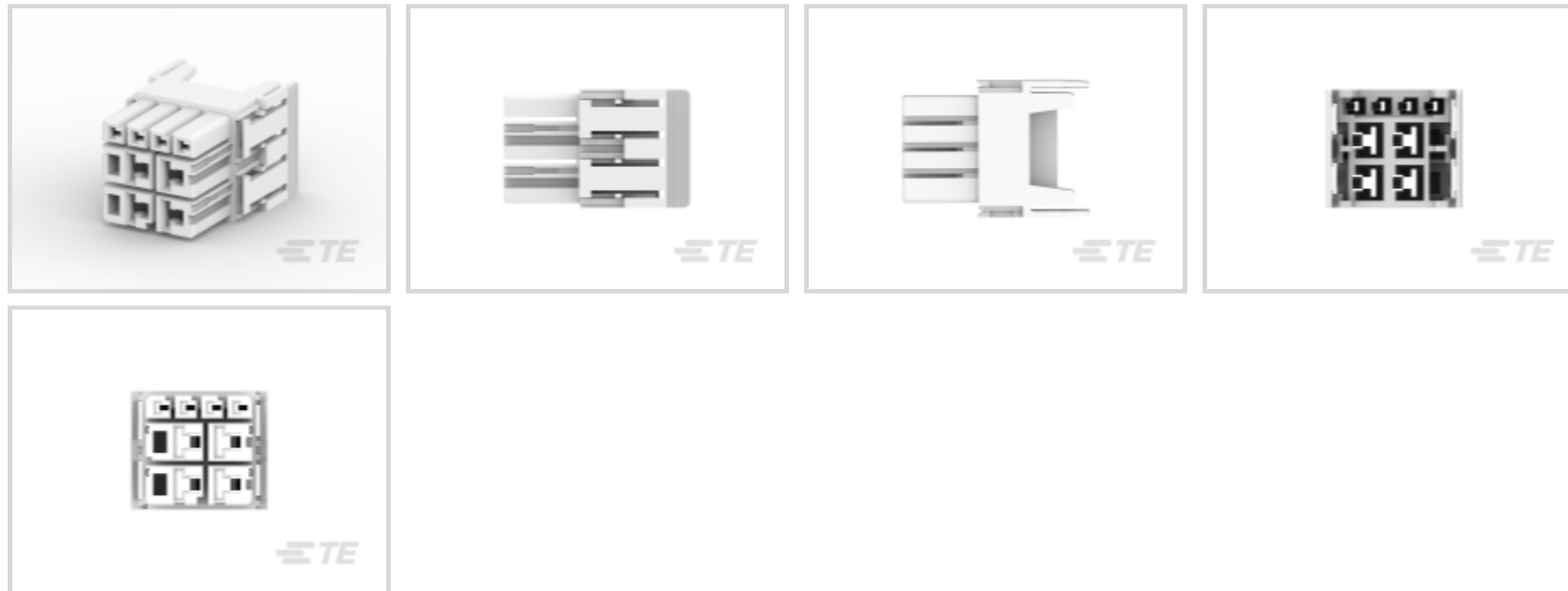




Connectors > Rectangular Connectors > Rectangular Contact Inserts



Rectangular Connector Insert Type: **Insert for Contacts**

Contact Type: **Receptacle**

Termination Method to Wire & Cable: **Crimp**

Connector System: **Wire-to-Wire**

Number of Positions: **4, 6**

Features

Product Type Features

Rectangular Connector Insert Type	Insert for Contacts
Connector System	Wire-to-Wire
Sealable	No
Connector & Contact Terminates To	Wire & Cable

Configuration Features

Number of Positions	4, 6
---------------------	------

Body Features

Primary Product Material	PBT
--------------------------	-----

Contact Features

Contact Type	Receptacle
--------------	------------

Termination Features

Termination Method to Wire & Cable	Crimp
------------------------------------	-------

Mechanical Attachment

Connector Mounting Type	Cable Mount (Free-Hanging)
-------------------------	----------------------------



Housing Features

Centerline (Pitch)	6.5 mm, 8.42 mm [.256 in][.331 in]
--------------------	------------------------------------

Usage Conditions

Operating Temperature Range	-40 – 125 °C [-67 – 257 °F]
-----------------------------	-----------------------------

Operation/Application

Circuit Application	Power & Signal
---------------------	----------------

Packaging Features

Packaging Quantity	36
Packaging Method	Bag

Product Compliance

[For compliance documentation, visit the product page on TE.com>](#)

EU RoHS Directive 2011/65/EU	Compliant
EU ELV Directive 2000/53/EC	Compliant
China RoHS 2 Directive MIIT Order No 32, 2016	No Restricted Materials Above Threshold
EU REACH Regulation (EC) No. 1907/2006	Current ECHA Candidate List: JUNE 2023 (235) Candidate List Declared Against: JUNE 2023 (235) Does not contain REACH SVHC
Halogen Content	Not Low Halogen - contains Br or Cl > 900 ppm.
Solder Process Capability	Not reviewed for solder process capability

Product Compliance Disclaimer

This information is provided based on reasonable inquiry of our suppliers and represents our current actual knowledge based on the information they provided. This information is subject to change. The part numbers that TE has identified as EU RoHS compliant have a maximum concentration of 0.1% by weight in homogenous materials for lead, hexavalent chromium, mercury, PBB, PBDE, DBP, BBP, DEHP, DIBP, and 0.01% for cadmium, or qualify for an exemption to these limits as defined in the Annexes of Directive 2011/65/EU (RoHS2). Finished electrical and electronic equipment products will be CE marked as required by Directive 2011/65/EU. Components may not be CE marked. Additionally, the part numbers that TE has identified as EU ELV compliant have a maximum concentration of 0.1% by weight in homogenous materials for lead, hexavalent chromium, and mercury, and 0.01% for cadmium, or qualify for an exemption to these limits as defined in the Annexes of Directive 2000/53/EC (ELV). Regarding the REACH Regulations, TE's information on SVHC in articles for this part number is still based on the European Chemical Agency (ECHA) 'Guidance on requirements for substances in articles' (Version: 2, April 2011), applying the 0.1% weight on weight concentration threshold at the finished product level. TE is aware of the European Court of Justice ruling of September 10th, 2015 also known as O5A (Once An Article Always An Article) stating that, in case of 'complex object', the threshold for a SVHC must be applied to both the product as a whole and simultaneously to each of the articles forming part of its composition. TE has evaluated this ruling based on the new ECHA "Guidance on requirements for substances in articles" (June 2017, version 4.0) and will be updating its statements accordingly.

Compatible Parts



TE Part # T1410102000-000
H10B-AG



TE Part # 1318697-2
DYNAMIC D-5 SERIES REC CONTACT



TE Part # 2311162-5
DYNAMIC D-3 FMLB REC CONT AU0.
38 3L L/P



TE Part # 2312739-2
HMN-HDW5/3-4/4-M




TE Part # T2070064201-002
H6BN-T2-F-HD




TE Part # T2070104201-002
H10BN-T3-F-HD

Also in the Series | HDC HMN




Connector Contacts(2)



Insertion & Extraction Tools(1)



Rectangular Connector Hardware(16)

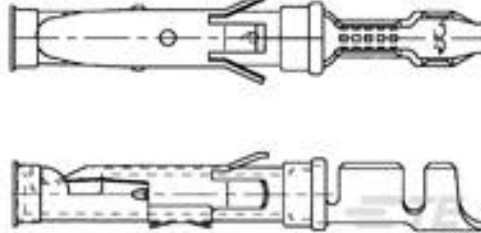


Rectangular Contact Inserts(119)

Customers Also Bought



TE Part #182655-1
17 SIZE CPC STD CLAMP



TE Part #163088-1
062 SOC.ASS. TYP3+



TE Part #4-1462037-7
IM07GR=IM RELAY 200mW 24VDC



TE Part #5-1625984-7
Power Resistors: Aluminum Housed,
HSA



Documents

Product Drawings

[HMN-HDW5/3-4/4-F](#)

English

CAD Files

[3D PDF](#)

3D

Customer View Model

[ENG_CVM_CVM_2312740-2_1.2d_dxf.zip](#)

English

Customer View Model

[ENG_CVM_CVM_2312740-2_1.3d_igs.zip](#)

English

Customer View Model

[ENG_CVM_CVM_2312740-2_1.3d_stp.zip](#)

English

By downloading the CAD file I accept and agree to the [Terms and Conditions](#) of use.

Datasheets & Catalog Pages

[HEAVY DUTY CONNECTORS](#)

English

Product Specifications

[Application Specification](#)

English

[Application Specification](#)

English



Agency Approvals

UL

English