

2308171-9 ✓ ACTIVE



zQSFP+/QSFP28

TE Internal #: 2308171-9

QSFP, QSFP+ & zQSPF+, Cage Assembly with Integrated Connector, 2 x 2, Internal/External EMI Springs, Included Lightpipe, Standard, zQSFP+/QSFP28

[View on TE.com >](#)

Connectors > Pluggable IO Connectors & Cages > QSFP, QSFP+ & zQSPF+



Pluggable I/O Product Type: **Cage Assembly with Integrated Connector**

Port Matrix Configuration: **2 x 2**

EMI Containment Feature Type: **Internal/External EMI Springs**

Included Lightpipe: **Yes**

Enhancements: **Standard**

Features

Product Type Features

Form Factor	zQSFP+
Cage Type	Stacked
Pluggable I/O Product Type	Cage Assembly with Integrated Connector
Connector System	Cable-to-Board
Sealable	No
Connector & Contact Terminates To	Printed Circuit Board

Configuration Features

Port Matrix Configuration	2 x 2
Number of Ports	4
Lightpipe Configuration	Outer Left Indicator Up
Number of Rear EONs per Port Column	0
Number of Positions	152

Contact Features

Contact Mating Area Plating Material Thickness	30 μm[.76 μin]
--	----------------



Contact Mating Area Plating Material	Gold
--------------------------------------	------

PCB Contact Termination Area Plating Material	Tin
---	-----

Contact Current Rating (Max)	.5 A
------------------------------	------

Termination Features

Termination Post & Tail Length	2 mm[.079 in]
--------------------------------	---------------

Termination Method to Printed Circuit Board	Through Hole - Press-Fit
---	--------------------------

Mechanical Attachment

Connector Mounting Type	Board Mount
-------------------------	-------------

Housing Features

Cage Material	Nickel Silver Alloy
---------------	---------------------

Centerline (Pitch)	.8 mm[.032 in]
--------------------	----------------

Dimensions

PCB Thickness (Recommended)	3 mm
-----------------------------	------

Usage Conditions

Operating Temperature Range	-40 – 85 °C[-40 – 185 °F]
-----------------------------	---------------------------

Operation/Application

Heat Sink Compatible	No
----------------------	----

For Use With Pluggable I/O Products	QSFP28 Cable Assembly
-------------------------------------	-----------------------

Pluggable I/O Applications	QSFP28
----------------------------	--------

Circuit Application	Signal
---------------------	--------

Industry Standards

UL Flammability Rating	UL 94V-0
------------------------	----------

Packaging Features

Packaging Method	Box & Tray
------------------	------------

Other

EMI Containment Feature Type	Internal/External EMI Springs
------------------------------	-------------------------------

Included Lightpipe	Yes
--------------------	-----

Enhancements	Standard
--------------	----------

Product Compliance

For compliance documentation, visit the product page on [TE.com](https://www.te.com)>



EU RoHS Directive 2011/65/EU	Compliant
EU ELV Directive 2000/53/EC	Compliant
China RoHS 2 Directive MIIT Order No 32, 2016	No Restricted Materials Above Threshold
EU REACH Regulation (EC) No. 1907/2006	Current ECHA Candidate List: JUNE 2023 (235) Candidate List Declared Against: JAN 2023 (233) Does not contain REACH SVHC
Halogen Content	Low Bromine/Chlorine - Br and Cl < 900 ppm per homogenous material. Also BFR /CFR/PVC Free
Solder Process Capability	Not applicable for solder process capability

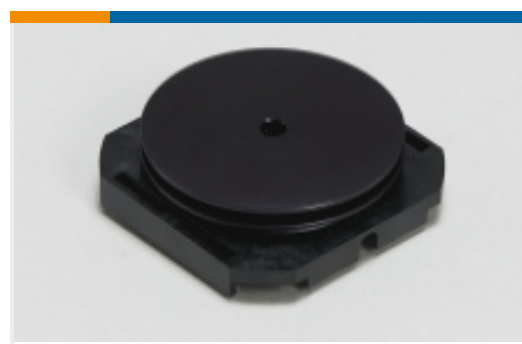
Product Compliance Disclaimer

This information is provided based on reasonable inquiry of our suppliers and represents our current actual knowledge based on the information they provided. This information is subject to change. The part numbers that TE has identified as EU RoHS compliant have a maximum concentration of 0.1% by weight in homogenous materials for lead, hexavalent chromium, mercury, PBB, PBDE, DBP, BBP, DEHP, DIBP, and 0.01% for cadmium, or qualify for an exemption to these limits as defined in the Annexes of Directive 2011/65/EU (RoHS2). Finished electrical and electronic equipment products will be CE marked as required by Directive 2011/65/EU. Components may not be CE marked. Additionally, the part numbers that TE has identified as EU ELV compliant have a maximum concentration of 0.1% by weight in homogenous materials for lead, hexavalent chromium, and mercury, and 0.01% for cadmium, or qualify for an exemption to these limits as defined in the Annexes of Directive 2000/53/EC (ELV). Regarding the REACH Regulation, the information TE provides on SVHC in articles for this part number is based on the latest European Chemicals Agency (ECHA) 'Guidance on requirements for substances in articles' posted at this URL: <https://echa.europa.eu/guidance-documents/guidance-on-reach>

Compatible Parts



Also in the Series | zQSFP+/QSFP28



Heat Sinks(1)

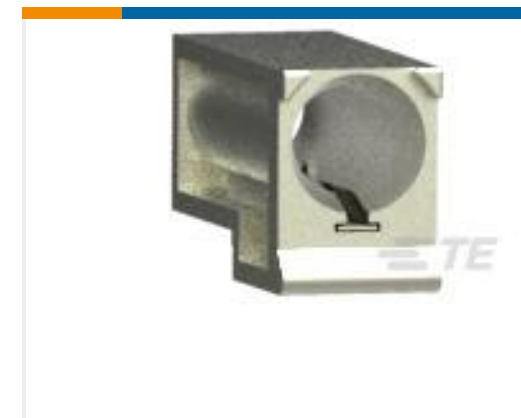
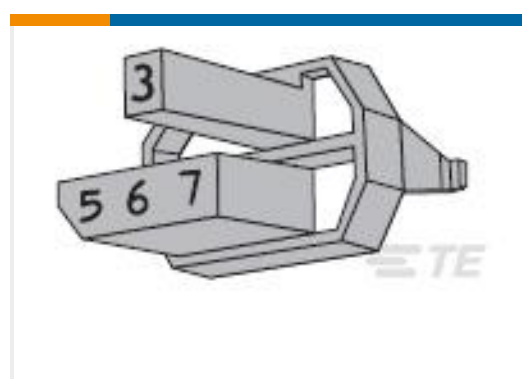
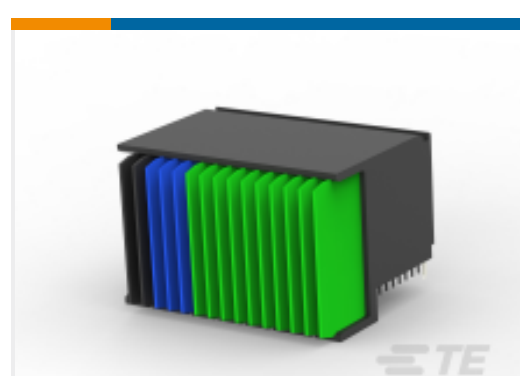


Pluggable I/O Cable Assemblies(81)



QSFP, QSFP+ & zQSFP+(425)

Customers Also Bought

TE Part #1-2199119-5
M.2 0.5PITCH 3.2H KEY M 15U" AUTE Part #1-1469492-8
MULTIGIG RT 9MM GUIDE/ESD 315 DEGTE Part #1410975-3
MULTIGIG RT2 7RW DC RTM CTTE Part #1-1469492-9
MULTIGIG RT 9MM GUIDE/ESD UNKETE Part #2-100526-0
Z-PACK F.CODING KEYTE Part #6339167-2
ASSY,SHLD,1X4,MJ,WAVE PNLTE Part #1825008-2
DRD10RAE04=Rot Dip,R/ATE Part #1410189-4
MULTIGIG RT T2 7RW H-LFT,ET2TE Part #1410187-4
MULTIGIG RT T2 7RW DC DF CTTE Part #1410968-4
MULTIGIG RT2 7RW RTM DC DF CT

Documents

CAD Files

3D PDF

3D

Customer View Model

[ENG_CVM_CVM_2308171-9_A1.2d_dxf.zip](#)

English

Customer View Model

[ENG_CVM_CVM_2308171-9_A1.3d_igs.zip](#)



English

Customer View Model

[ENG_CVM_CVM_2308171-9_A1.3d_stp.zip](#)

English

By downloading the CAD file I accept and agree to the [Terms and Conditions](#) of use.

Product Specifications

[Application Specification](#)

English