



Connectors > Socket Connectors > IC & Component Socket Accessories > IC Socket Hardware > LGA 3647 Socket Hardware



Compatible With IC Socket Type: **LGA 3647**

Card & Socket Accessory Type: **Backplate**

Operating Temperature Range: **-25 – 100 °C [-13 – 212 °F]**

[All LGA 3647 Socket Hardware \(6\)](#)

Features

Product Type Features

Card & Socket Accessory Type	Backplate
------------------------------	-----------

Body Features

Backplate Material	Steel
Insulator Material	Polycarbonate Film Plus Acrylic Adhesive Layer
Primary Product Plating Material	Nickel

Contact Features

Compatible With IC Socket Type	LGA 3647
--------------------------------	----------

Usage Conditions

Operating Temperature Range	-25 – 100 °C[-13 – 212 °F]
-----------------------------	----------------------------

Packaging Features

Packaging Method	Box & Tray
------------------	------------

Other

Connector Accessory Comment	Backplate Assembly
-----------------------------	--------------------

Product Compliance

[For compliance documentation, visit the product page on TE.com>](#)

EU RoHS Directive 2011/65/EU	Compliant
EU ELV Directive 2000/53/EC	Compliant



China RoHS 2 Directive MIIT Order No 32, 2016	No Restricted Materials Above Threshold
EU REACH Regulation (EC) No. 1907/2006	Current ECHA Candidate List: JUNE 2023 (235) Candidate List Declared Against: JUNE 2022 (224) Does not contain REACH SVHC
Halogen Content	Low Halogen - Br, Cl, F, I < 900 ppm per homogenous material. Also BFR/CFR/PVC Free
Solder Process Capability	Not applicable for solder process capability

Product Compliance Disclaimer

This information is provided based on reasonable inquiry of our suppliers and represents our current actual knowledge based on the information they provided. This information is subject to change. The part numbers that TE has identified as EU RoHS compliant have a maximum concentration of 0.1% by weight in homogenous materials for lead, hexavalent chromium, mercury, PBB, PBDE, DBP, BBP, DEHP, DIBP, and 0.01% for cadmium, or qualify for an exemption to these limits as defined in the Annexes of Directive 2011/65/EU (RoHS2). Finished electrical and electronic equipment products will be CE marked as required by Directive 2011/65/EU. Components may not be CE marked. Additionally, the part numbers that TE has identified as EU ELV compliant have a maximum concentration of 0.1% by weight in homogenous materials for lead, hexavalent chromium, and mercury, and 0.01% for cadmium, or qualify for an exemption to these limits as defined in the Annexes of Directive 2000/53/EC (ELV). Regarding the REACH Regulation, the information TE provides on SVHC in articles for this part number is based on the latest European Chemicals Agency (ECHA) 'Guidance on requirements for substances in articles' posted at this URL: <https://echa.europa.eu/guidance-documents/guidance-on-reach>

Compatible Parts



TE Part # CAT-L59017-A76
LGA 3647 Sockets

TE Part # 2-2822549-5
LGA3647-0 SOCKET-P0 KIT (30U AU PLATING)



TE Part # 2821722-2
IFP/LEC CBL ASSY 1 PORT TYPE B STR INV



TE Part # 2821722-3
IFP/LEC CBL ASSY 1 PORT TYPE B STR INV



TE Part # 2821722-4
IFP/LEC CBL ASSY 1 PORT TYPE B STR INV

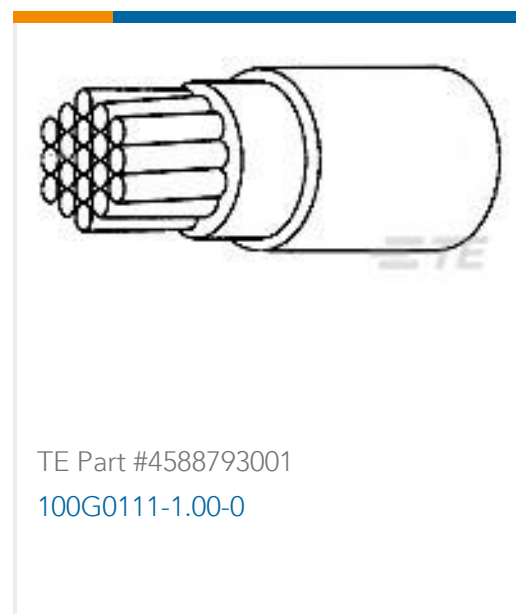
Customers Also Bought



TE Part #41729-2
250 FASTON REC 18-16 AWG TPBR



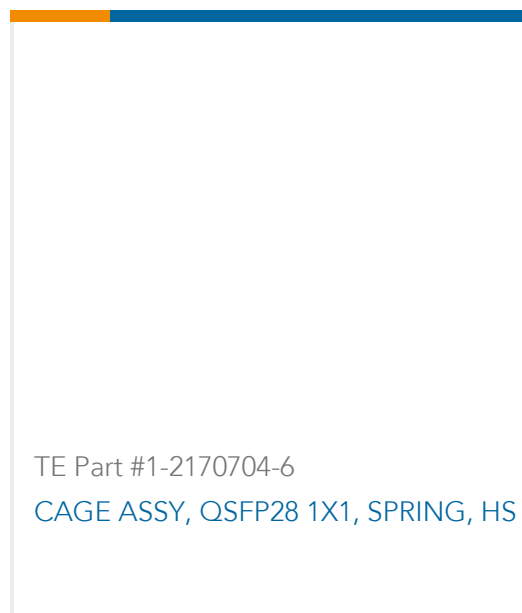
TE Part #1-2324271-3
RIGHT SEGMENT LGA4189-4
SOCKETP4 FOR ODM



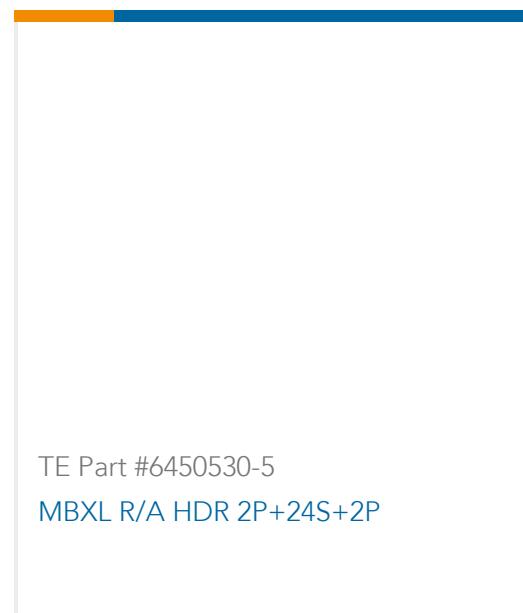
TE Part #4588793001
100G0111-1.00-0



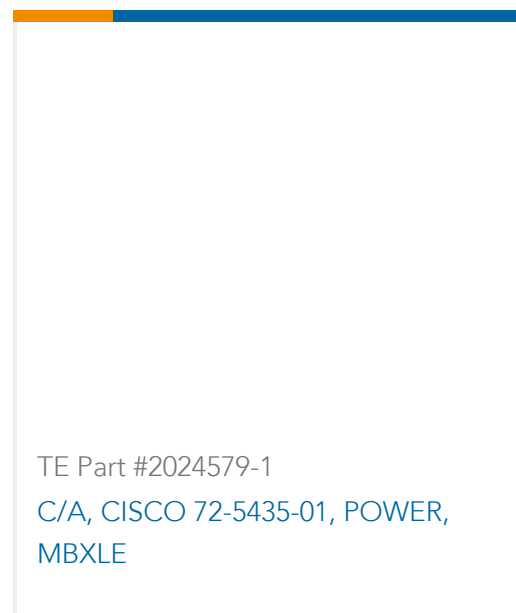
TE Part #5070092027
RNF-100-3/4-X-STK



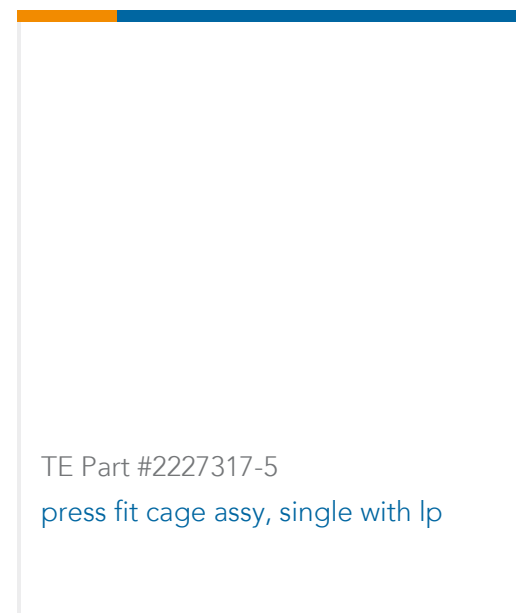
TE Part #1-2170704-6
CAGE ASSY, QSFP28 1X1, SPRING, HS



TE Part #6450530-5
MBXL R/A HDR 2P+24S+2P



TE Part #2024579-1
C/A, CISCO 72-5435-01, POWER,
MBXLE



TE Part #2227317-5
press fit cage assy, single with lp



TE Part #2304369-1
SFP+ 1X1 CAGE ASSY, PF, WITH
HEATSINK



TE Part #2337910-1
C/A, SLIVER 74P, RA TO RA, 100OHM

Documents

Product Drawings

[NRW BACK PLATE ASSY, SOCKET P0, STUD 7.74MM](#)

English

CAD Files

[3D PDF](#)

3D

Customer View Model

[ENG_CVM_CVM_2299805-3_A.2d_dxf.zip](#)

English

Customer View Model

[ENG_CVM_CVM_2299805-3_A.3d_igs.zip](#)

English

Customer View Model

[ENG_CVM_CVM_2299805-3_A.3d_stp.zip](#)

English

By downloading the CAD file I accept and agree to the [Terms and Conditions](#) of use.

Datasheets & Catalog Pages



[LGA 3647 Socket Product Flyer](#)

English

[Product Specifications](#)

[Application Specification](#)

English

[Product Environmental Compliance](#)

[MD_2299805-3_05112017056_dmtec](#)

English

[MD_2299805-3_05112017056_dmtec](#)

English