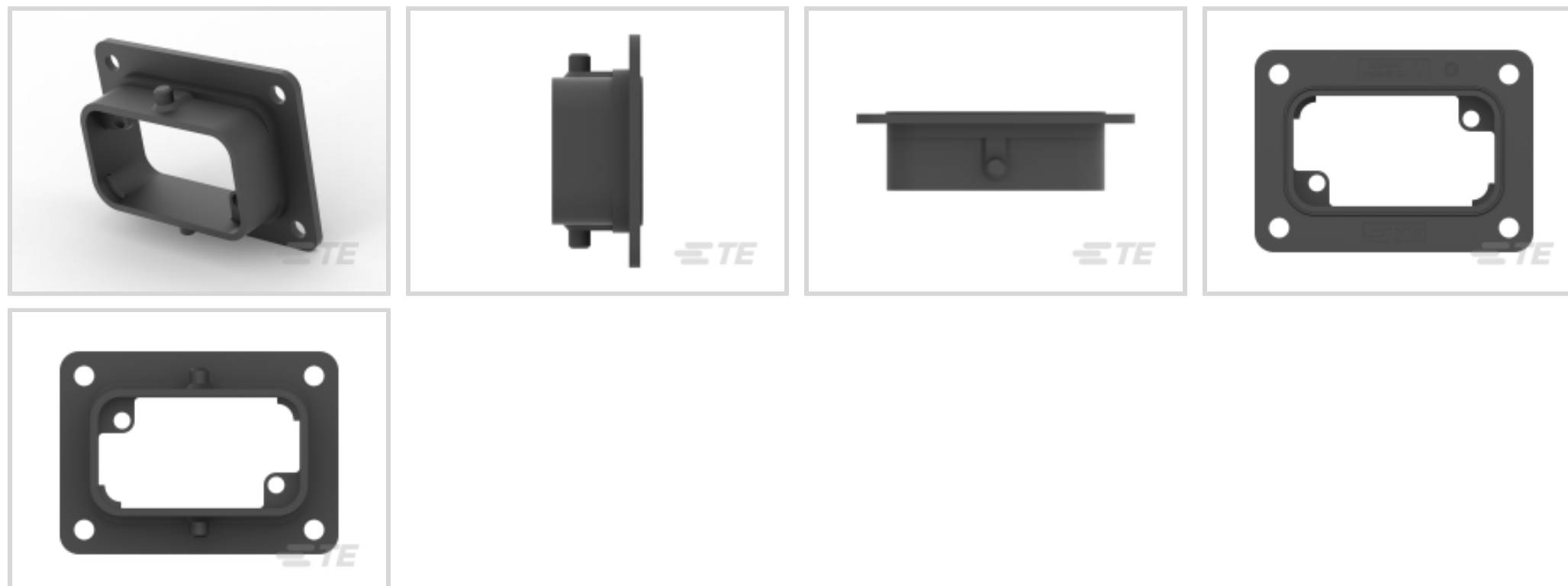




Connectors > Connector Accessories > Connector Caps & Covers



Connector Cover Type: **Panel Mount Shroud**

Primary Product Color: **Black**

Primary Product Material: **PA66**

Operating Temperature (Max): **85 °C [ 185 °F ]**

Operating Temperature Range: **-20 – 85 °C [ -4 – 185 °F ]**

## Features

### Product Type Features

Connector Cover Type	Panel Mount Shroud
----------------------	--------------------

### Body Features

Primary Product Color	Black
Primary Product Material	PA66

### Housing Features

Compatible With Connector Shape	Rectangular
---------------------------------	-------------

### Dimensions

Product Width	29.6 mm
Product Length	45.6 mm
Product Height	14 mm

### Usage Conditions

Compatible With Connector Style	Plug
Operating Temperature (Max)	85 °C[185 °F]
Operating Temperature Range	-20 – 85 °C[-4 – 185 °F]

### Operation/Application



Compatible With Connector Shell Size	48
--------------------------------------	----

**Packaging Features**

Packaging Quantity	10
Packaging Method	Bag/Box

**Product Compliance**

[For compliance documentation, visit the product page on TE.com>](#)

EU RoHS Directive 2011/65/EU	Compliant
EU ELV Directive 2000/53/EC	Compliant
China RoHS 2 Directive MIIT Order No 32, 2016	No Restricted Materials Above Threshold
EU REACH Regulation (EC) No. 1907/2006	Current ECHA Candidate List: JUNE 2023 (235) Candidate List Declared Against: JUNE 2022 (224) Does not contain REACH SVHC
Halogen Content	Not Yet Reviewed for halogen content
Solder Process Capability	Not reviewed for solder process capability

**Product Compliance Disclaimer**

This information is provided based on reasonable inquiry of our suppliers and represents our current actual knowledge based on the information they provided. This information is subject to change. The part numbers that TE has identified as EU RoHS compliant have a maximum concentration of 0.1% by weight in homogenous materials for lead, hexavalent chromium, mercury, PBB, PBDE, DBP, BBP, DEHP, DIBP, and 0.01% for cadmium, or qualify for an exemption to these limits as defined in the Annexes of Directive 2011/65/EU (RoHS2). Finished electrical and electronic equipment products will be CE marked as required by Directive 2011/65/EU. Components may not be CE marked. Additionally, the part numbers that TE has identified as EU ELV compliant have a maximum concentration of 0.1% by weight in homogenous materials for lead, hexavalent chromium, and mercury, and 0.01% for cadmium, or qualify for an exemption to these limits as defined in the Annexes of Directive 2000/53/EC (ELV). Regarding the REACH Regulation, the information TE provides on SVHC in articles for this part number is based on the latest European Chemicals Agency (ECHA) 'Guidance on requirements for substances in articles' posted at this URL: <https://echa.europa.eu/guidance-documents/guidance-on-reach>

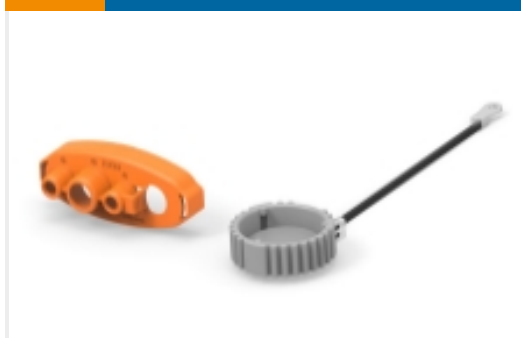
**Compatible Parts**



### Also in the Series | MotorMan



Circular Connector Contact Inserts(2)



Connector Caps & Covers(3)



Connector Seals & Cavity Plugs(2)



Connector Strain Relief(2)



Rectangular Connector Hardware(2)



Rectangular Connector Hoods & Bases (4)



Rectangular Connector Locking(2)



Rectangular Contact Inserts(5)



Rectangular Power Connectors(2)

### Customers Also Bought



TE Part #206070-8  
CABLE CLAMP KIT #17



TE Part #DT04-2P  
REC, 2P, GRY, N



TE Part #DT06-2S  
PLG, 2P, GRY, N



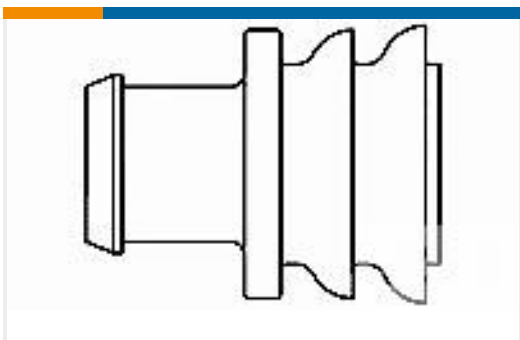
TE Part #W2S  
Wedgelocks: DEUTSCH DT



TE Part #0462-201-16141  
DEUTSCH Solid Contacts



TE Part #282104-1  
AMP SUPERSEAL 1.5MM,  
CONNECTOR HOUSING



TE Part #281934-2  
SINGLE WIRE SEAL



## Documents

### Product Drawings

#### SHROUD PLASTIC

English

---

### CAD Files

#### 3D PDF

3D

#### Customer View Model

[ENG\\_CVM\\_CVM\\_2295892-1\\_A.2d\\_dxf.zip](#)

English

#### Customer View Model

[ENG\\_CVM\\_CVM\\_2295892-1\\_A.3d\\_igs.zip](#)

English

#### Customer View Model

[ENG\\_CVM\\_CVM\\_2295892-1\\_A.3d\\_stp.zip](#)

English

By downloading the CAD file I accept and agree to the [Terms and Conditions](#) of use.

---

### Product Specifications

#### Product Specification

English