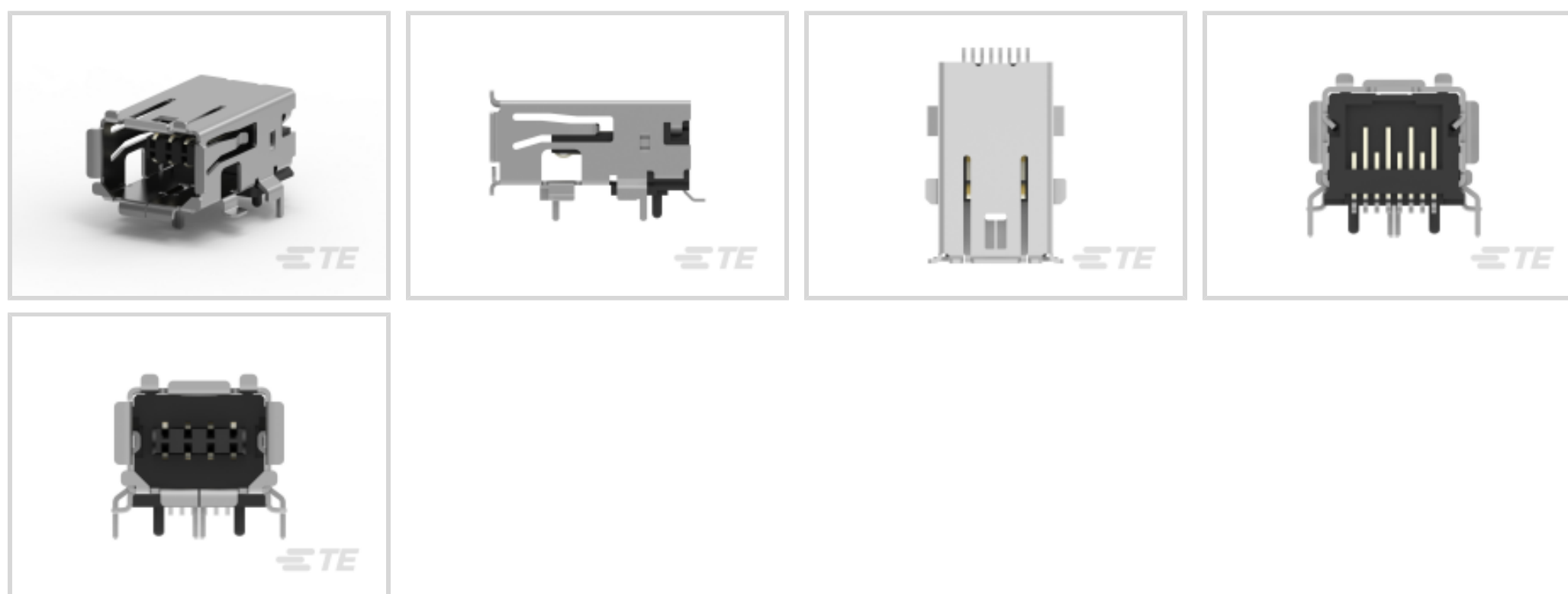




TE Internal #: 2294415-2  
 Industrial Mini I/O Connectors, Industrial Mini I/O, High Connector  
 Contact Density, Jack, Shielded, Cat 6A, Cable-to-Board, Right  
 Angle, Side Entry

[View on TE.com >](#)

Connectors > Modular Jacks & Plugs > Industrial Mini I/O Connectors > Mini I/O R/A Header Type 2



Modular Jacks & Plugs Products: **Industrial Mini I/O**

Connector Contact Density: **High**

Modular Connector Style: **Jack**

Shielded: **Yes**

Performance Category: **Cat 6A**

[All Mini I/O R/A Header Type 2 \(3\)](#)

## Features

### Product Type Features

Connector Product Type	Connector Assembly
Modular Jacks & Plugs Products	Industrial Mini I/O
Modular Connector Style	Jack
Connector System	Cable-to-Board
Connector & Contact Terminates To	Printed Circuit Board

### Configuration Features

Port Matrix Configuration	1 x 1
Connector Contact Density	High
Number of Positions	8
PCB Mount Orientation	Right Angle
Number of Loaded Positions	8

### Signal Characteristics

Data Rate	10 Mb/s, 100 Mb/s, 1000 Mb/s, 10000 Mb/s
-----------	--



### Body Features

Shield Material	Stainless Steel
Shield Plating Material	Tin over Nickel

### Contact Features

Contact Mating Area Plating Material	Gold
Contact Underplating Material	Nickel
Contact Base Material	Copper Alloy
Contact Current Rating (Max)	1.5 A

### Termination Features

Termination Method to Printed Circuit Board	Surface Mount
---	---------------

### Mechanical Attachment

Mating Alignment Type	Keyed
Mating Alignment	With
Panel Mount Feature	Without
PCB Mount Retention Type	SMT + Through Hole
Connector Mounting Type	Board Mount

### Housing Features

Housing Color	Black
Mating Entry Location	Side
Housing Material	LCP
Centerline (Pitch)	1.27 mm[.05 in]

### Usage Conditions

Operating Temperature Range	-40 – 85 °C[-40 – 185 °F]
-----------------------------	---------------------------

### Operation/Application

Shielded	Yes
Circuit Application	Power & Signal

### Industry Standards

UL Flammability Rating	UL 94V-0
Performance Category	Cat 6A

### Packaging Features

Packaging Method	Box & Tray, Tray
------------------	------------------



Other

Modular Jacks & Plugs Comment	Type 2
Field Serviceable	No

Product Compliance

[For compliance documentation, visit the product page on TE.com>](#)

EU RoHS Directive 2011/65/EU	Compliant
EU ELV Directive 2000/53/EC	Compliant
China RoHS 2 Directive MIIT Order No 32, 2016	No Restricted Materials Above Threshold
EU REACH Regulation (EC) No. 1907/2006	Current ECHA Candidate List: JUNE 2023 (235) Candidate List Declared Against: JUNE 2023 (235) Does not contain REACH SVHC
Halogen Content	Low Halogen - Br, Cl, F, I < 900 ppm per homogenous material. Also BFR/CFR/PVC Free
Solder Process Capability	Reflow solder capable to 260°C

Product Compliance Disclaimer

This information is provided based on reasonable inquiry of our suppliers and represents our current actual knowledge based on the information they provided. This information is subject to change. The part numbers that TE has identified as EU RoHS compliant have a maximum concentration of 0.1% by weight in homogenous materials for lead, hexavalent chromium, mercury, PBB, PBDE, DBP, BBP, DEHP, DIBP, and 0.01% for cadmium, or qualify for an exemption to these limits as defined in the Annexes of Directive 2011/65/EU (RoHS2). Finished electrical and electronic equipment products will be CE marked as required by Directive 2011/65/EU. Components may not be CE marked. Additionally, the part numbers that TE has identified as EU ELV compliant have a maximum concentration of 0.1% by weight in homogenous materials for lead, hexavalent chromium, and mercury, and 0.01% for cadmium, or qualify for an exemption to these limits as defined in the Annexes of Directive 2000/53/EC (ELV). Regarding the REACH Regulation, the information TE provides on SVHC in articles for this part number is based on the latest European Chemicals Agency (ECHA) 'Guidance on requirements for substances in articles' posted at this URL: <https://echa.europa.eu/guidance-documents/guidance-on-reach>

Compatible Parts

 <p>TE Part # 2201855-2 MINI I/O PLUG KIT TYPE I M</p>	 <p>TE Part # 2350278-2 MINI IO CONN Cat5e FI 2x2 AWG22 T II</p>	 <p>TE Part # 2350323-2 MINI IO CONN Cat5e FI 2x2 AWG22 T II</p>	 <p>TE Part # 2201864-1 MINI I/O REC KIT TYPE I L</p>
---	---	---	--




TE Part # 1-2201855-2  
MINI I/O PLUG KIT TYPE II M



TE Part # 1-2350278-2  
MINI IO CONN Cat5e FI 2x2 AWG22 T II



TE Part # 1-2350304-2  
MINI IO CONN Cat5e FI 2x2 AWG24 /26 T II



TE Part # 1-2350310-2  
MINI IO CONN Cat6A FI 4x2 AWG24 /26 T II



TE Part # 1-2350323-2  
MINI IO CONN Cat5e FI 2x2 AWG22 T II



TE Part # 2350304-2  
MINI IO CONN Cat5e FI 2x2 AWG24 /26 T II



TE Part # 2350310-2  
MINI IO CONN Cat6A FI 4x2 AWG24 /26 T II



TE Part # 2229737-2  
MINI I/O PIERCING TYPE HAND TOOL

TE Part # 1891771-2  
DIES KIT SHELL

### Customers Also Bought



TE Part #3-2176055-7  
RLP73K 2B R33 1% 1K RL



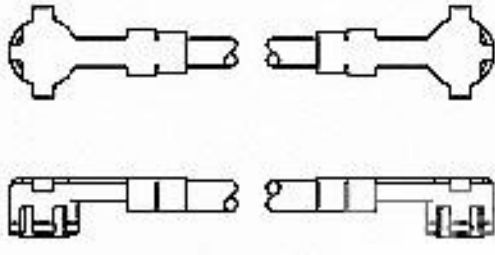
TE Part #7-1879021-7  
SMW3 150R 5%



TE Part #1565994-3  
RITS HDR ASSY R/A SMT TYPE 3P WITH BOSS



TE Part #1565994-4  
RITS HDR ASSY R/A SMT TYPE 4P WITH BOSS



TE Part #1064524-1  
9960 1100 24



TE Part #1-353908-2  
CT REC HSG 12P CRIMP TYPE WHIT



TE Part #1055688-1  
2367 5001 54, VERT PLUG



TE Part #1-2213504-1  
ASSEMBLY, 2 POSITION, BLACK, WITH POS

### Documents



### Product Drawings

#### INDUSTRIAL MINI I/O HDR TYPE II TRAY

English

---

### CAD Files

#### 3D PDF

3D

#### Customer View Model

[ENG\\_CVM\\_CVM\\_2294415-2\\_C.2d\\_dxf.zip](#)

English

#### Customer View Model

[ENG\\_CVM\\_CVM\\_2294415-2\\_C.3d\\_igs.zip](#)

English

#### Customer View Model

[ENG\\_CVM\\_CVM\\_2294415-2\\_C.3d\\_stp.zip](#)

English

By downloading the CAD file I accept and agree to the [Terms and Conditions](#) of use.

---

### Product Specifications

#### Application Specification

English

---

### Product Environmental Compliance

#### Product Compliance

English

#### Product Compliance

English