



Application Tooling > Insertion & Extraction Tools



Insertion & Extraction Tool Application: **Contact-to-Wire**

Features

Product Type Features

Insertion & Extraction Tool Application	Contact-to-Wire
---	-----------------

Product Compliance

[For compliance documentation, visit the product page on TE.com>](#)

EU RoHS Directive 2011/65/EU	Compliant
EU ELV Directive 2000/53/EC	Out of Scope
China RoHS 2 Directive MIIT Order No 32, 2016	No Restricted Materials Above Threshold
EU REACH Regulation (EC) No. 1907/2006	Current ECHA Candidate List: JUNE 2023 (235) Candidate List Declared Against: JUN 2020 (209) Does not contain REACH SVHC
Halogen Content	Low Halogen - Br, Cl, F, I < 900 ppm per homogenous material. Also BFR/CFR/PVC Free
Solder Process Capability	Not applicable for solder process capability

Product Compliance Disclaimer

This information is provided based on reasonable inquiry of our suppliers and represents our current actual knowledge based on the information they provided. This information is subject to change. The part numbers that TE has identified as EU RoHS compliant have a maximum concentration of 0.1% by weight in homogenous materials for lead, hexavalent chromium, mercury, PBB, PBDE, DBP, BBP, DEHP, DIBP, and 0.01% for cadmium, or qualify for an exemption to these limits as defined in the Annexes of Directive 2011/65/EU (RoHS2). Finished electrical and electronic equipment products will be CE marked as required by Directive 2011/65/EU. Components may not be CE marked. Additionally, the part numbers that TE has identified as EU ELV compliant have a maximum concentration of 0.1% by weight in homogenous materials for lead, hexavalent chromium, and mercury, and 0.01% for cadmium, or qualify for an exemption to these limits as defined in the Annexes of Directive 2000/53/EC (ELV). Regarding the REACH Regulation, the information TE provides on SVHC in articles for this part number is based on the latest European Chemicals Agency (ECHA) 'Guidance on requirements for substances in articles' posted at this URL: <https://echa.europa.eu/guidance-documents/guidance-on-reach>

Compatible Parts



TE Part # CAT-357-D601
IDC D-Sub: Receptacle Assembly, Signal, 2.16 mm



TE Part # CAT-357-D658
IDC D-Sub: Plug Assembly, Signal, Cable to Cable, 2.16 mm



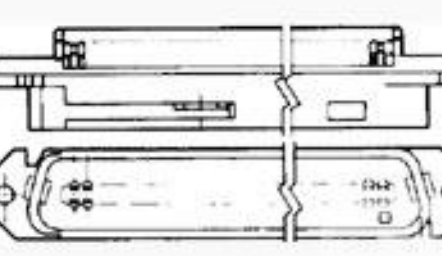
TE Part # CAT-357-D65015
IDC D-Sub: Connector Kit, Plug, Signal, 2.16 mm




TE Part # 229913-1
KIT, RCPT, 50 POS, B SLOT



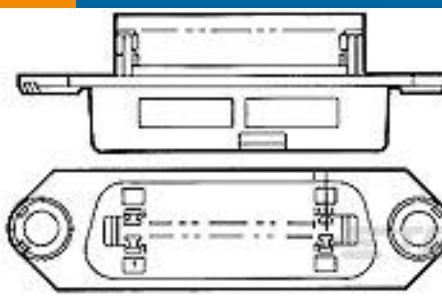
TE Part # CAT-357-D650155
IDC D-Sub: Receptacle Kit, Signal, 50, 2.16 mm



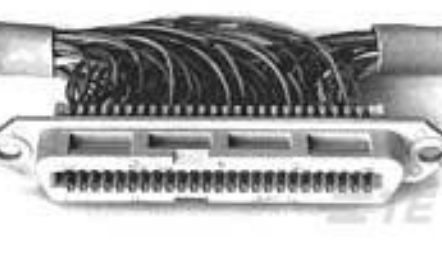
TE Part # 552488-1
ASSY, PLUG, 64 POS, E SLOT



TE Part # 58382-1
TOOL, DISENGAGEMENT



TE Part # 2-552324-1
ASSY, RCPT, 50 POS, C SLOT



TE Part # 552827-1
RCPT ASSY 50 POS, MULTI-WIRE



TE Part # 554951-2
PLUG KIT, 36 POSN, SCR LK, SHLD

Customers Also Bought



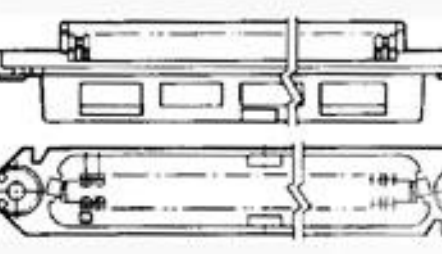
TE Part # 552274-1
ASSY, PLUG, 36 POS, B SLOT



TE Part # 165046
PIDG WIRE PIN



TE Part # 1658611-3
15 POS HDF PLUG, AP



TE Part # 552314-1
ASSY, RCPT, 36 POS, B SLOT



TE Part # 2-1393243-1
RTE25024



TE Part # 3-552414-1
90 DEG COVER KIT 36 POS BLK



TE Part # 8-1393224-9
RY533024



TE Part # 3-5229912-1
KIT, PLUG, 50 POS, B SLOT



Documents

Product Drawings

[TOOL, INSERTION, HAND, T-GRIP](#)

English

Instruction Sheets

[Instruction Sheet \(U.S.\)](#)

English

[CHAMP T-Handle Wire Insertion Tool for CHAMP Connectors](#)

English