

2291634-1 ✓ ACTIVE

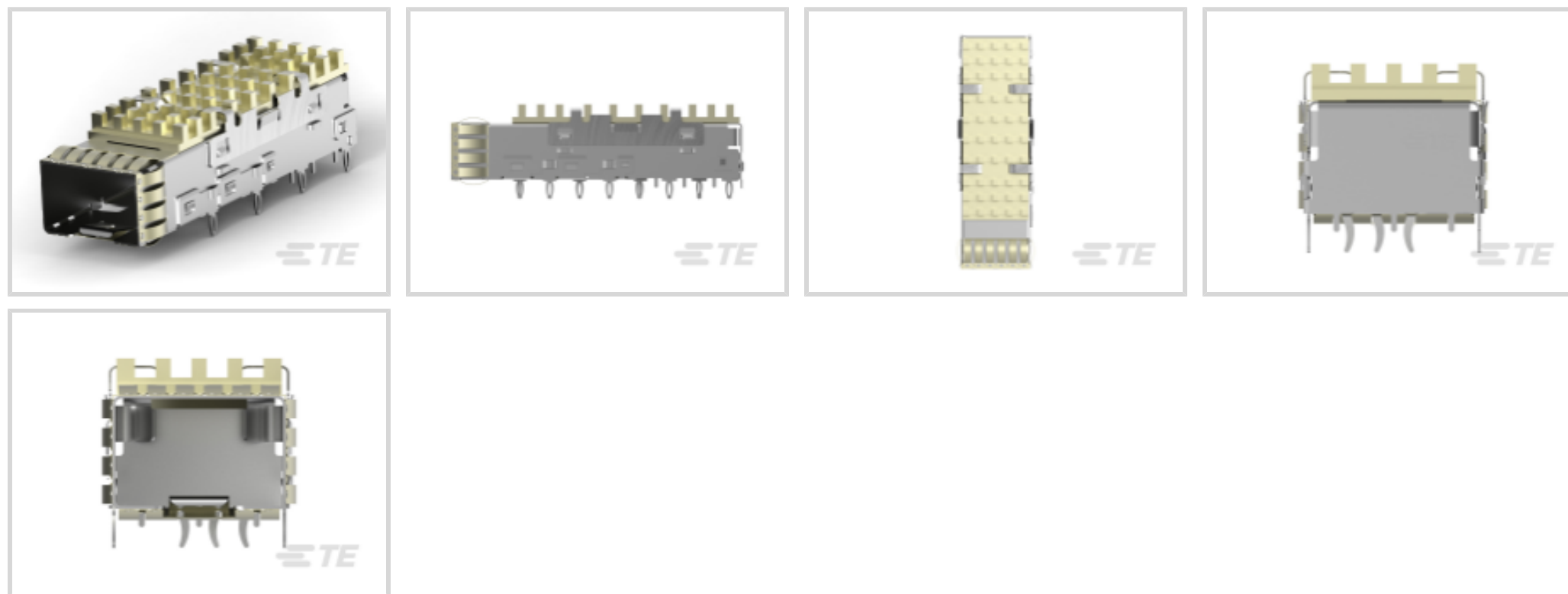
TE Internal #: 2291634-1

SFP, SFP+ & zSFP+, Cage Assembly, Data Rate (Max) 16 Gb/s,
Internal/External EMI Springs, SFP+, Not Optional, 1 x 1, Through
Hole - Press-Fit, 1 Port

[View on TE.com >](#)



Connectors > Pluggable IO Connectors & Cages > SFP, SFP+ & zSFP+



Pluggable I/O Product Type: **Cage Assembly**

Data Rate (Max): **16 Gb/s**

EMI Containment Feature Type: **Internal/External EMI Springs**

Pluggable I/O Applications: **SFP+**

Lightpipe Options: **Not Optional**

Features

Product Type Features

Form Factor	SFP+
Cage Type	Single
Thermal Accessory Type Included	Heat Sink
Pluggable I/O Product Type	Cage Assembly
Lightpipe Options	Not Optional
Connector System	Cable-to-Board
Connector & Contact Terminates To	Printed Circuit Board

Configuration Features

Port Matrix Configuration	1 x 1
Number of Ports	1

Electrical Characteristics

Data Rate (Max)	16 Gb/s
-----------------	---------

Body Features

Heat Sink Finish	Electroless Nickel
------------------	--------------------



Heat Sink Height Class	PCI
------------------------	-----

Heat Sink Height	13.5 mm[.531 in]
------------------	------------------

Heat Sink Style	Pin
-----------------	-----

Termination Features

Termination Post & Tail Length	3 mm
--------------------------------	------

Termination Method to Printed Circuit Board	Through Hole - Press-Fit
---	--------------------------

Mechanical Attachment

Connector Mounting Type	Board Mount
-------------------------	-------------

Housing Features

Cage Material	Nickel Silver Alloy
---------------	---------------------

Dimensions

PCB Thickness (Recommended)	1.5 mm
-----------------------------	--------

Usage Conditions

Operating Temperature Range	-55 – 105 °C[-67 – 221 °F]
-----------------------------	----------------------------

Operation/Application

Heat Sink Compatible	Yes
----------------------	-----

For Use With Pluggable I/O Products	SFP+ SMT Connector
-------------------------------------	--------------------

Pluggable I/O Applications	SFP+
----------------------------	------

Circuit Application	Signal
---------------------	--------

Other

EMI Containment Feature Type	Internal/External EMI Springs
------------------------------	-------------------------------

Product Compliance

[For compliance documentation, visit the product page on TE.com>](#)

EU RoHS Directive 2011/65/EU	Compliant
------------------------------	-----------

EU ELV Directive 2000/53/EC	Compliant
-----------------------------	-----------

China RoHS 2 Directive MIIT Order No 32, 2016	No Restricted Materials Above Threshold
---	---

EU REACH Regulation (EC) No. 1907/2006	Current ECHA Candidate List: JUNE 2023 (235) Candidate List Declared Against: JUNE 2023 (235) Does not contain REACH SVHC
--	---

Halogen Content	Low Halogen - Br, Cl, F, I < 900 ppm per homogenous material. Also BFR/CFR/PVC
-----------------	--



Free

Solder Process Capability

Not applicable for solder process capability

Product Compliance Disclaimer

This information is provided based on reasonable inquiry of our suppliers and represents our current actual knowledge based on the information they provided. This information is subject to change. The part numbers that TE has identified as EU RoHS compliant have a maximum concentration of 0.1% by weight in homogenous materials for lead, hexavalent chromium, mercury, PBB, PBDE, DBP, BBP, DEHP, DIBP, and 0.01% for cadmium, or qualify for an exemption to these limits as defined in the Annexes of Directive 2011/65/EU (RoHS2). Finished electrical and electronic equipment products will be CE marked as required by Directive 2011/65/EU. Components may not be CE marked. Additionally, the part numbers that TE has identified as EU ELV compliant have a maximum concentration of 0.1% by weight in homogenous materials for lead, hexavalent chromium, and mercury, and 0.01% for cadmium, or qualify for an exemption to these limits as defined in the Annexes of Directive 2000/53/EC (ELV). Regarding the REACH Regulation, the information TE provides on SVHC in articles for this part number is based on the latest European Chemicals Agency (ECHA) 'Guidance on requirements for substances in articles' posted at this URL: https://echa.europa.eu/guidance-documents/guidance-on-reach

Compatible Parts



TE Part # CAT-C11-N490333
QSFP28-Four SFP+ Cable Assembly:
30 AWG



TE Part # CAT-C11-N490325
QSFP28-Four SFP+ Cable Assembly:
26 AWG



TE Part # CAT-C11-N4901114
SFP28 to SFP28 Cable Assembly: 30
AWG



TE Part # CAT-C11-N49011
SFP28 to SFP28 Cable Assembly: 26
AWG



TE Part # CAT-Q17-N49011
QSFP56-Four SFP56 Cable Assembly:
30 AWG



TE Part # CAT-Q17-N490333
QSFP56-Four SFP56 Cable Assembly:
26 AWG



TE Part # 4-2821222-5
SFP56 DIRECT ATTACH CA, 2M,
30AWG



TE Part # 4-2821224-5
SFP56 DIRECT ATTACH CA, 3M,
26AWG



TE Part # 4-2334985-2
SFP56 DIRECT ATTACH CA, 1M,
32AWG



TE Part # 2334985-2
SFP28 DIRECT ATTACH CA, 1M,
32AWG

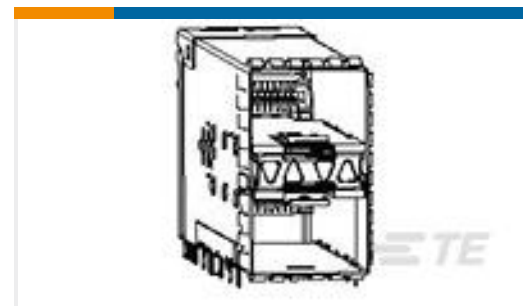


TE Part # 2215087-3
KIT, SEATING TOOL, 1X1 SFP+

Customers Also Bought



TE Part #1888247-2
20 POS SMT CONN, SFP/SFP+, 15A



TE Part #2198318-6
zSFP+ STACKED 2X1 RECEPTACLE ASSEMBLY



TE Part #1-1469492-7
MULTIGIG RT 9MM GUIDE/ESD 270 DEG



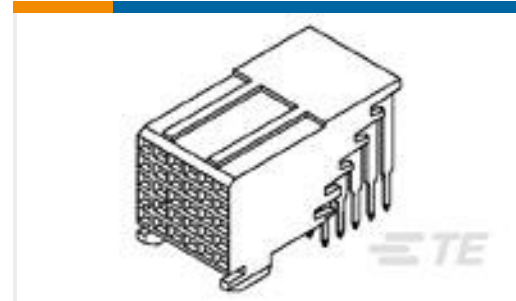
TE Part #1-1469491-2
MULTIGIG RT GUIDEPIN, 9MM 2.60 DEG



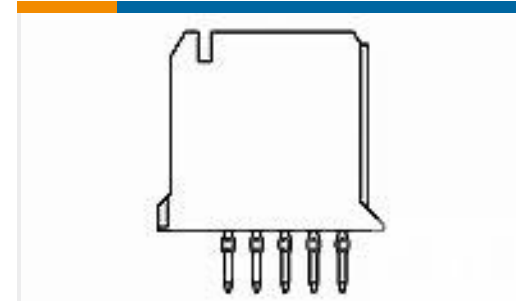
TE Part #2291634-3
SFP+ 1X1 CAGE ASSY, PF, WITH HEATSINK



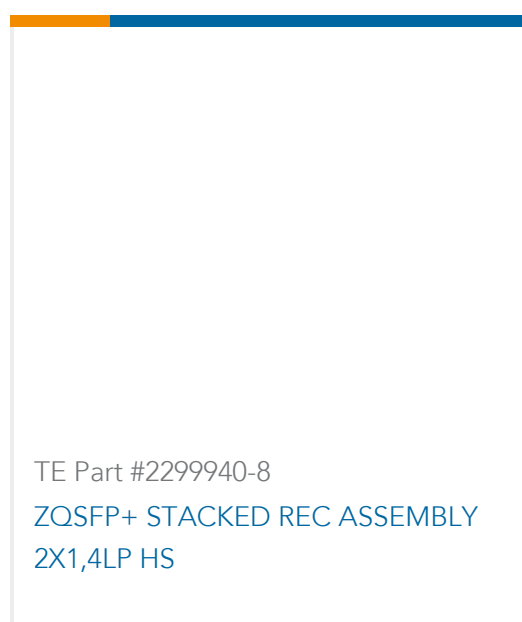
TE Part #1367147-3
SFP COVER, UNPL, NO LOGO



TE Part #5223008-1
FB-5R, ASY, 030, SIG, REC, EN, 3.55



TE Part #5223652-1
2MM FB, 5RV, REC, ASY, 030, PF, 4.25



TE Part #2299940-8
ZQSFP+ STACKED REC ASSEMBLY 2X1, 4LP HS

Documents

CAD Files

3D PDF

3D

Customer View Model

[ENG_CVM_CVM_2291634-1_A.2d_dxf.zip](#)

English

Customer View Model

[ENG_CVM_CVM_2291634-1_A.3d_igs.zip](#)

English

Customer View Model

[ENG_CVM_CVM_2291634-1_A.3d_stp.zip](#)

English

By downloading the CAD file I accept and agree to the [Terms and Conditions](#) of use.

Product Specifications

Application Specification

English

Product Environmental Compliance



Product Compliance

English

Product Compliance

English