

2291579-1 ✓ ACTIVE

TE Internal #: 2291579-1

SFP, SFP+ & zSFP+, Cage Assembly, Data Rate (Max) 32 Gb/s,
Internal/External EMI Springs, zSFP+ Thermally Enhanced, Not
Optional, 1 x 1

[View on TE.com >](#)



Connectors > Pluggable IO Connectors & Cages > SFP, SFP+ & zSFP+ > zSFP+ Cage Assembly: EMI Springs



Pluggable I/O Product Type: **Cage Assembly**

Data Rate (Max): **32 Gb/s**

EMI Containment Feature Type: **Internal/External EMI Springs**

Pluggable I/O Applications: **zSFP+ Thermally Enhanced**

Lightpipe Options: **Not Optional**

[All zSFP+ Cage Assembly: EMI Springs \(25\)](#)

Features

Product Type Features

Form Factor	zSFP+
Cage Type	Single
Pluggable I/O Product Type	Cage Assembly
Lightpipe Options	Not Optional
Connector System	Cable-to-Board
Sealable	No
Connector & Contact Terminates To	Printed Circuit Board

Configuration Features

Port Matrix Configuration	1 x 1
Number of Ports	1

Electrical Characteristics

Data Rate (Max)	32 Gb/s
-----------------	---------

Termination Features

Termination Post & Tail Length	3 mm[.118 in]
Termination Method to Printed Circuit Board	Through Hole - Press-Fit

Mechanical Attachment



Connector Mounting Type	Board Mount
-------------------------	-------------

Housing Features

Cage Material	Nickel Silver Alloy
---------------	---------------------

Dimensions

PCB Thickness (Recommended)	1.5 mm[.059 in]
-----------------------------	-----------------

Usage Conditions

Operating Temperature Range	-55 – 105 °C[-67 – 221 °F]
-----------------------------	----------------------------

Operation/Application

Heat Sink Compatible	No
For Use With Pluggable I/O Products	zSFP+ SMT Connector
Pluggable I/O Applications	zSFP+ Thermally Enhanced
Circuit Application	Signal

Packaging Features

Packaging Method	Tray
------------------	------

Other

EMI Containment Feature Type	Internal/External EMI Springs
------------------------------	-------------------------------

Product Compliance

[For compliance documentation, visit the product page on TE.com>](#)

EU RoHS Directive 2011/65/EU	Compliant
EU ELV Directive 2000/53/EC	Compliant
China RoHS 2 Directive MIIT Order No 32, 2016	No Restricted Materials Above Threshold
EU REACH Regulation (EC) No. 1907/2006	Current ECHA Candidate List: JUNE 2023 (235) Candidate List Declared Against: JUNE 2023 (235) Does not contain REACH SVHC
Halogen Content	Low Halogen - Br, Cl, F, I < 900 ppm per homogenous material. Also BFR/CFR/PVC Free
Solder Process Capability	Not applicable for solder process capability

Product Compliance Disclaimer

This information is provided based on reasonable inquiry of our suppliers and represents our current actual knowledge based on the information they provided. This information is subject to change. The part numbers that TE has identified as EU RoHS compliant have a maximum concentration of 0.1% by weight in homogenous materials for lead, hexavalent



chromium, mercury, PBB, PBDE, DBP, BBP, DEHP, DIBP, and 0.01% for cadmium, or qualify for an exemption to these limits as defined in the Annexes of Directive 2011/65/EU (RoHS2). Finished electrical and electronic equipment products will be CE marked as required by Directive 2011/65/EU. Components may not be CE marked. Additionally, the part numbers that TE has identified as EU ELV compliant have a maximum concentration of 0.1% by weight in homogenous materials for lead, hexavalent chromium, and mercury, and 0.01% for cadmium, or qualify for an exemption to these limits as defined in the Annexes of Directive 2000/53/EC (ELV). Regarding the REACH Regulation, the information TE provides on SVHC in articles for this part number is based on the latest European Chemicals Agency (ECHA) 'Guidance on requirements for substances in articles' posted at this URL: <https://echa.europa.eu/guidance-documents/guidance-on-reach>

Compatible Parts



TE Part # CAT-C11-N490333
QSFP28-Four SFP+ Cable Assembly: 30 AWG



TE Part # CAT-C11-N490325
QSFP28-Four SFP+ Cable Assembly: 26 AWG



TE Part # CAT-C11-N4901114
SFP28 to SFP28 Cable Assembly: 30 AWG



TE Part # CAT-C11-N49011
SFP28 to SFP28 Cable Assembly: 26 AWG



TE Part # CAT-Q17-N49011
QSFP56-Four SFP56 Cable Assembly: 30 AWG



TE Part # CAT-Q17-N490333
QSFP56-Four SFP56 Cable Assembly: 26 AWG



TE Part # 4-2821222-5
SFP56 DIRECT ATTACH CA, 2M, 30AWG



TE Part # 4-2821224-5
SFP56 DIRECT ATTACH CA, 3M, 26AWG



TE Part # 4-2334985-2
SFP56 DIRECT ATTACH CA, 1M, 32AWG



TE Part # 2334985-2
SFP28 DIRECT ATTACH CA, 1M, 32AWG

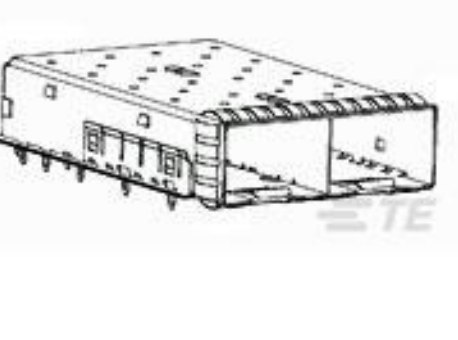


TE Part # CAT-C11-N490111
SFP28 to SFP28 Cable Assembly: 28 AWG



TE Part # 2215077-1
ASSY, SEATING TOOL zSFP+

Customers Also Bought



TE Part #2227728-1
zSFP+ 1x2 Cage Assy, Press-Fit



TE Part #6368150-3
MJ,TE,8P,CAT5,SHIELDED



TE Part #9-1879208-7
CPF 0402 100K 0.1% 25PPM 1K RL



TE Part #9-1614882-1
CPF 0603 10R 0.1% 25PPM 1K RL



Documents

Product Drawings

[ZSFP+ 1X1 CAGE ASSEMBLY,PCI, PRESS-FIT,](#)

English

CAD Files

[3D PDF](#)

3D

Customer View Model

[ENG_CVM_CVM_2291579-1_A.2d_dxf.zip](#)

English

Customer View Model

[ENG_CVM_CVM_2291579-1_A.3d_igs.zip](#)

English

Customer View Model

[ENG_CVM_CVM_2291579-1_A.3d_stp.zip](#)

English

By downloading the CAD file I accept and agree to the [Terms and Conditions](#) of use.

Datasheets & Catalog Pages

[zSFP+ Interconnect Brochure](#)

English

Product Specifications

[Application Specification](#)

English

Product Environmental Compliance

[MD_2291579-1_09182017848_dmtec](#)

English

[MD_2291579-1_09182017848_dmtec](#)

English