

2291283-1 ✓ ACTIVE

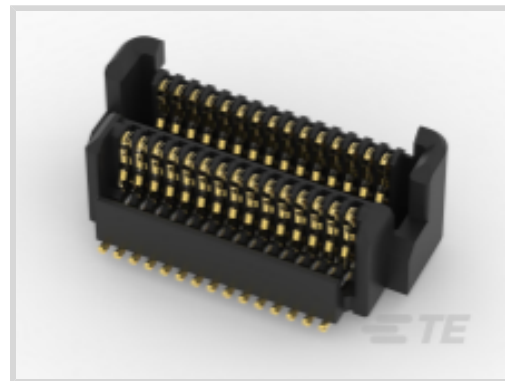
TE Internal #: 2291283-1

PCB Mount Hermaphroditic Connector, Vertical, Board-to-Board,
30 Position, .5 mm [.02 in] Centerline, Gold, Surface Mount, Signal,
Black

[View on TE.com >](#)



Connectors > PCB Connectors > PCB Headers & Receptacles



PCB Connector Assembly Type: **PCB Mount Hermaphroditic Connector**

PCB Mount Orientation: **Vertical**

Connector System: **Board-to-Board**

Number of Positions: **30**

Number of Rows: **2**

Features

Product Type Features

| | |
|-----------------------------------|------------------------------------|
| PCB Connector Assembly Type | PCB Mount Hermaphroditic Connector |
| Connector System | Board-to-Board |
| Sealable | No |
| Connector & Contact Terminates To | Printed Circuit Board |

Configuration Features

| | |
|------------------------------|----------|
| PCB Mount Orientation | Vertical |
| Number of Positions | 30 |
| Number of Rows | 2 |
| Board-to-Board Configuration | Parallel |

Body Features

| | |
|-----------------------|-------|
| Primary Product Color | Black |
|-----------------------|-------|

Contact Features

| | |
|--------------------------------------|----------------|
| Contact Mating Area Plating Material | Gold |
| | 15 μ m |
| Contact Type | Hermaphroditic |
| Contact Current Rating (Max) | .5 A |

Termination Features

| | |
|---|-----------------|
| Rectangular Termination Post & Tail Thickness | .15 mm[.005 in] |
|---|-----------------|



| | |
|---|----------------|
| Rectangular Termination Post & Tail Width | .2 mm[.008 in] |
| Termination Method to Printed Circuit Board | Surface Mount |

Mechanical Attachment

| | |
|--------------------------|----------------|
| PCB Mount Alignment Type | Locating Posts |
| PCB Mount Retention Type | Solder Peg |
| Mating Alignment | With |
| Mating Alignment Type | Polarization |
| PCB Mount Retention | Without |
| PCB Mount Alignment | With |
| Connector Mounting Type | Board Mount |

Housing Features

| | |
|--------------------|---------------|
| Centerline (Pitch) | .5 mm[.02 in] |
| Housing Material | Thermoplastic |

Dimensions

| | |
|--------------|---------------|
| Stack Height | 4 mm[.157 in] |
|--------------|---------------|

Usage Conditions

| | |
|-----------------------------|----------------------------|
| Operating Temperature Range | -40 – 125 °C[-40 – 257 °F] |
|-----------------------------|----------------------------|

Operation/Application

| | |
|--------------------------|----------------------|
| Assembly Process Feature | Pick and Place Cover |
| Circuit Application | Signal |

Industry Standards

| | |
|------------------------|----------|
| UL Flammability Rating | UL 94V-0 |
|------------------------|----------|

Packaging Features

| | |
|----------------|-------------|
| Packaging Type | Tape & Reel |
|----------------|-------------|

Product Compliance

[For compliance documentation, visit the product page on TE.com>](#)

| | |
|---|--|
| EU RoHS Directive 2011/65/EU | Compliant |
| EU ELV Directive 2000/53/EC | Compliant |
| China RoHS 2 Directive MIIT Order No 32, 2016 | No Restricted Materials Above Threshold |
| EU REACH Regulation (EC) No. 1907/2006 | Current ECHA Candidate List: JUNE 2023 (235) |



Candidate List Declared Against: JUNE 2023 (235)

Does not contain REACH SVHC

| | |
|---------------------------|---|
| Halogen Content | Low Halogen - Br, Cl, F, I < 900 ppm per homogenous material. Also BFR/CFR/PVC Free |
| Solder Process Capability | Reflow solder capable to 260°C |

Product Compliance Disclaimer

This information is provided based on reasonable inquiry of our suppliers and represents our current actual knowledge based on the information they provided. This information is subject to change. The part numbers that TE has identified as EU RoHS compliant have a maximum concentration of 0.1% by weight in homogenous materials for lead, hexavalent chromium, mercury, PBB, PBDE, DBP, BBP, DEHP, DIBP, and 0.01% for cadmium, or qualify for an exemption to these limits as defined in the Annexes of Directive 2011/65/EU (RoHS2). Finished electrical and electronic equipment products will be CE marked as required by Directive 2011/65/EU. Components may not be CE marked. Additionally, the part numbers that TE has identified as EU ELV compliant have a maximum concentration of 0.1% by weight in homogenous materials for lead, hexavalent chromium, and mercury, and 0.01% for cadmium, or qualify for an exemption to these limits as defined in the Annexes of Directive 2000/53/EC (ELV). Regarding the REACH Regulation, the information TE provides on SVHC in articles for this part number is based on the latest European Chemicals Agency (ECHA) 'Guidance on requirements for substances in articles' posted at this URL: <https://echa.europa.eu/guidance-documents/guidance-on-reach>

Compatible Parts



TE Part # 2291283-1
0.5MM FPH BTB, 4H/30POS/15U/TR /WB/B



TE Part # 2291283-2
0.5MM FPH BTB, 4H/30POS/15U/TR /WOB/B

Customers Also Bought



TE Part #1717254-4
EMBOSS ASSY DDR2 SODIMM SOCKET 200P 5.2H



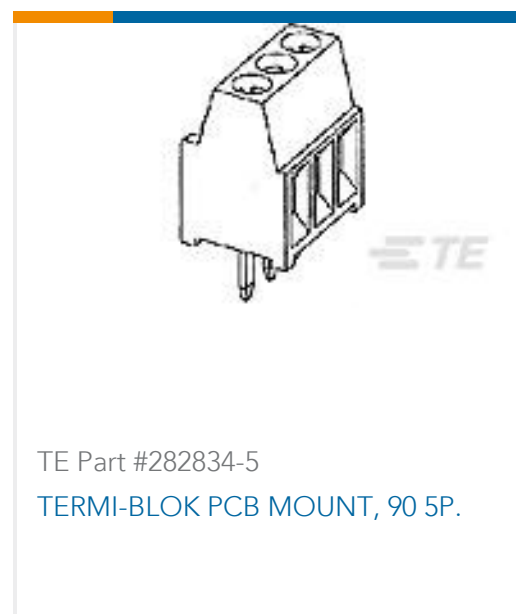
TE Part #2-1734592-5
FPC CONN. 0.5MM PITCH B/C, 25P



TE Part #5650947-5
ASSY,PIN,EUROCARD,TYPE C,LEAD-



TE Part #2-1393219-2
PE514024



Documents

Product Drawings

0.5MM FPH BTB, 4H/30POS/15U/TR/WB/B

English

CAD Files

3D PDF

3D

Customer View Model

[ENG_CVM_CVM_2291283-1_A.2d_dxf.zip](#)

English

Customer View Model

[ENG_CVM_CVM_2291283-1_A.3d_igs.zip](#)

English

Customer View Model

[ENG_CVM_CVM_2291283-1_A.3d_stp.zip](#)

English

By downloading the CAD file I accept and agree to the [Terms and Conditions](#) of use.

Datasheets & Catalog Pages

[1-1773721-3_0.5mm_FinePitch_Hermahroditic_BtB_Connector_flyer](#)

English

Product Specifications

[Application Specification](#)

English