

2286117-1 ✓ ACTIVE

## MULTIGIG RT 2-R

TE Internal #: 2286117-1

TE Internal Description: MULTIGIG RT2-R,DC, SPACE VPX-MODULE 16A

[View on TE.com >](#)



### Product Compliance

[For compliance documentation, visit the product page on TE.com>](#)

EU RoHS Directive 2011/65/EU	Not Compliant
EU ELV Directive 2000/53/EC	Compliant with Exemptions
China RoHS 2 Directive MIIT Order No 32, 2016	Restricted Materials Above Threshold
EU REACH Regulation (EC) No. 1907/2006	Current ECHA Candidate List: JUNE 2023 (235) Candidate List Declared Against: JAN 2020 (205) Does not contain REACH SVHC
Halogen Content	BFR/CFR/PVC Free, but Br/Cl >900 ppm in other sources.
Solder Process Capability	Not applicable for solder process capability

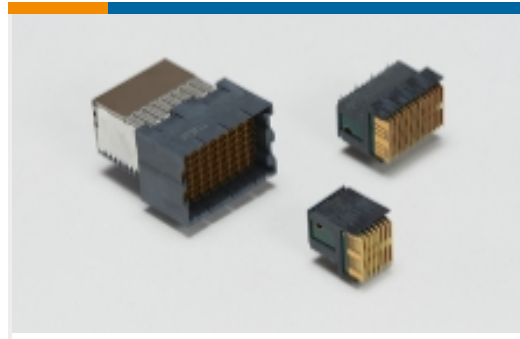
#### Product Compliance Disclaimer

This information is provided based on reasonable inquiry of our suppliers and represents our current actual knowledge based on the information they provided. This information is subject to change. The part numbers that TE has identified as EU RoHS compliant have a maximum concentration of 0.1% by weight in homogenous materials for lead, hexavalent chromium, mercury, PBB, PBDE, DBP, BBP, DEHP, DIBP, and 0.01% for cadmium, or qualify for an exemption to these limits as defined in the Annexes of Directive 2011/65/EU (RoHS2). Finished electrical and electronic equipment products will be CE marked as required by Directive 2011/65/EU. Components may not be CE marked. Additionally, the part numbers that TE has identified as EU ELV compliant have a maximum concentration of 0.1% by weight in homogenous materials for lead, hexavalent chromium, and mercury, and 0.01% for cadmium, or qualify for an exemption to these limits as defined in the Annexes of Directive 2000/53/EC (ELV). Regarding the REACH Regulation, the information TE provides on SVHC in articles for this part number is based on the latest European Chemicals Agency (ECHA) 'Guidance on requirements for substances in articles' posted at this URL: <https://echa.europa.eu/guidance-documents/guidance-on-reach>

### Also in the Series | [MULTIGIG RT 2-R](#)



Backplane Guide Hardware(18)



High Speed Backplane Connectors(27)

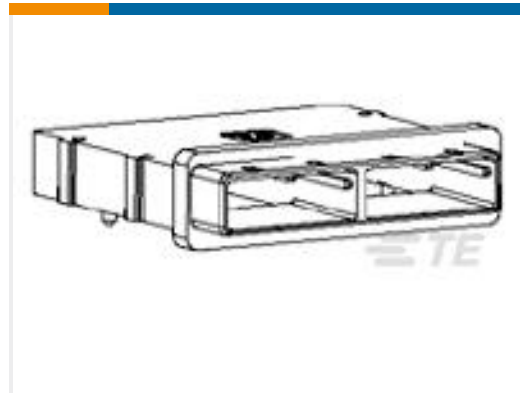
## Customers Also Bought



TE Part #5-1614352-1  
RN 0603 2K0 0.1% 10PPM CUT LENGTH



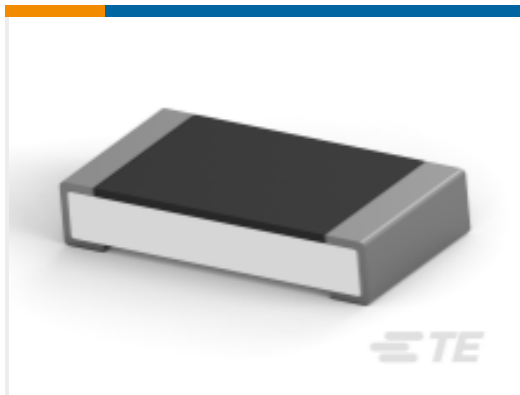
TE Part #3-1879337-0  
CPF 0603 4K99 1% 50PPM 1K RL



TE Part #1888321-2  
Shielded Receptacle Assembly,



TE Part #2-2176337-6  
CRGCO 0402 1K2 1%



TE Part #5-2176388-7  
RQ 1206 38R3 0.1% 10PPM 5K RL



TE Part #2286250-1  
MULTIGIG RT 2-R. 7RW



TE Part #2286118-1  
MULTIGIG RT2-R,DC, SPACE VPX-MODULE 16B

## Documents

### Product Drawings

MULTIGIG RT2-R,DC, SPACE VPX-MODULE 16A

English

### Product Specifications

Product Specification

English