

# 2284170-1 ✓ ACTIVE

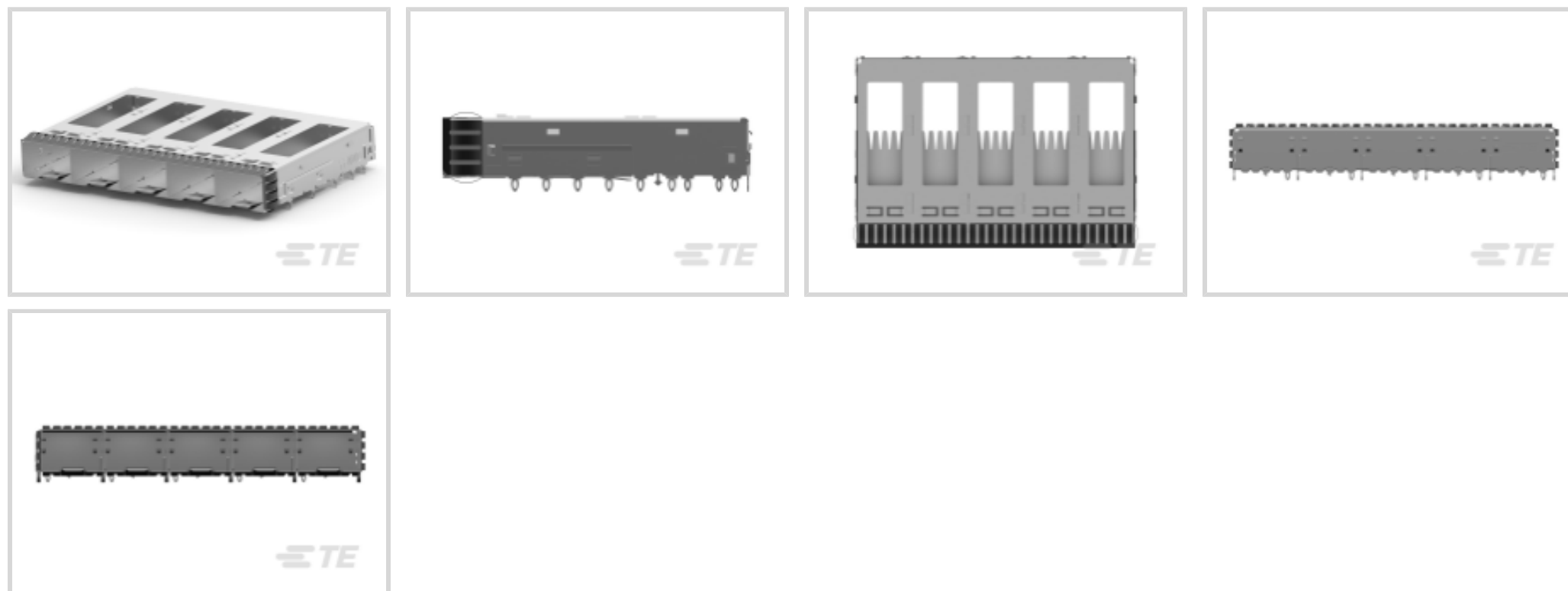


TE Internal #: 2284170-1

SFP, SFP+ & zSFP+, Cage, Data Rate (Max) 16 Gb/s, Internal /External EMI Springs, SFP+ Enhanced, Not Optional, 1 x 5, Through Hole - Press-Fit, 5 Port

[View on TE.com >](#)

Connectors > Pluggable IO Connectors & Cages > SFP, SFP+ & zSFP+



Pluggable I/O Product Type: **Cage**

Data Rate (Max): **16 Gb/s**

EMI Containment Feature Type: **Internal/External EMI Springs**

Pluggable I/O Applications: **SFP+ Enhanced**

Lightpipe Options: **Not Optional**

## Features

### Product Type Features

Form Factor	SFP+
Cage Type	Single
Pluggable I/O Product Type	Cage
Lightpipe Options	Not Optional
Connector System	Cable-to-Board
Sealable	No
Connector & Contact Terminates To	Printed Circuit Board

### Configuration Features

Port Matrix Configuration	1 x 5
Number of Ports	5

### Electrical Characteristics

Data Rate (Max)	16 Gb/s
-----------------	---------

### Contact Features

Tail Plating Material	Tin
-----------------------	-----



### Termination Features

Termination Post & Tail Length	2.05 mm[.081 in]
Termination Method to Printed Circuit Board	Through Hole - Press-Fit

### Mechanical Attachment

Connector Mounting Type	Board Mount
-------------------------	-------------

### Housing Features

Cage Material	Nickel Silver
---------------	---------------

### Dimensions

PCB Thickness (Recommended)	1.5 mm[.059 in]
-----------------------------	-----------------

### Usage Conditions

Operating Temperature Range	-55 – 105 °C[-67 – 221 °F]
-----------------------------	----------------------------

### Operation/Application

Heat Sink Compatible	Yes
For Use With Pluggable I/O Products	SFP+ SMT Connector
Pluggable I/O Applications	SFP+ Enhanced

### Packaging Features

Packaging Method	Tray
------------------	------

### Other

EMI Containment Feature Type	Internal/External EMI Springs
------------------------------	-------------------------------

### Product Compliance

[For compliance documentation, visit the product page on TE.com>](#)

EU RoHS Directive 2011/65/EU	Compliant
EU ELV Directive 2000/53/EC	Compliant
China RoHS 2 Directive MIIT Order No 32, 2016	No Restricted Materials Above Threshold
EU REACH Regulation (EC) No. 1907/2006	Current ECHA Candidate List: JUNE 2023 (235) Candidate List Declared Against: JUNE 2023 (235) Does not contain REACH SVHC
Halogen Content	Low Halogen - Br, Cl, F, I < 900 ppm per homogenous material. Also BFR/CFR/PVC Free
Solder Process Capability	Not applicable for solder process capability



Product Compliance Disclaimer

This information is provided based on reasonable inquiry of our suppliers and represents our current actual knowledge based on the information they provided. This information is subject to change. The part numbers that TE has identified as EU RoHS compliant have a maximum concentration of 0.1% by weight in homogenous materials for lead, hexavalent chromium, mercury, PBB, PBDE, DBP, BBP, DEHP, DIBP, and 0.01% for cadmium, or qualify for an exemption to these limits as defined in the Annexes of Directive 2011/65/EU (RoHS2). Finished electrical and electronic equipment products will be CE marked as required by Directive 2011/65/EU. Components may not be CE marked. Additionally, the part numbers that TE has identified as EU ELV compliant have a maximum concentration of 0.1% by weight in homogenous materials for lead, hexavalent chromium, and mercury, and 0.01% for cadmium, or qualify for an exemption to these limits as defined in the Annexes of Directive 2000/53/EC (ELV). Regarding the REACH Regulation, the information TE provides on SVHC in articles for this part number is based on the latest European Chemicals Agency (ECHA) 'Guidance on requirements for substances in articles' posted at this URL: <https://echa.europa.eu/guidance-documents/guidance-on-reach>

### Compatible Parts



TE Part # CAT-C11-N490333  
QSFP28-Four SFP+ Cable Assembly: 30 AWG



TE Part # CAT-C11-N490325  
QSFP28-Four SFP+ Cable Assembly: 26 AWG



TE Part # CAT-C11-N4901114  
SFP28 to SFP28 Cable Assembly: 30 AWG



TE Part # CAT-C11-N49011  
SFP28 to SFP28 Cable Assembly: 26 AWG



TE Part # CAT-Q17-N49011  
QSFP56-Four SFP56 Cable Assembly: 30 AWG



TE Part # CAT-Q17-N490333  
QSFP56-Four SFP56 Cable Assembly: 26 AWG



TE Part # 4-2821222-5  
SFP56 DIRECT ATTACH CA, 2M, 30AWG



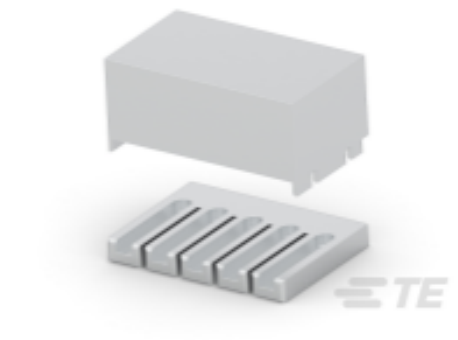
TE Part # 4-2821224-5  
SFP56 DIRECT ATTACH CA, 3M, 26AWG



TE Part # 4-2334985-2  
SFP56 DIRECT ATTACH CA, 1M, 32AWG



TE Part # 2334985-2  
SFP28 DIRECT ATTACH CA, 1M, 32AWG



TE Part # 2018002-6  
KIT, SEATING TOOL, SFP+, 1X5



TE Part # 2215058-5  
ASSY, EXTRACT TL, SFP+ 1X5

### Customers Also Bought



TE Part #414963-1  
SMB PCB R/A JACK



TE Part #5-87165-2  
LOCKING CLIP ASSY .025 SQ LP



TE Part #350793-3  
04P UMNL PIN HDR ASSY 94VO LF



TE Part #173924-1  
2 P ACTION PIN UMNL



TE Part #1376164-1  
BATTERY HOLDER ML621 ASSY



TE Part #2178410-1  
CROWN CLIP JUNIOR CONN



TE Part #2-111623-6  
50, 2MM, POL, 30 DP, LEAD FREE



TE Part #2170668-1  
ANGLED ENTRY JACK, SHIELDED RJ45



TE Part #2170358-1  
INV MJ, 1X2, PNL GRD, SHLD

## Documents

### Product Drawings

[SFP+ ENHANCED 1X5 CAGE ASSEMBLY PRESS FI](#)

English

### CAD Files

[3D PDF](#)

3D

Customer View Model

[ENG\\_CVM\\_CVM\\_2284170-1\\_A.2d\\_dxf.zip](#)

English

Customer View Model

[ENG\\_CVM\\_CVM\\_2284170-1\\_A.3d\\_igs.zip](#)

English

Customer View Model

[ENG\\_CVM\\_CVM\\_2284170-1\\_A.3d\\_stp.zip](#)

English

By downloading the CAD file I accept and agree to the [Terms and Conditions](#) of use.

### Datasheets & Catalog Pages



#### [4-1773455-3 - Quick Reference Guide SFP+ Solutions](#)

English

---

#### [Product Specifications](#)

##### [Application Specification](#)

English

---

#### [Product Environmental Compliance](#)

##### [Product Compliance](#)

English

##### [Product Compliance](#)

English