

2280381-1 ✓ ACTIVE

TE Internal #: 2280381-1

TE Internal Description: BATTERY, BT, MICRO SDE

[View on TE.com >](#)



Product Compliance

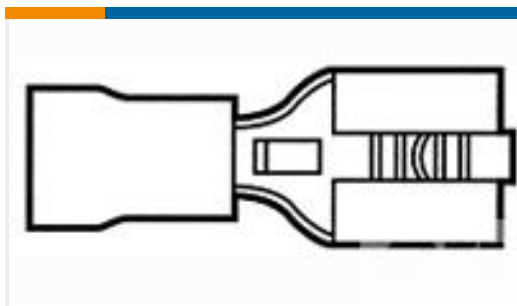
[For compliance documentation, visit the product page on TE.com>](#)

EU RoHS Directive 2011/65/EU	Out of Scope
EU ELV Directive 2000/53/EC	Out of Scope
China RoHS 2 Directive MIIT Order No 32, 2016	Not reviewed for China RoHS compliance
EU REACH Regulation (EC) No. 1907/2006	Current ECHA Candidate List: JUNE 2023 (235) Candidate List Declared Against: JAN 2021 (211) Does not contain REACH SVHC
Halogen Content	Low Halogen - Br, Cl, F, I < 900 ppm per homogenous material. Also BFR/CFR/PVC Free
Solder Process Capability	Not applicable for solder process capability

Product Compliance Disclaimer

This information is provided based on reasonable inquiry of our suppliers and represents our current actual knowledge based on the information they provided. This information is subject to change. The part numbers that TE has identified as EU RoHS compliant have a maximum concentration of 0.1% by weight in homogenous materials for lead, hexavalent chromium, mercury, PBB, PBDE, DBP, BBP, DEHP, DIBP, and 0.01% for cadmium, or qualify for an exemption to these limits as defined in the Annexes of Directive 2011/65/EU (RoHS2). Finished electrical and electronic equipment products will be CE marked as required by Directive 2011/65/EU. Components may not be CE marked. Additionally, the part numbers that TE has identified as EU ELV compliant have a maximum concentration of 0.1% by weight in homogenous materials for lead, hexavalent chromium, and mercury, and 0.01% for cadmium, or qualify for an exemption to these limits as defined in the Annexes of Directive 2000/53/EC (ELV). Regarding the REACH Regulation, the information TE provides on SVHC in articles for this part number is based on the latest European Chemicals Agency (ECHA) 'Guidance on requirements for substances in articles' posted at this URL: <https://echa.europa.eu/guidance-documents/guidance-on-reach>

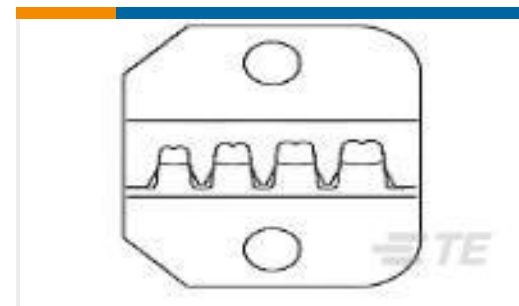
Customers Also Bought



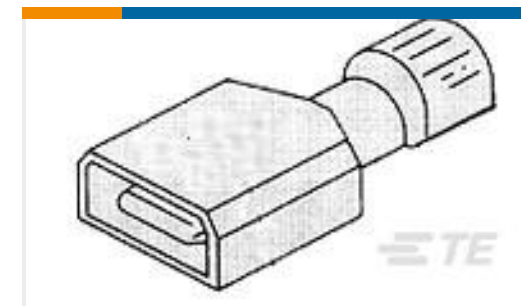
TE Part #640905-1
RECEPT,PIDG FASTON 16-14 250



TE Part #58078-3
TETRA CRIMP FRAME W/O DIES



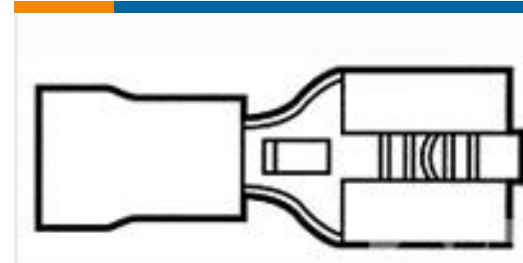
TE Part #58423-1
DIE, RBY IS9252



TE Part #2-520103-2
ULTRA-FAST 250 ASSEMBLY TAB 22-18 AWG BR



TE Part #350777-1
02P UMNL PLUG HSG



TE Part #640905-2
RECEPT,PIDG FASTON 16-14 250



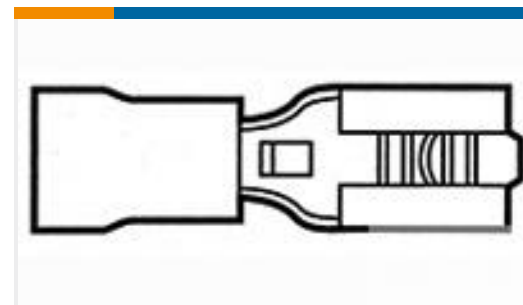
TE Part #2280380-1
KIT, BT, MICRO SDE, 110V



TE Part #90391-3
DIES ULTRA-FAST FASTON 16-14 DIE SET



TE Part #2151032-2
OCEAN_2.0_APPLICATOR-S-205D



TE Part #5-160479-2
187 PIDG FASTON REC